

**GENEO**<sup>®</sup>  
TECHNICAL INFORMATION  
DETAIL DRAWINGS



# GENEO®

## DETAIL DRAWINGS

### Table of Contents

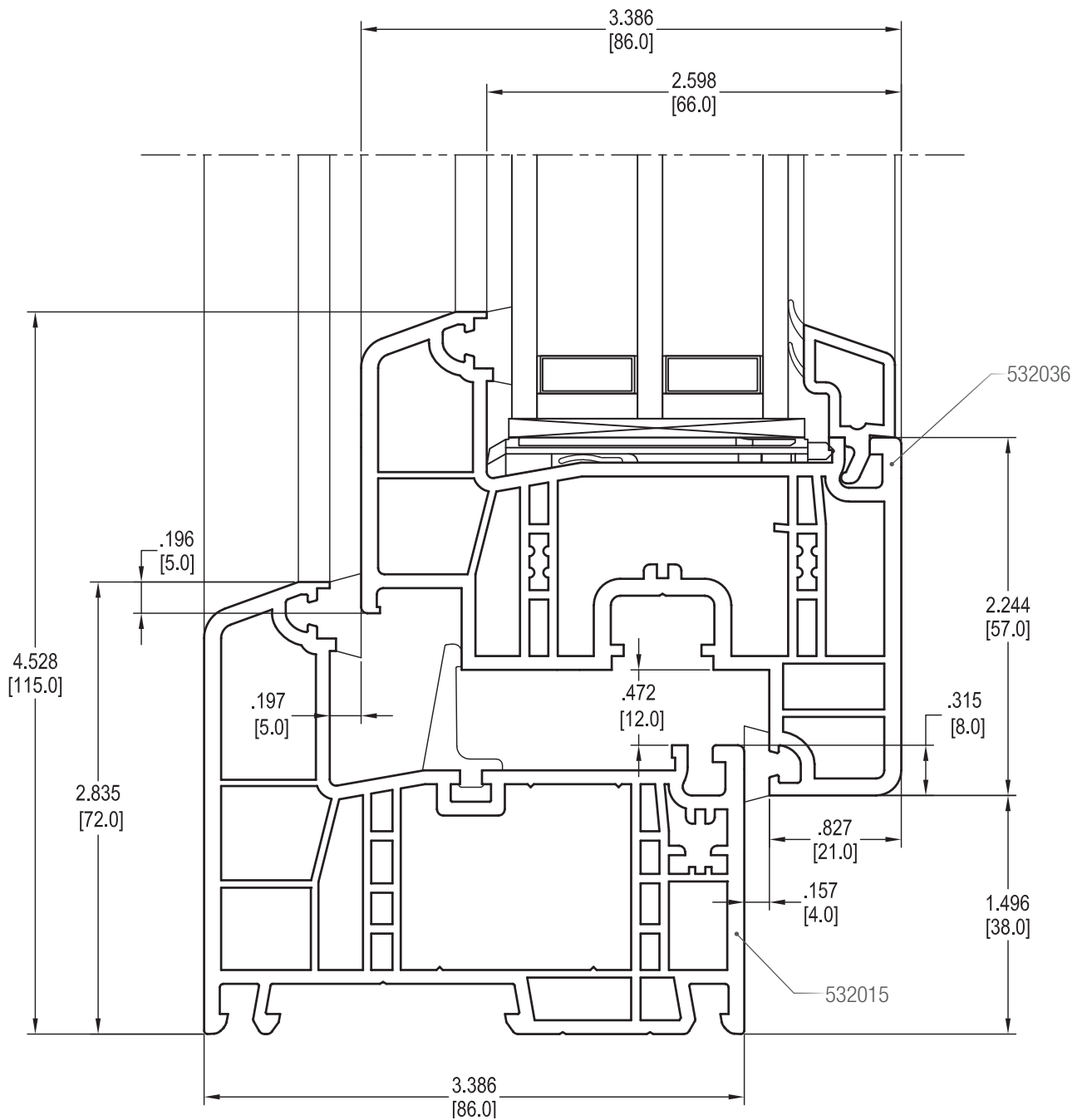
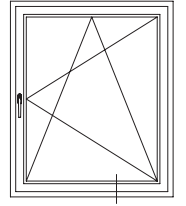
#### Detail drawings Windows

Frame 72 with Sash Z 57	2
Frame 72 with Sash Z 84	3
Frame 72 with Sash T 104	4
T-Mullion 98 with Sash Z 57	5
T-Mullion 98 with Sash Z 84	6
T-Mullion 98 with double Sash Z 57	7
Dummy Mullion with double Sash Z 57	8
T-Mullion 98 with double Sash Z 84	9
Dummy Mullion with double Sash Z 84	10
T-Mullion 126 with Sash Z 57	11
T-Mullion 126 with Sash Z 84	12
T-Mullion 126 with double Sash Z 57	13
T-Mullion 126 with double Sash Z 84	14
Frame 72 with T-Mullion 98	15
Frame 72 with T-Mullion 126	16
Frame 72 with Sash Z 57 and T-Mullion 98	17
T-Mullion 98 with double Sash T 104	18
Dummy Mullion with double Sash T 104	19
T-Mullion 126 with double Sash T 104	20
Threshold 86 with Sash Z 57, Clearance 10 mm	21
Threshold 86 with Sash Z 84, Clearance 10 mm	22
Threshold 86 with Sash Z 57 and Compensation profile	23
Threshold 86 with Sash Z 84 and Compensation profile	24
Threshold 86 with Sash T 104, Clearance 10 mm	25

# GENEO®

## DETAIL DRAWINGS

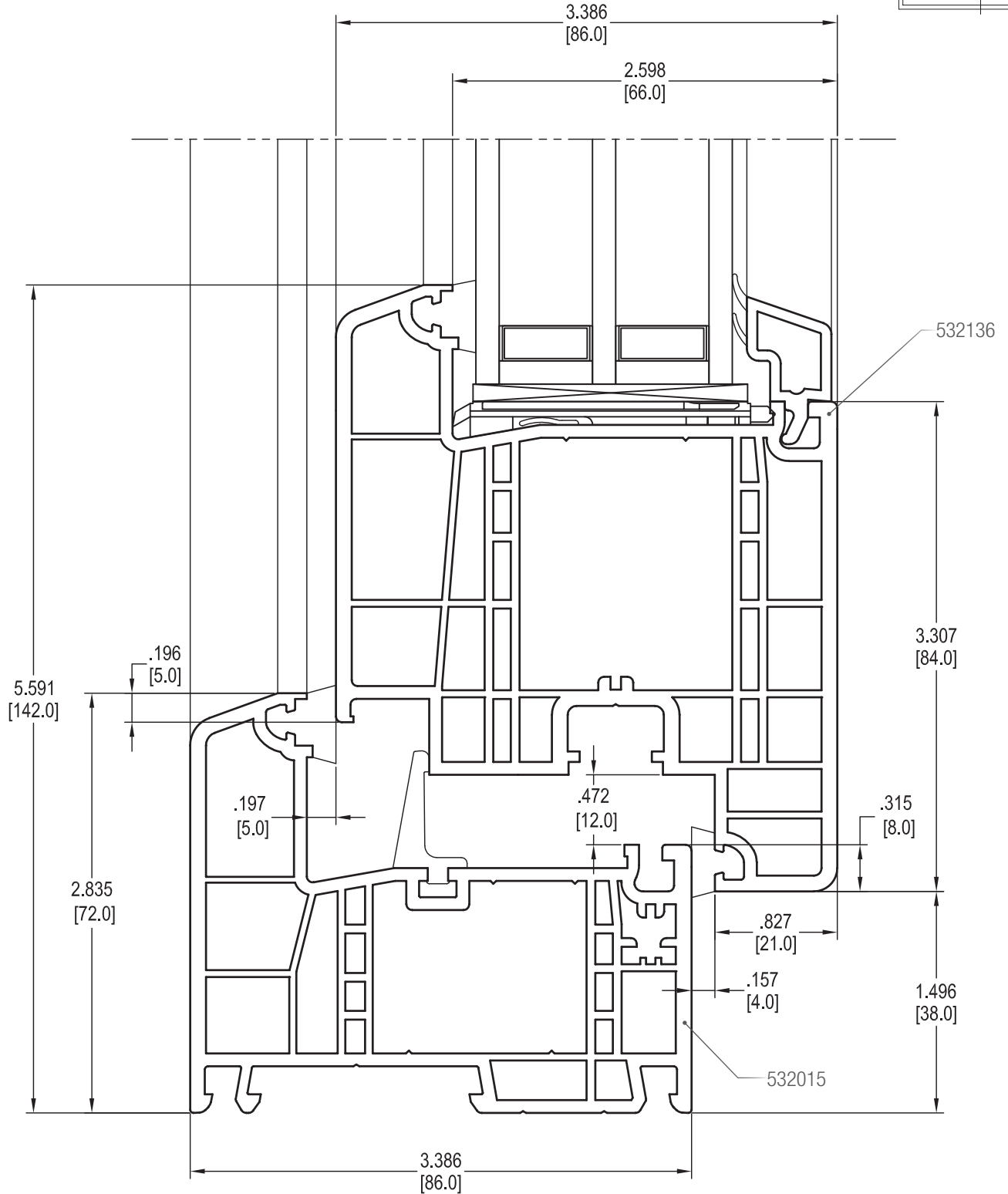
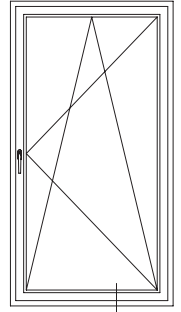
Frame 72 with Sash Z 57



# GENEO®

## DETAIL DRAWINGS

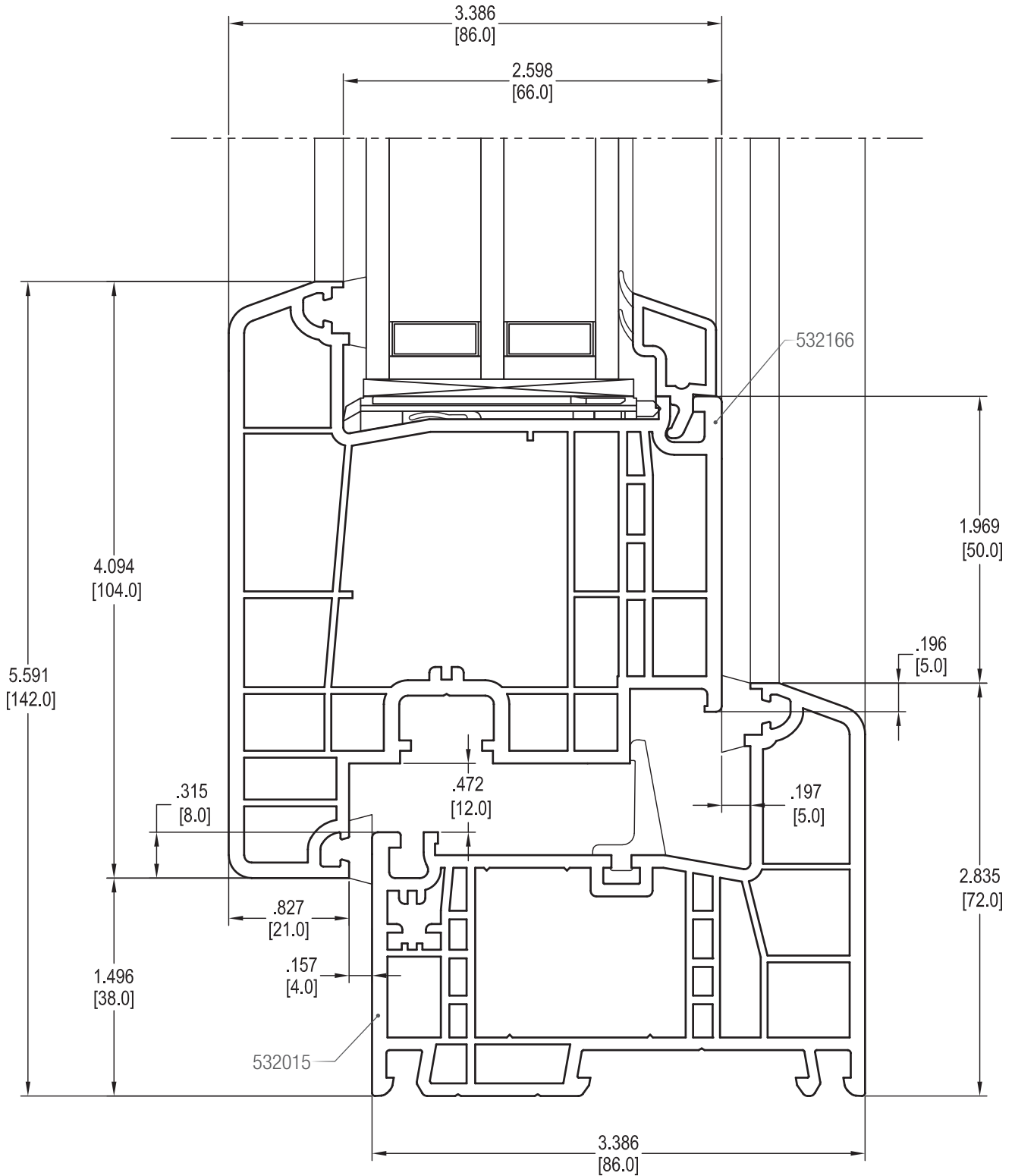
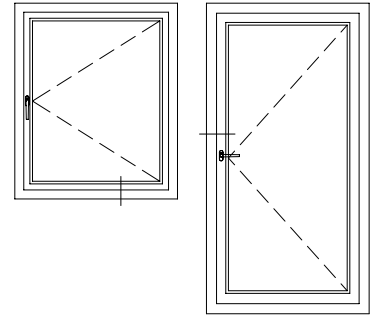
Frame 72 with Sash Z 84



# GENEO®

## DETAIL DRAWINGS

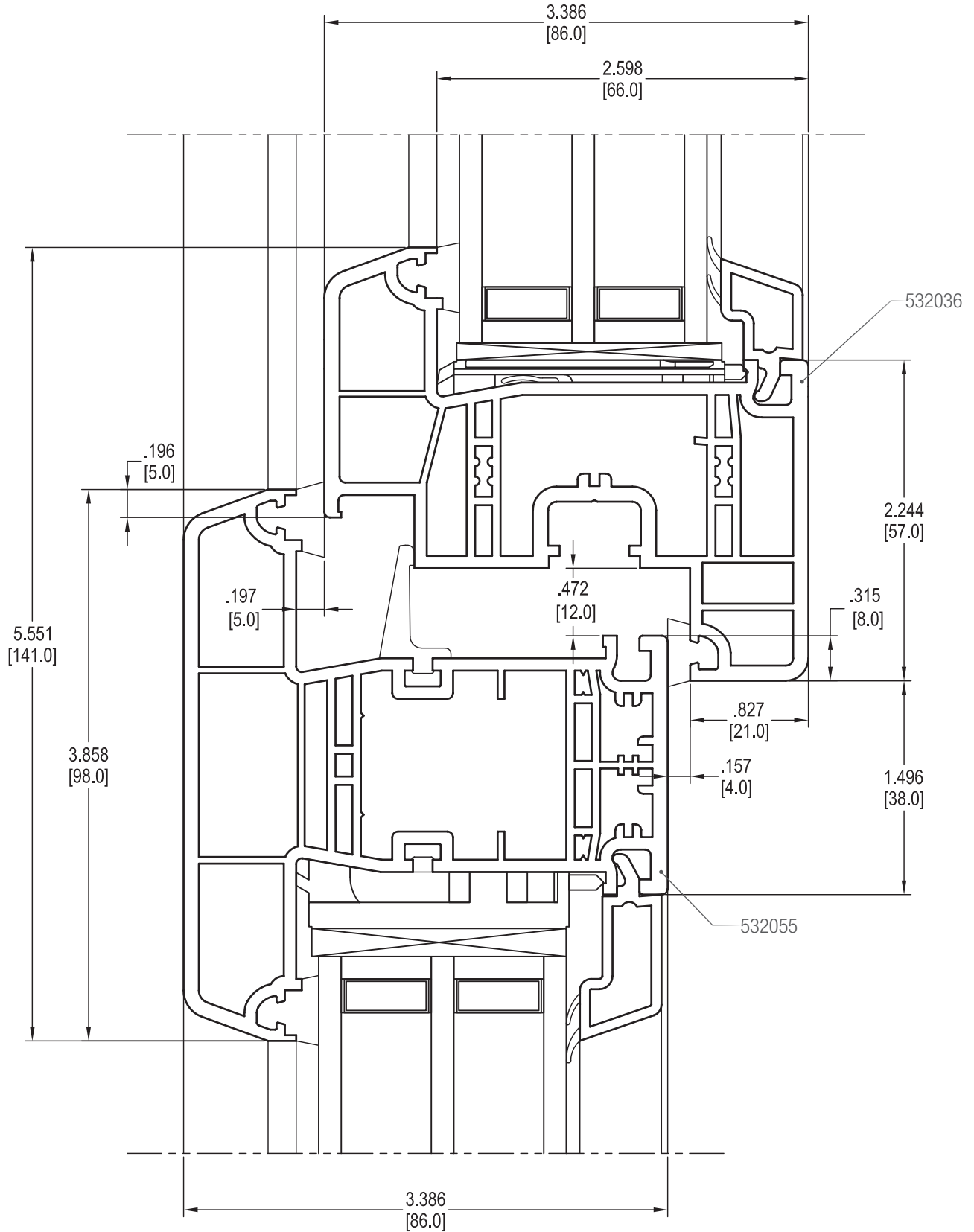
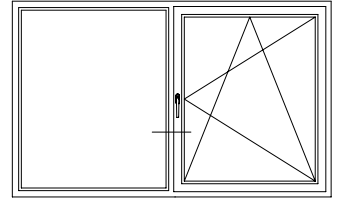
Frame 72 with Sash T 104



# GENEO®

## DETAIL DRAWINGS

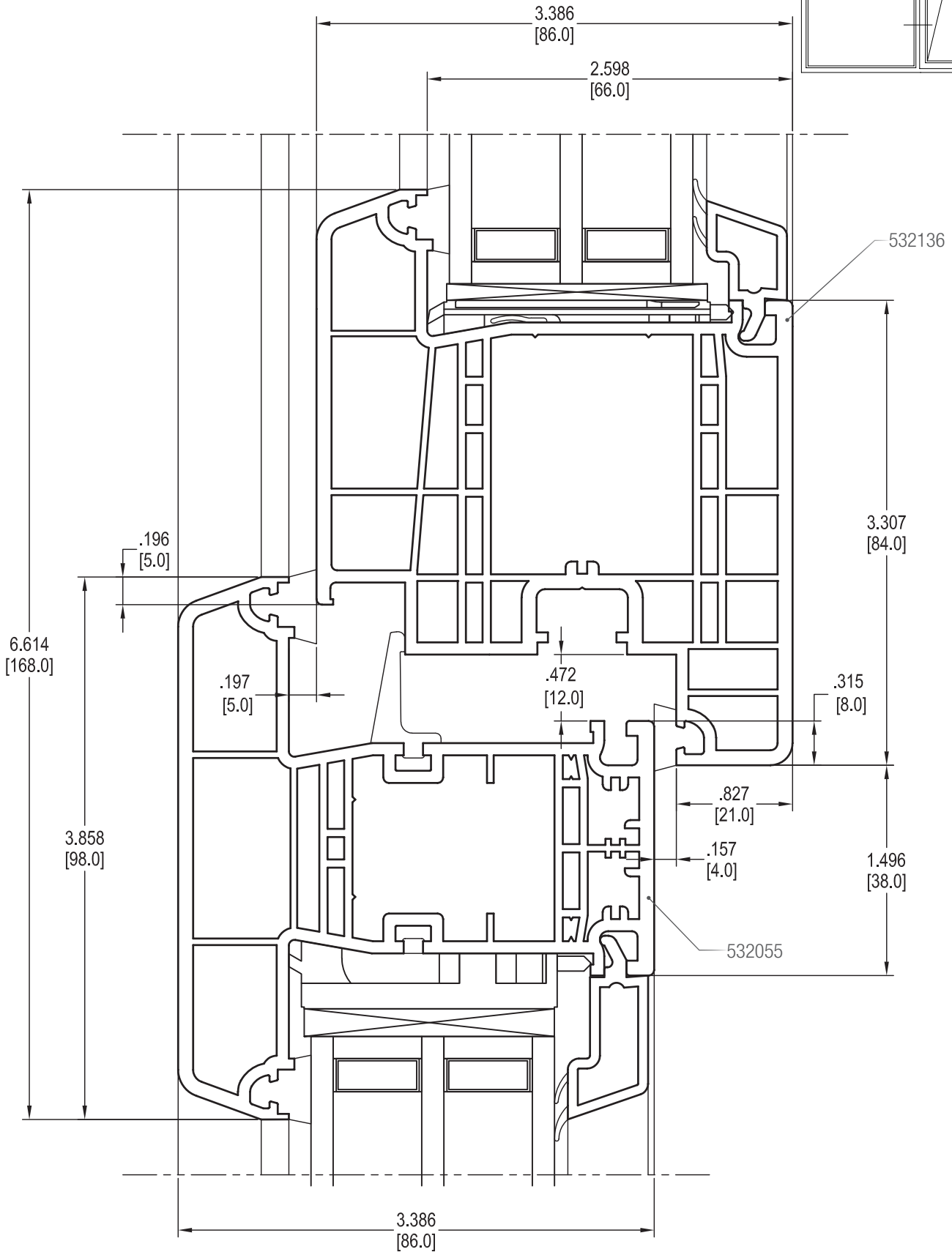
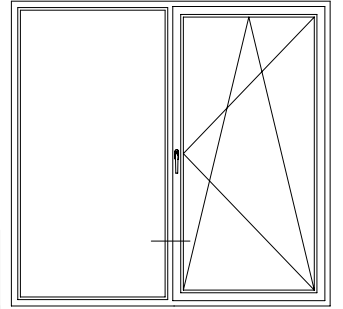
T-Mullion 98 with Sash Z 57



# GENEO®

## DETAIL DRAWINGS

T-Mullion 98 with Sash Z 84

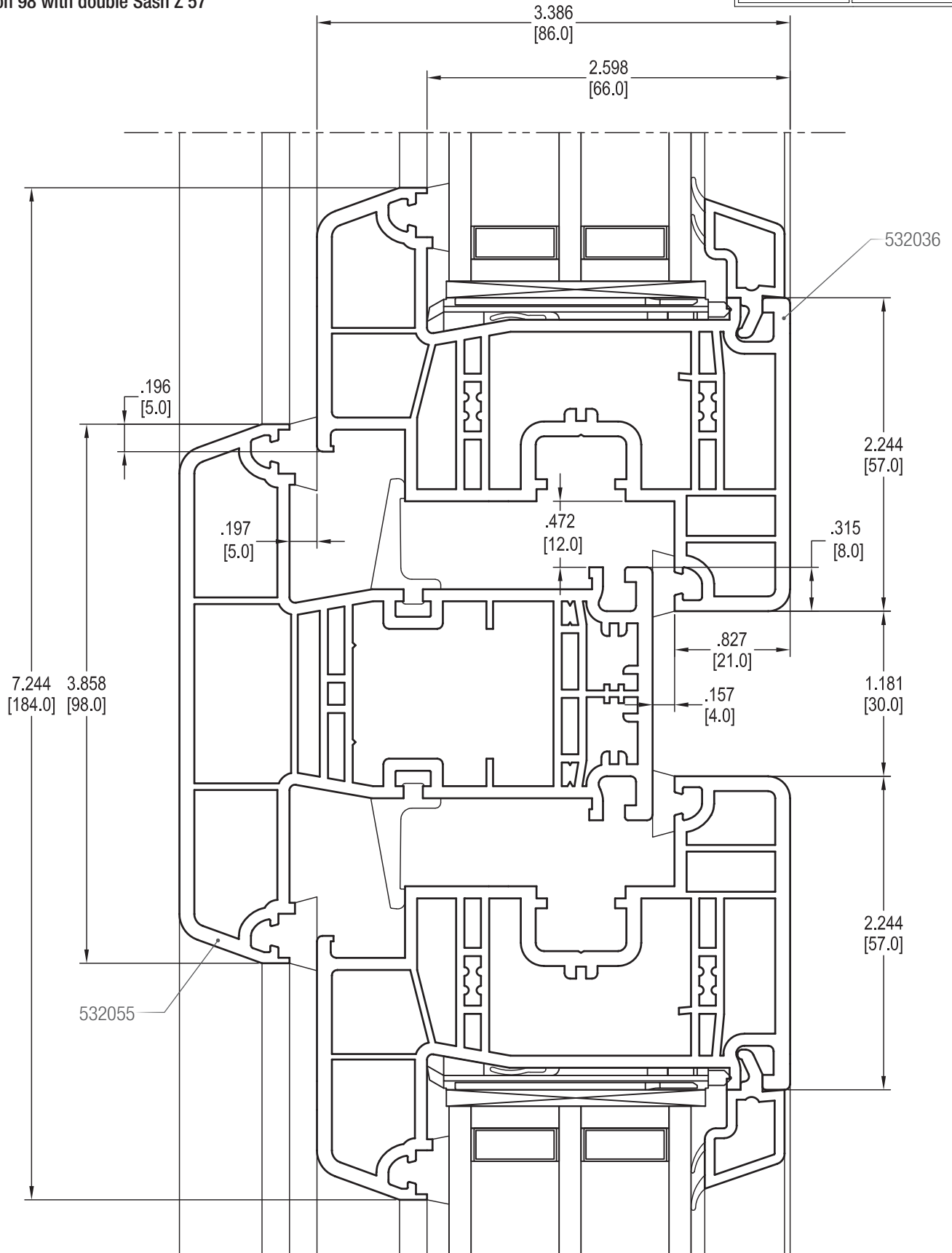
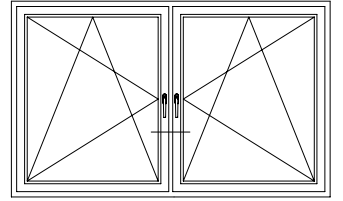




# GENEO®

## DETAIL DRAWINGS

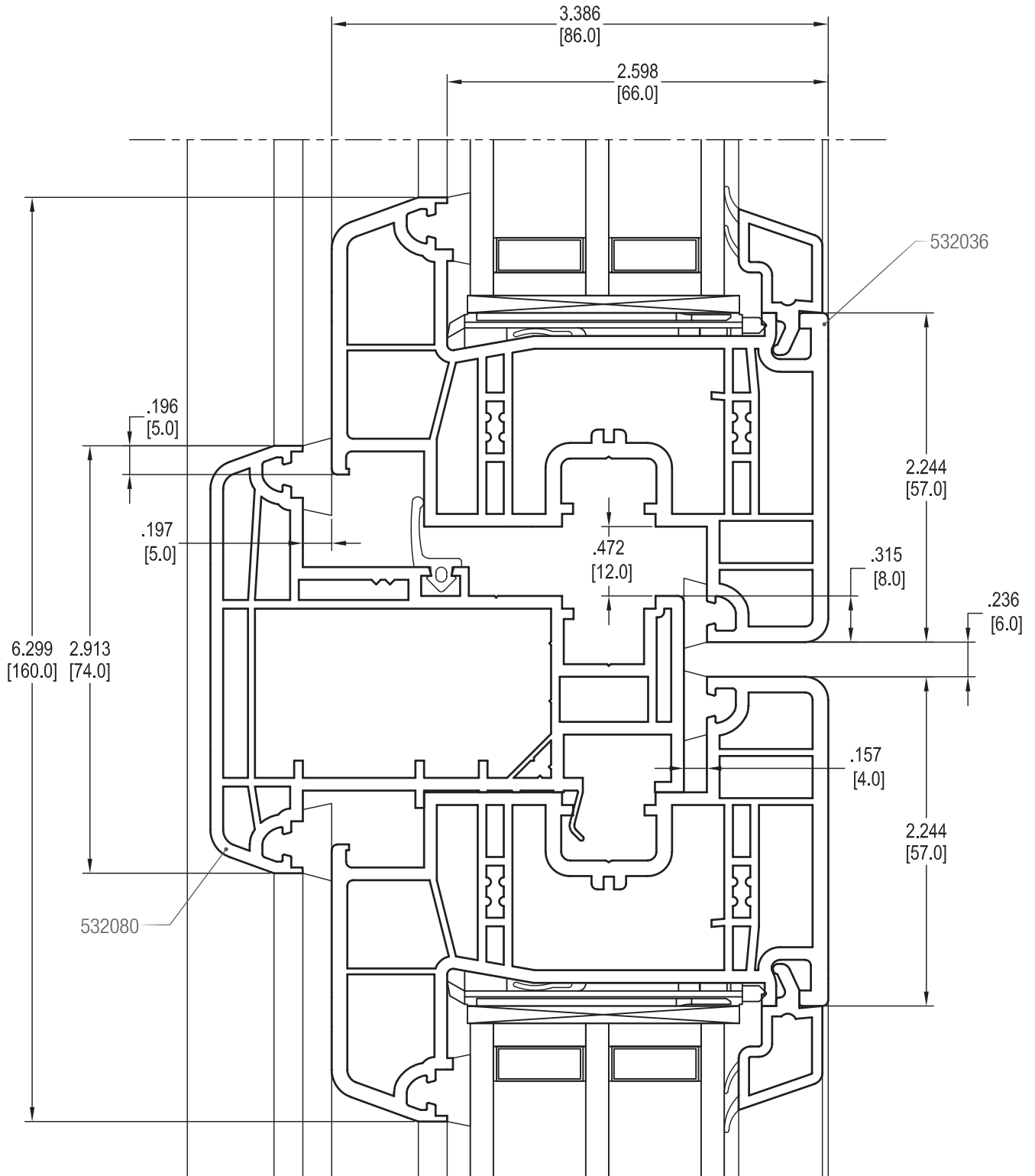
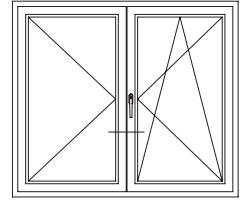
T-Mullion 98 with double Sash Z 57



# GENEO®

## DETAIL DRAWINGS

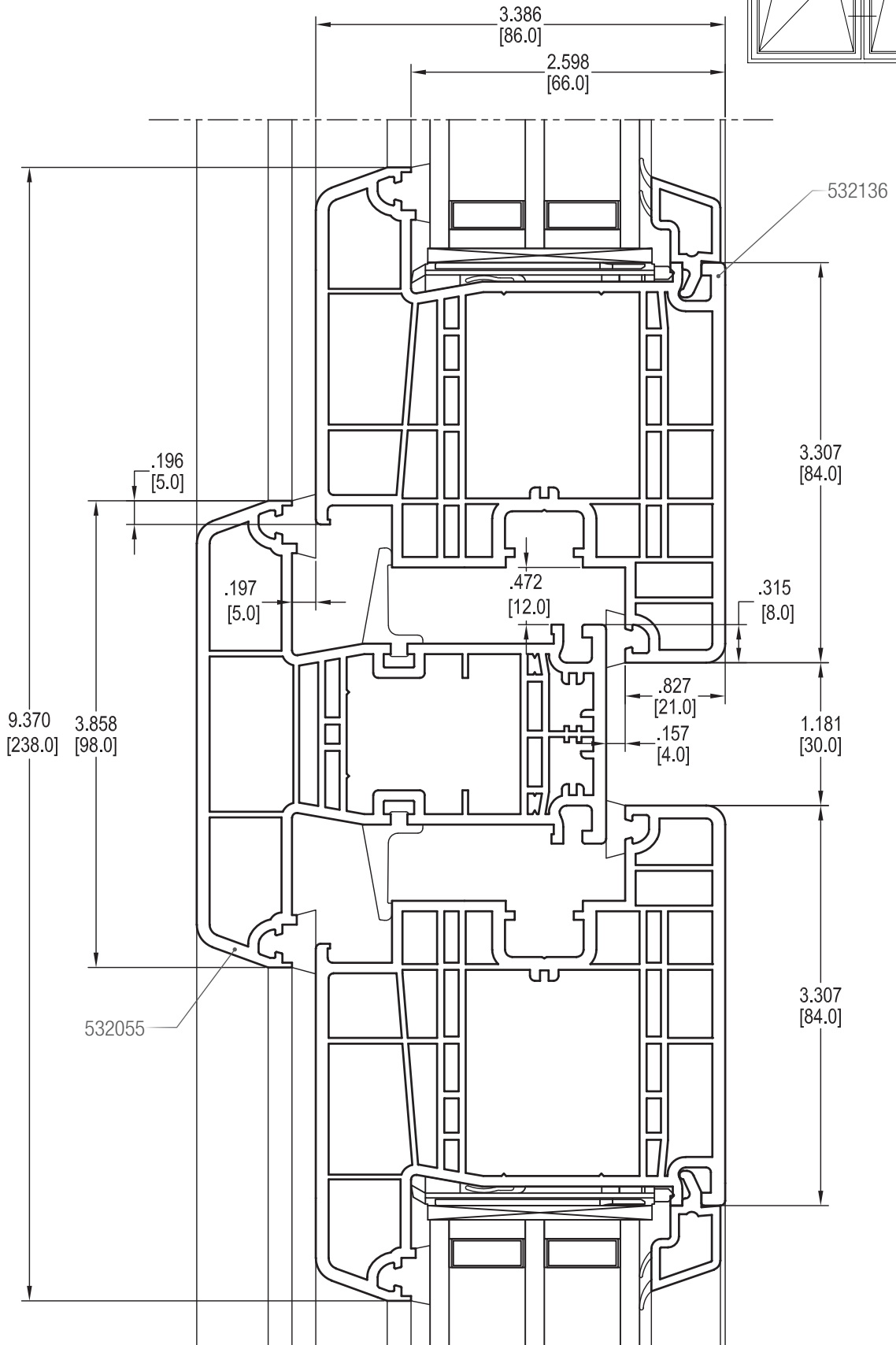
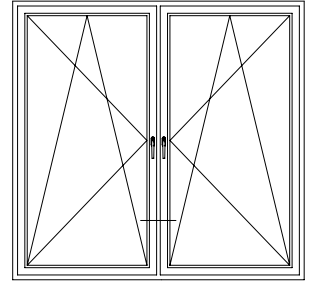
### Dummy Mullion with double Sash Z 57



# GENEO®

## DETAIL DRAWINGS

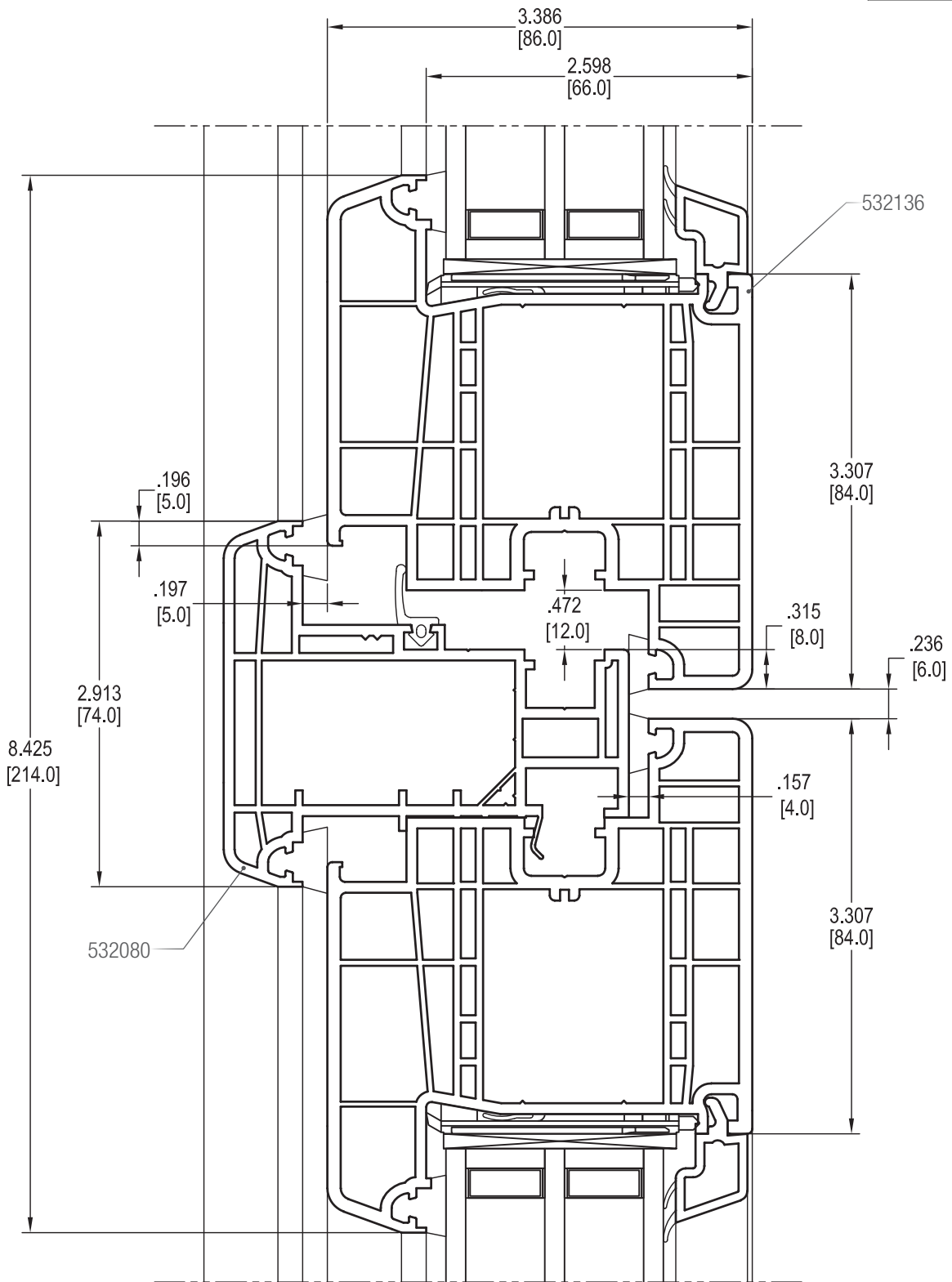
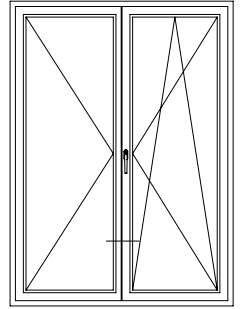
T-Mullion 98 with double Sash Z 84



# GENEO®

## DETAIL DRAWINGS

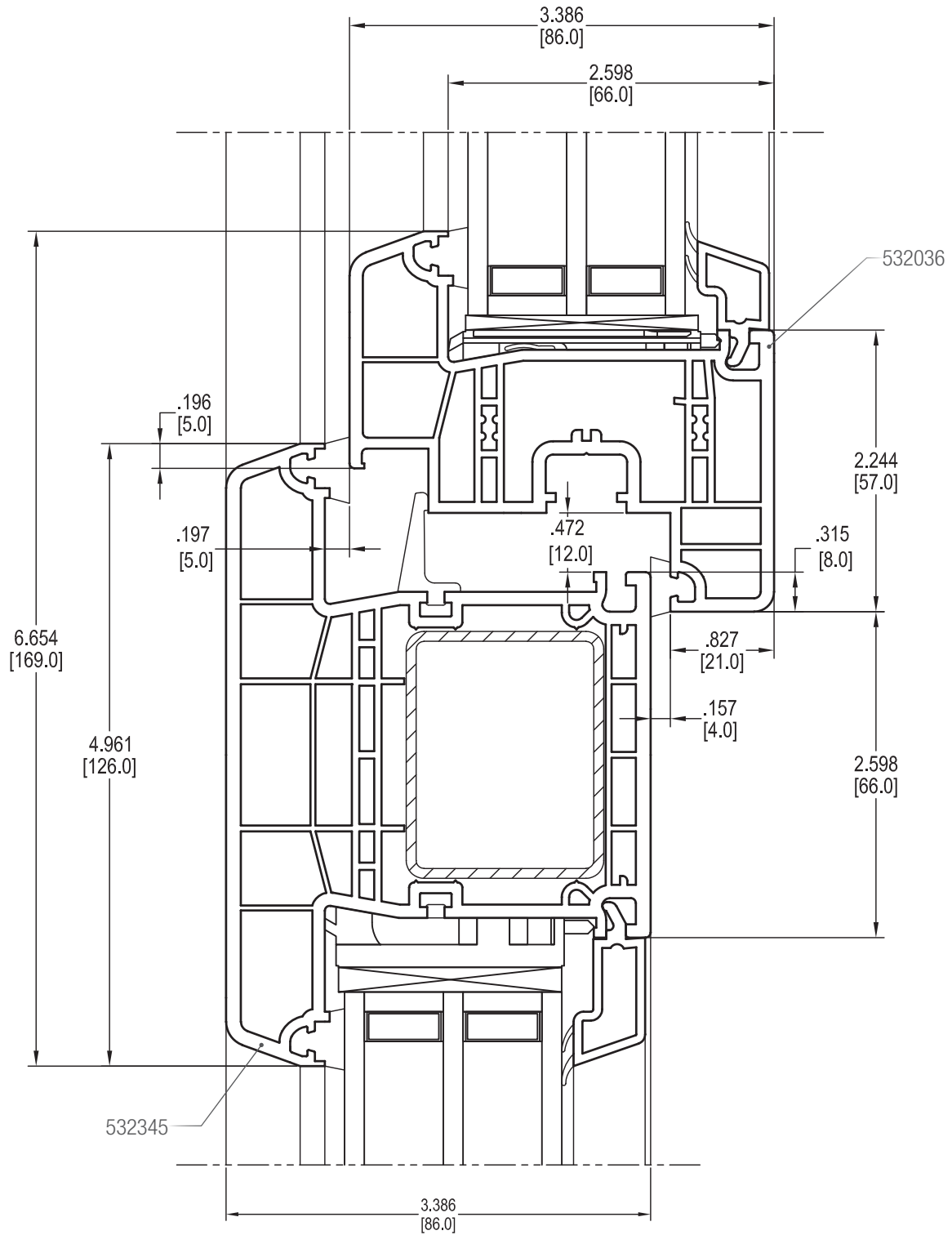
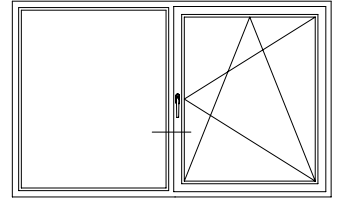
### Dummy Mullion with double Sash Z 84



# GENEO®

## DETAIL DRAWINGS

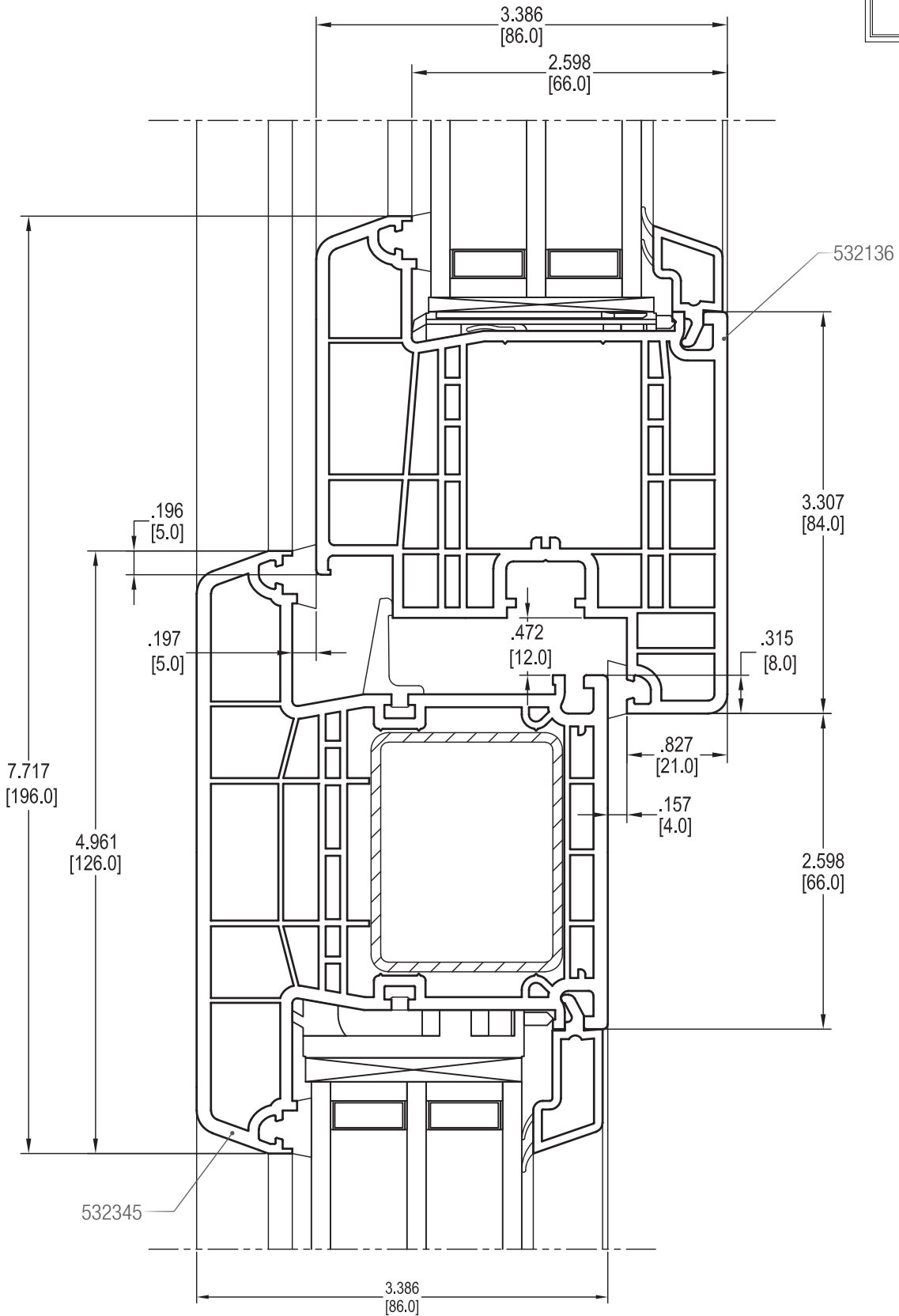
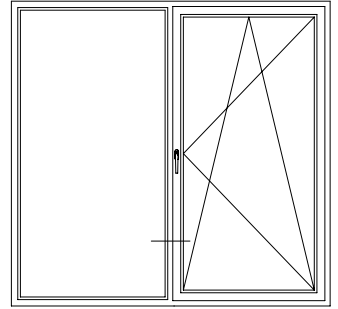
T-Mullion 126 with Sash Z 57



# GENEO®

## DETAIL DRAWINGS

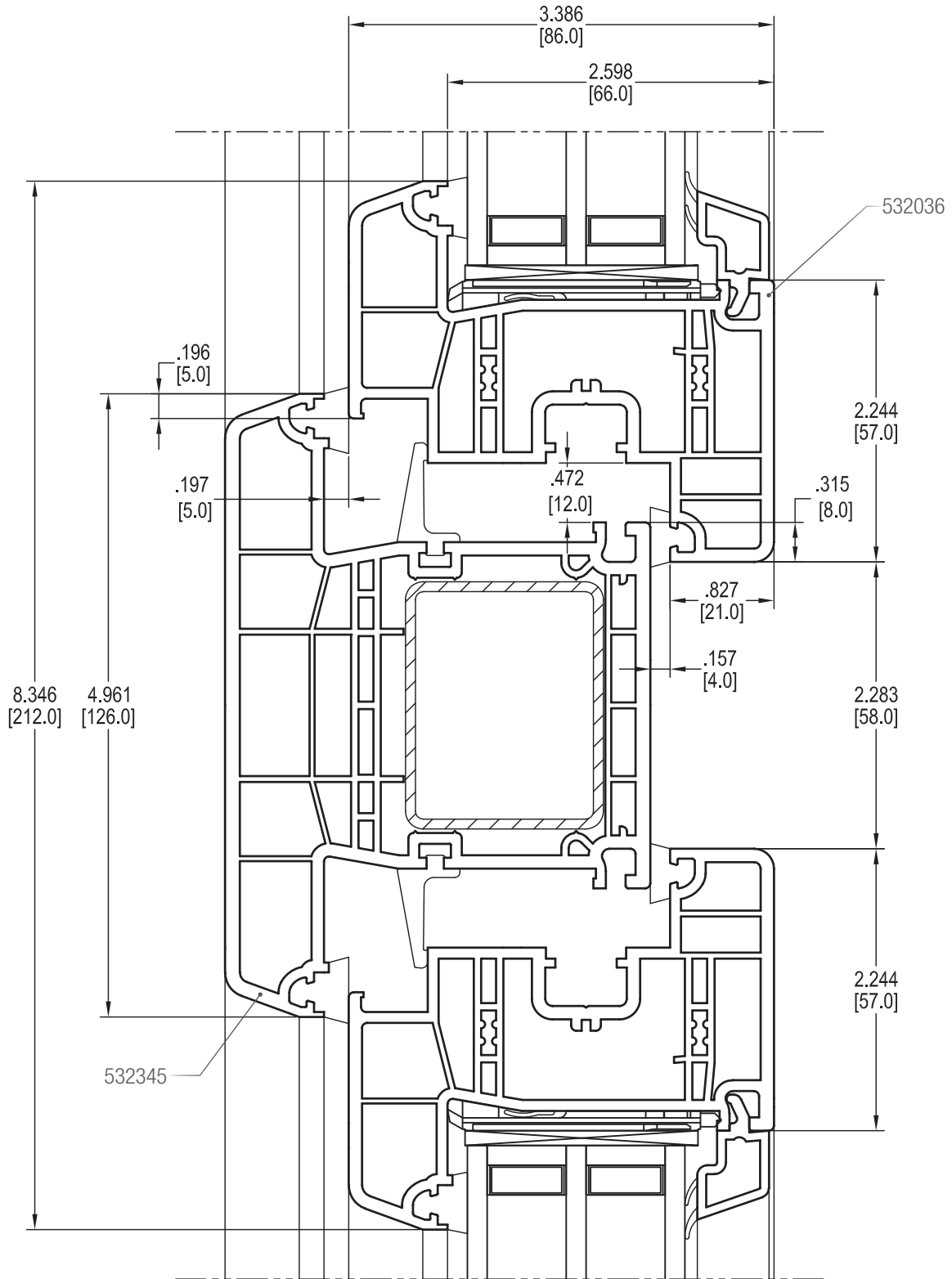
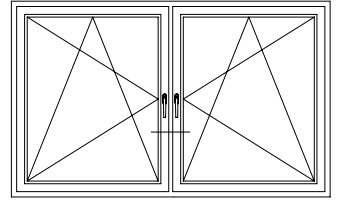
T-Mullion 126 with Sash Z 84



# GENEO®

## DETAIL DRAWINGS

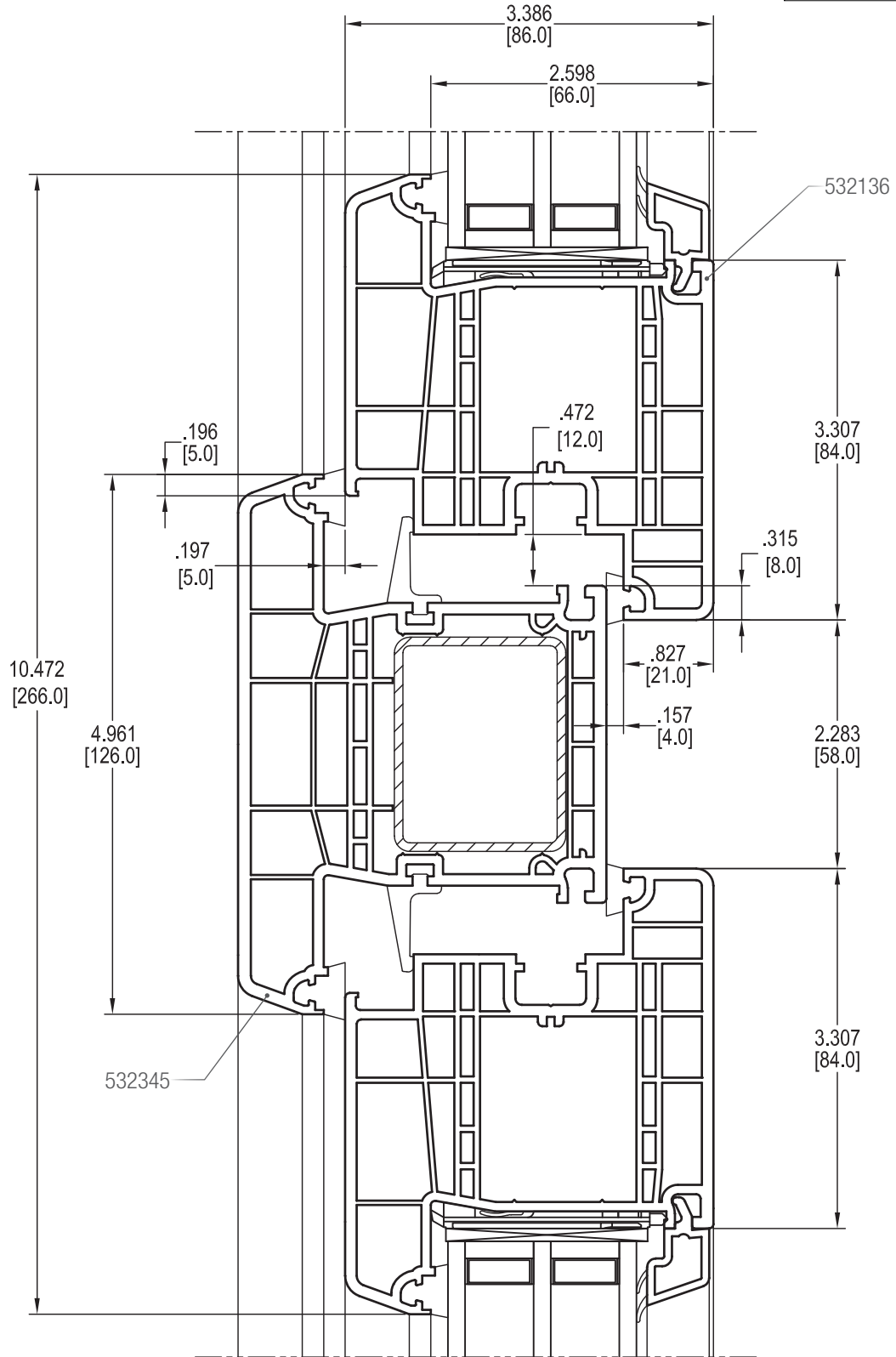
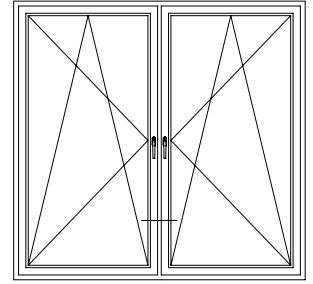
T-Mullion 126 with double Sash Z 57



# GENEO®

## DETAIL DRAWINGS

T-Mullion 126 with double Sash Z 84

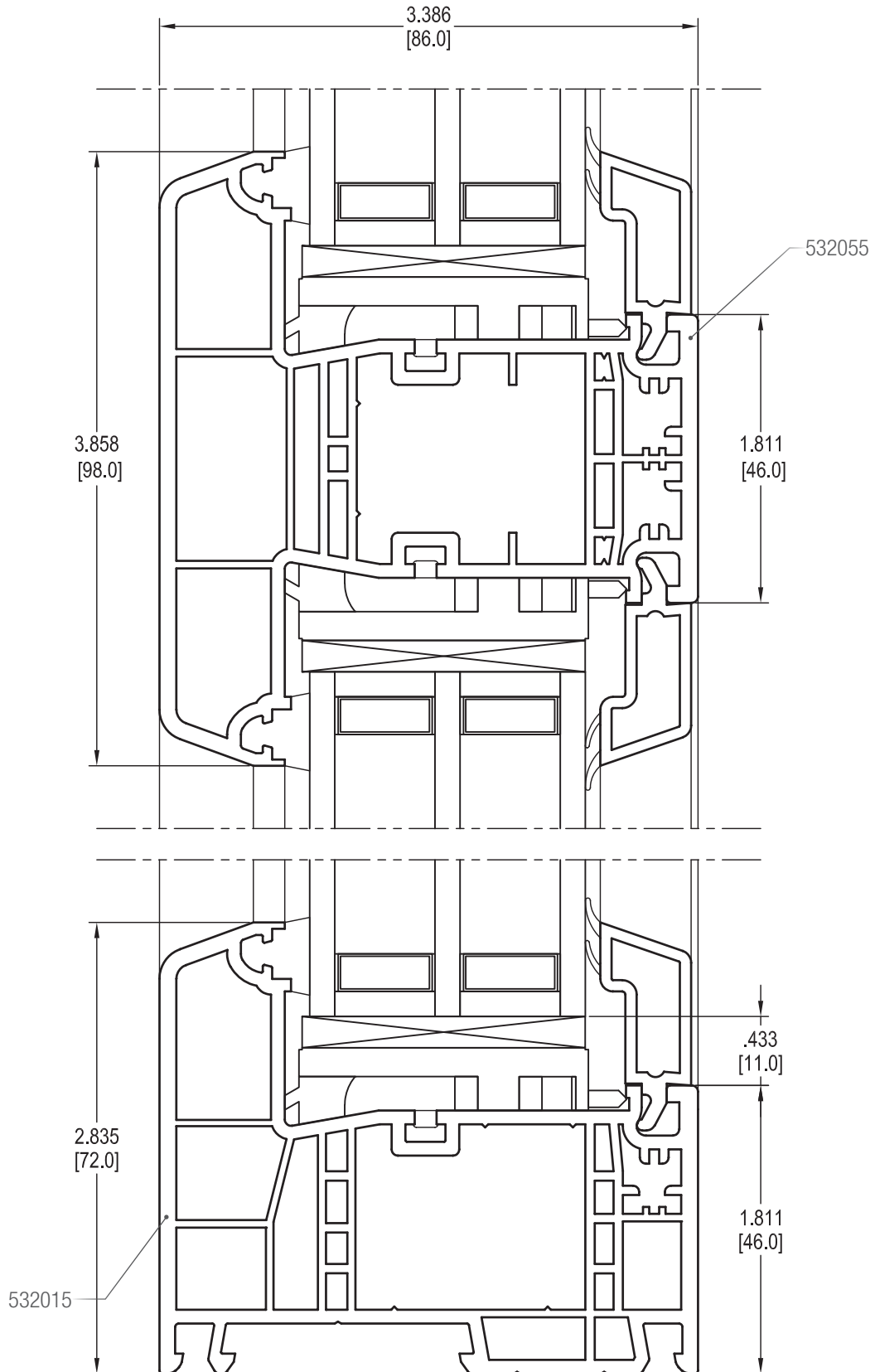
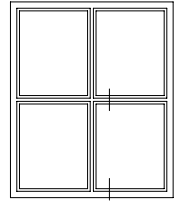




# GENEO®

## DETAIL DRAWINGS

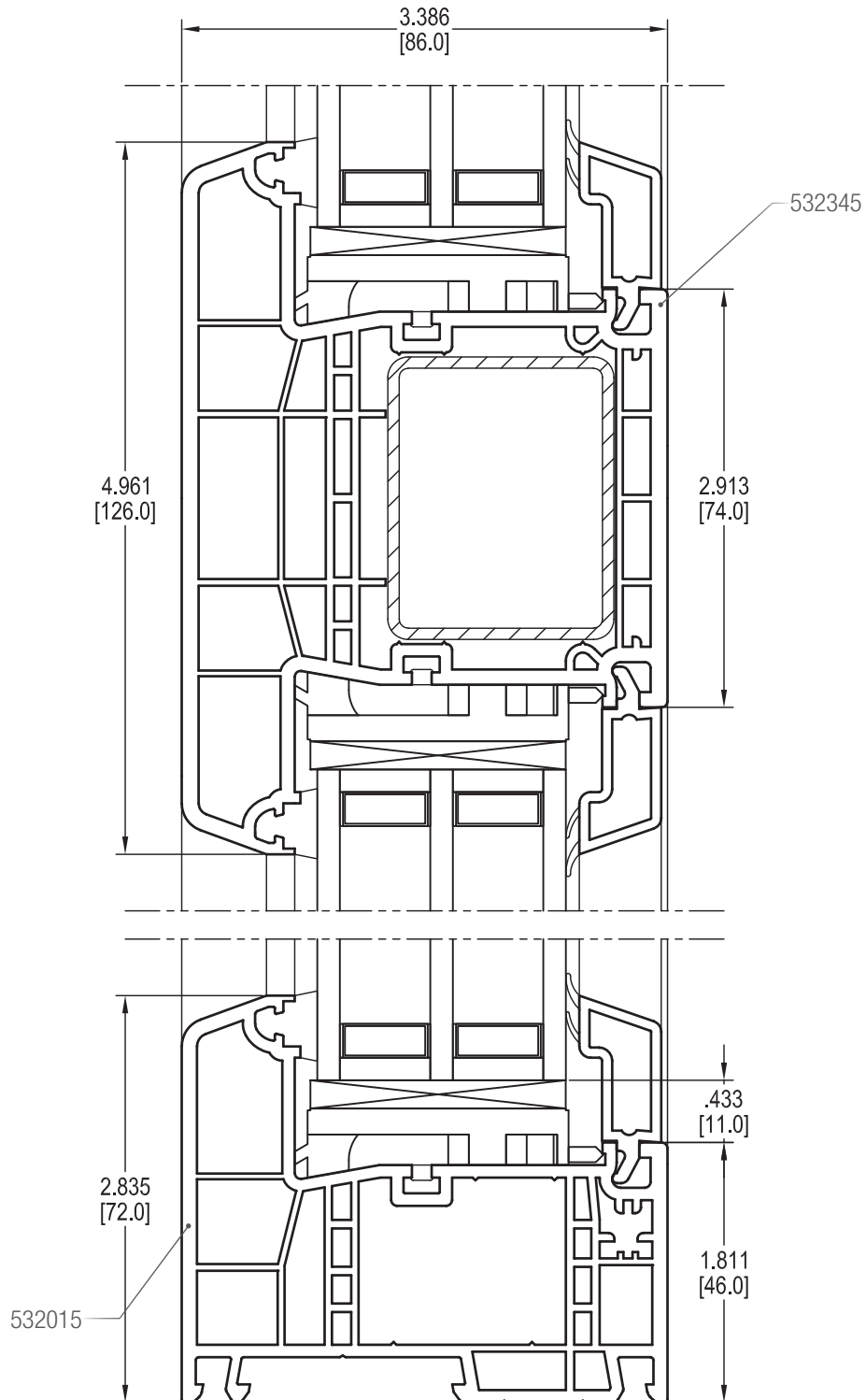
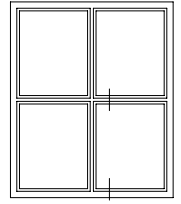
Frame 72 with T-Mullion 98



# GENEO®

## DETAIL DRAWINGS

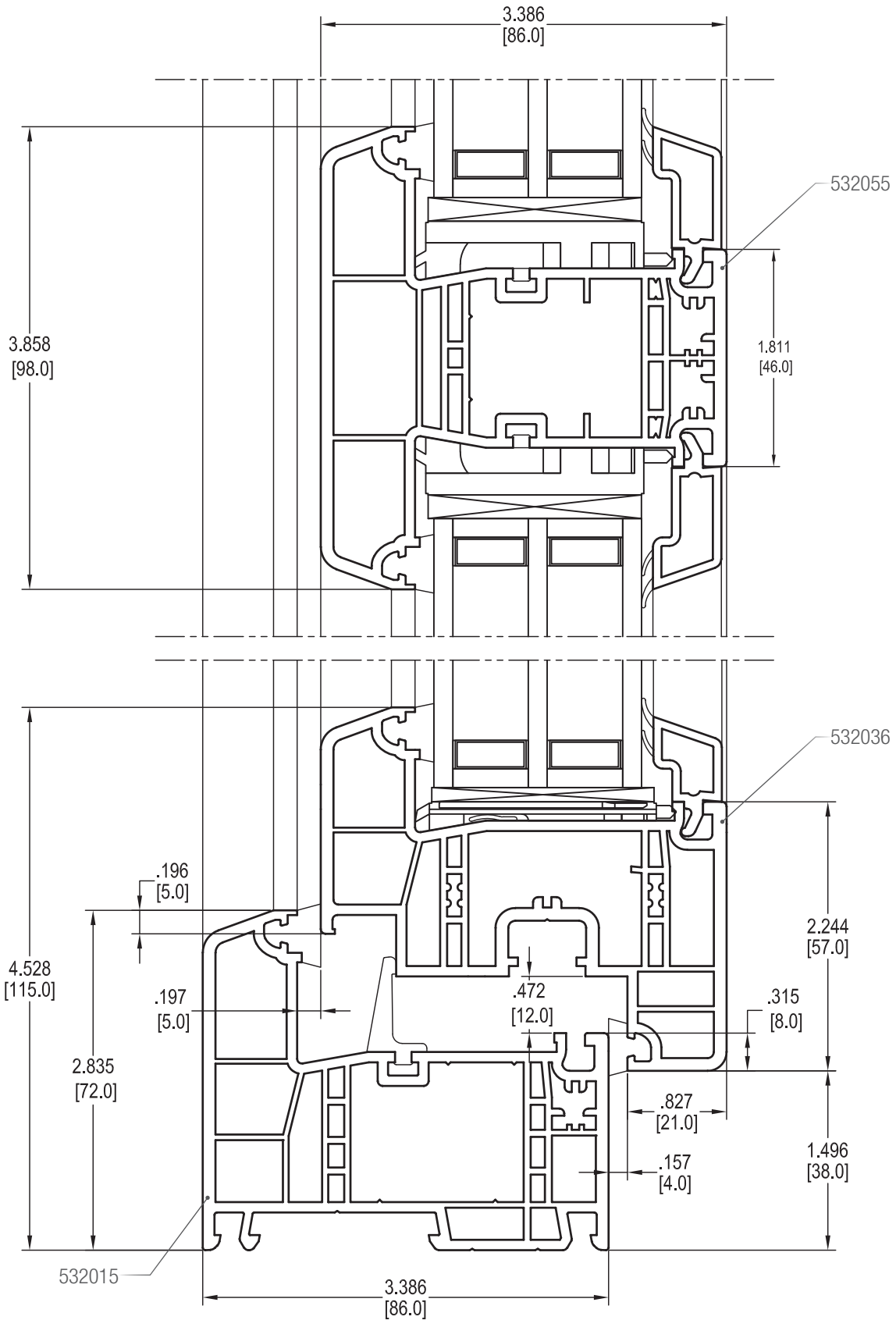
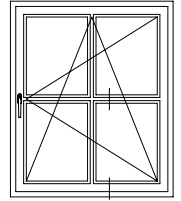
Frame 72 with T-Mullion 126



# GENEO®

## DETAIL DRAWINGS

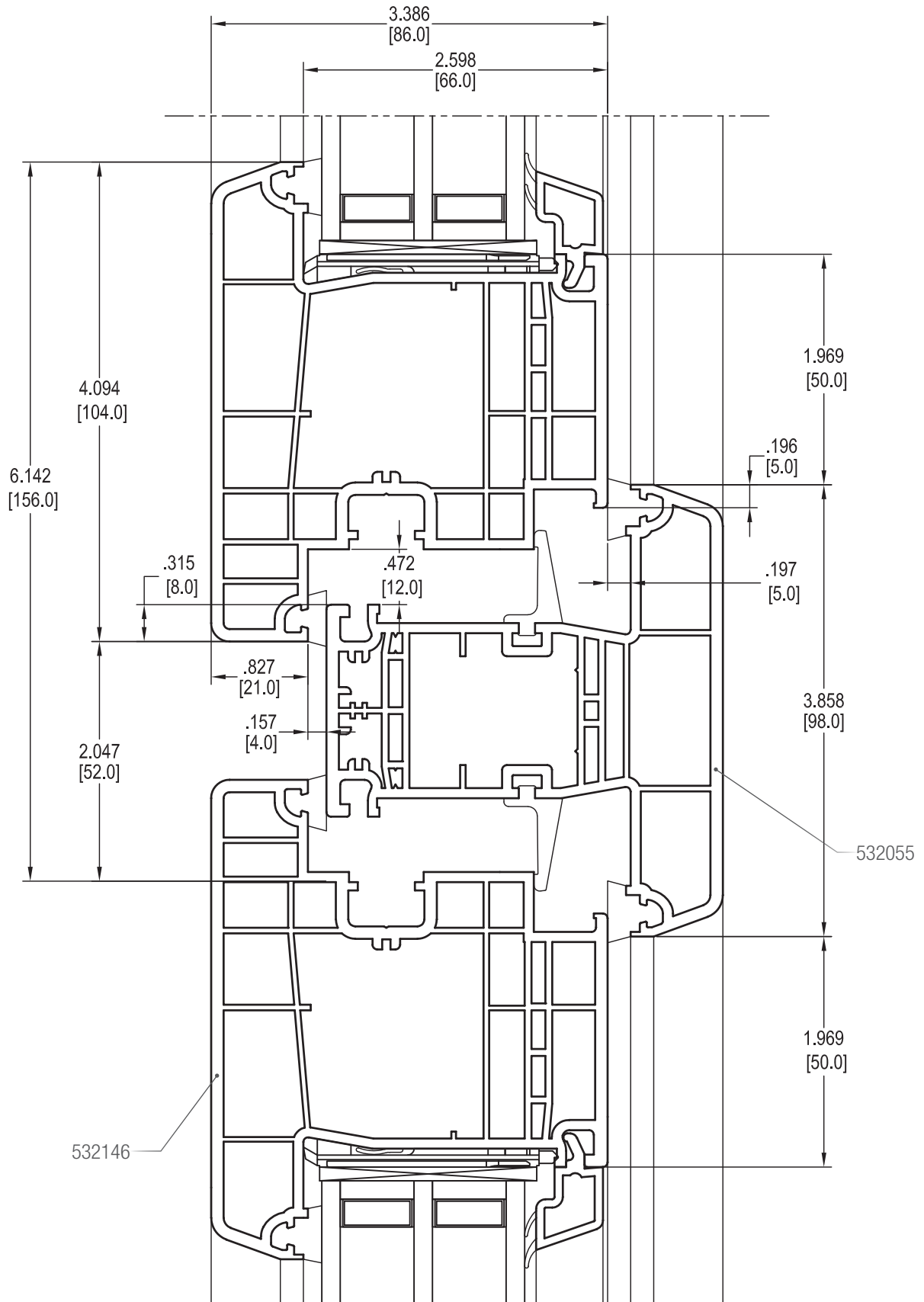
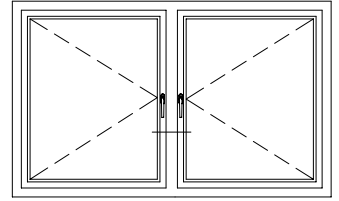
Frame 72 with Sash Z57 and T-Mullion 98



# GENEO®

## DETAIL DRAWINGS

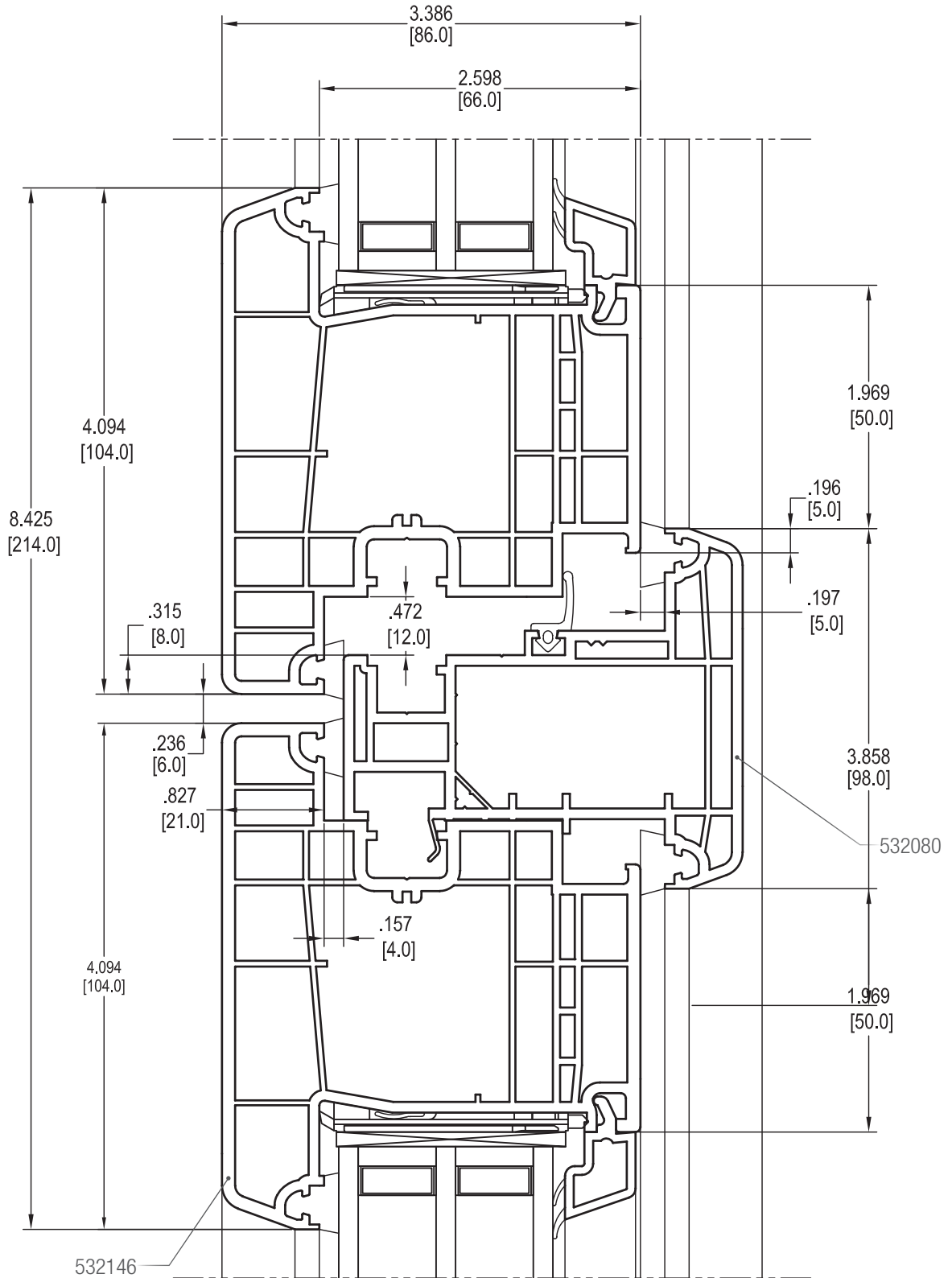
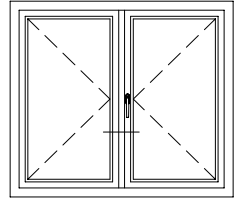
T-Mullion 98 with double Sash T 104



# GENEO®

## DETAIL DRAWINGS

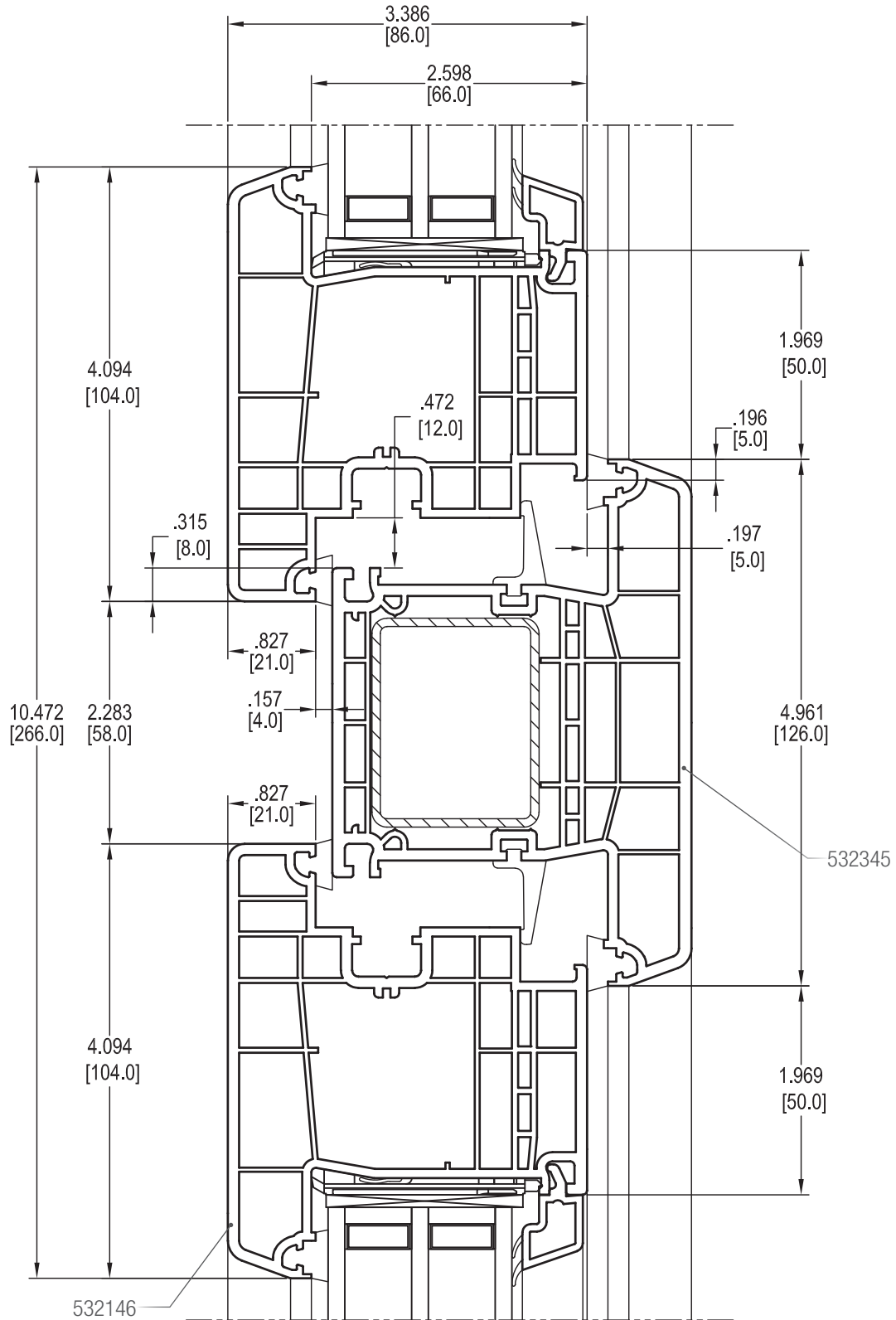
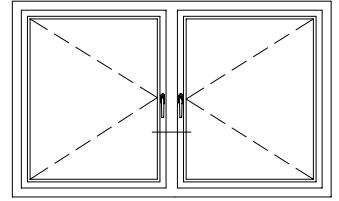
### Dummy Mullion with double Sash T 104



# GENEO®

## DETAIL DRAWINGS

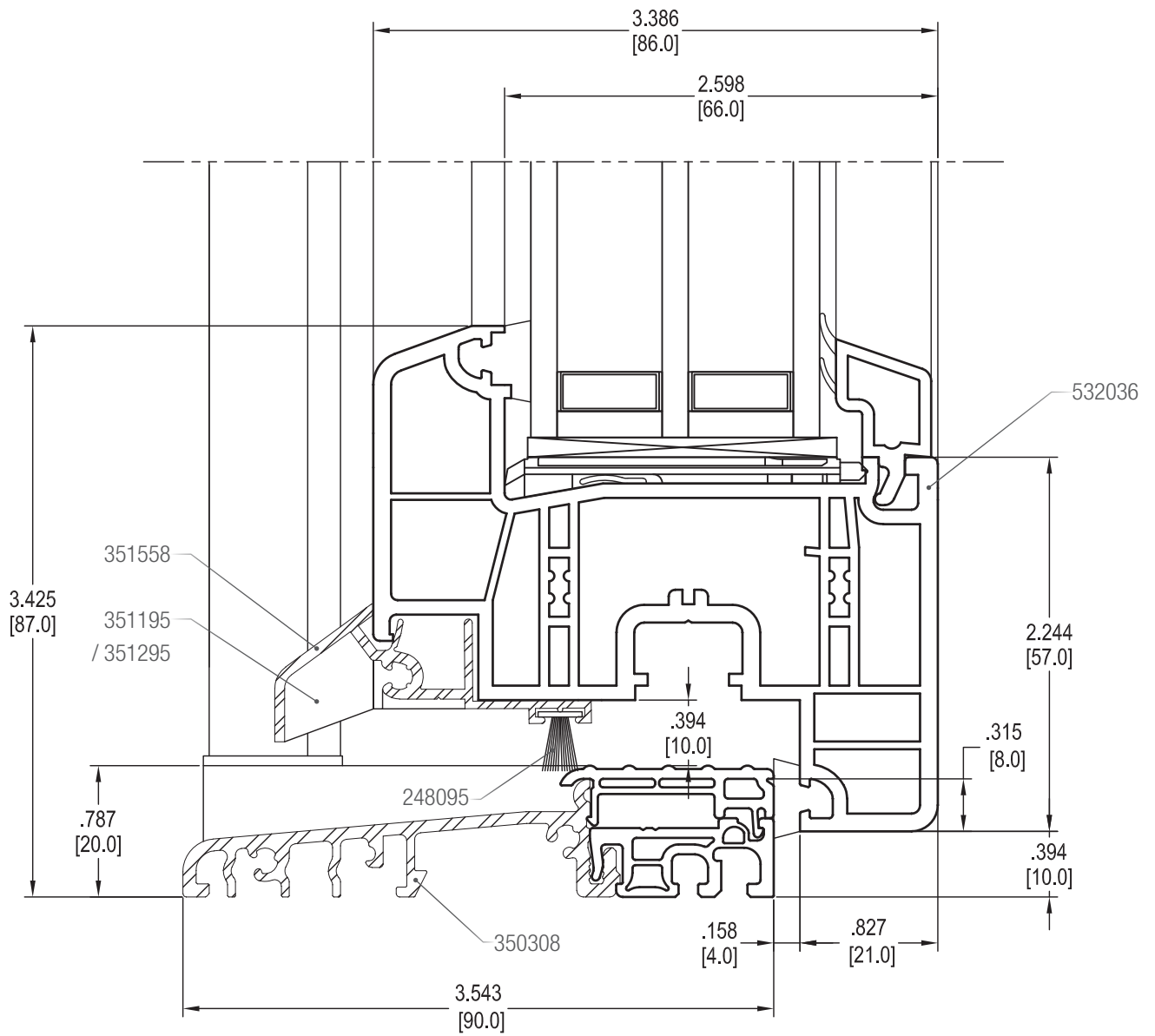
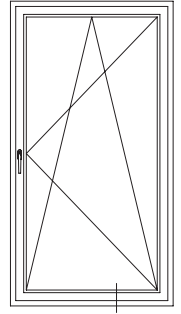
T-Mullion 126 with double Sash T104



# GENEO®

## DETAIL DRAWINGS

Threshold 86 with Sash Z 57, Clearance 10 mm



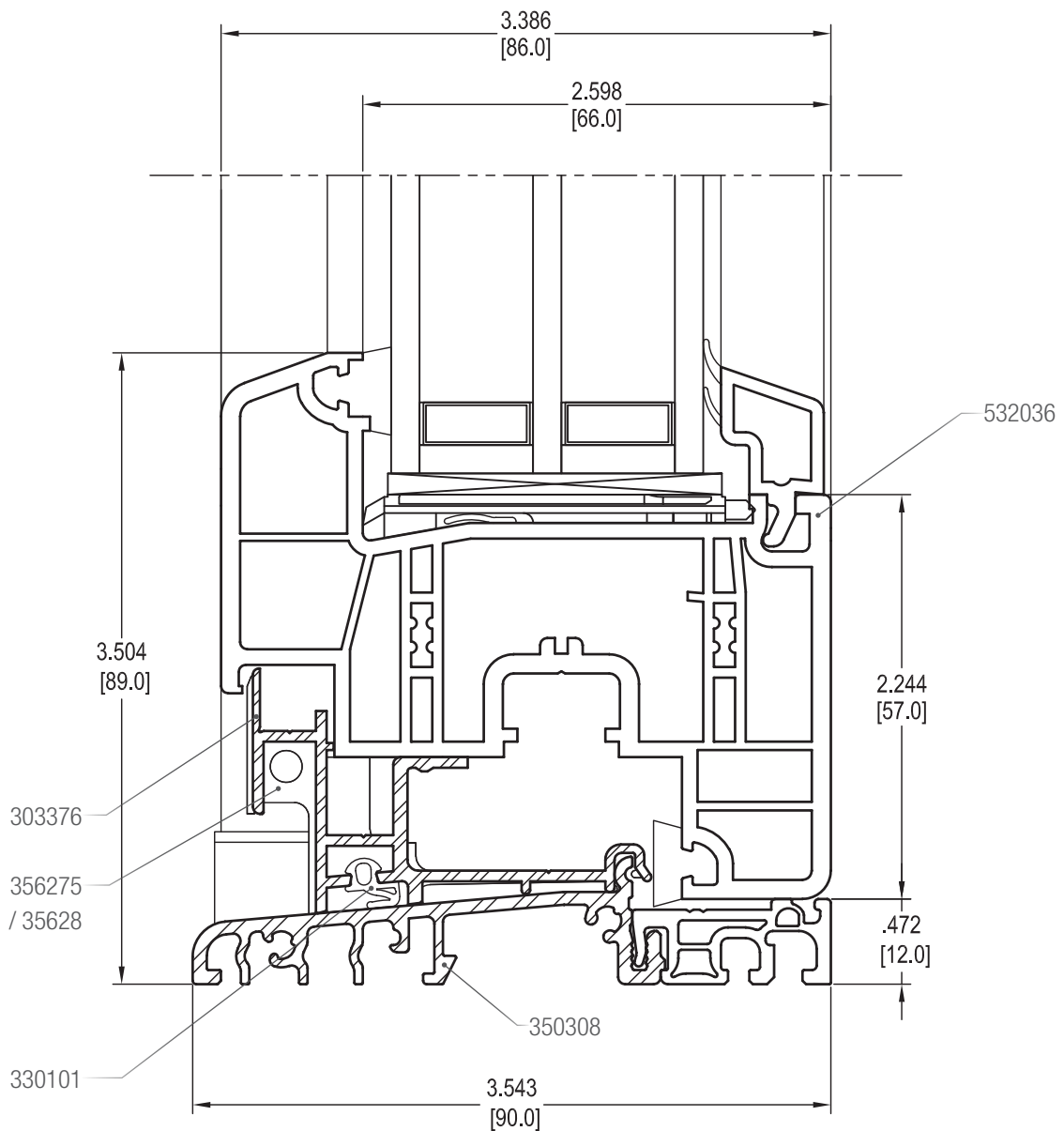
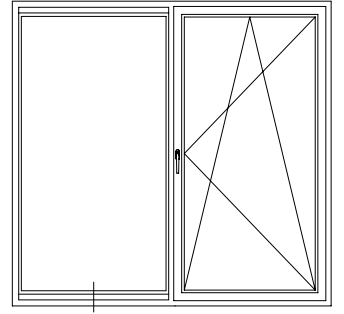




# GENEO®

## DETAIL DRAWINGS

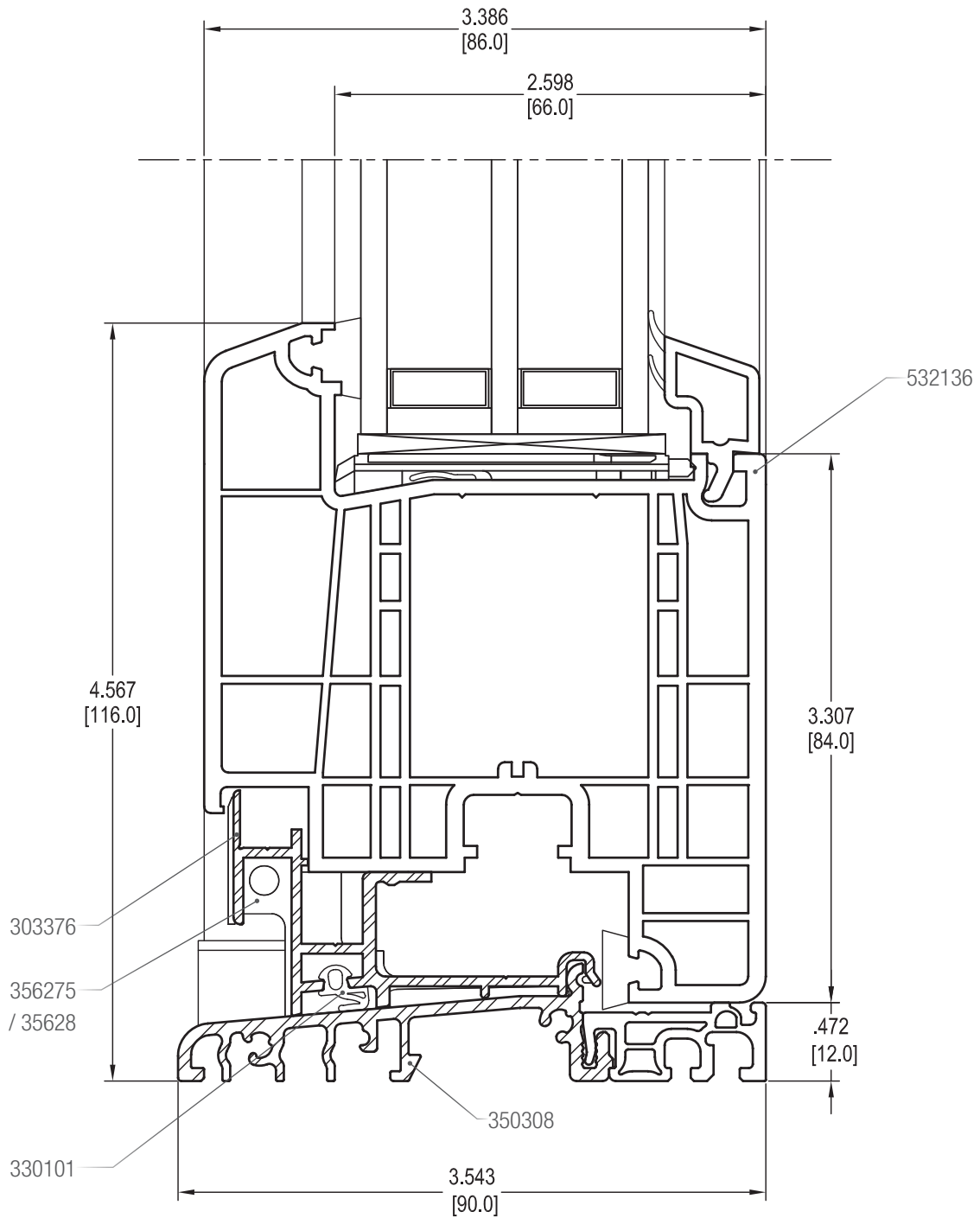
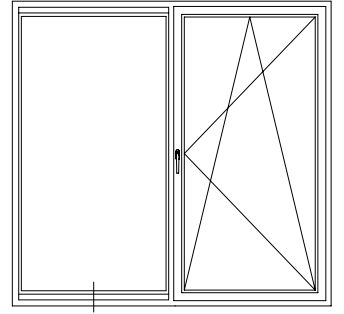
Threshold 86 with Sash Z 57 and Compensation profile



# GENEO®

## DETAIL DRAWINGS

Threshold 86 with Sash Z 84 and Compensation profile







The information contained herein is believed to be reliable, but no representations, guarantees or warranties of any kind are made as to its accuracy, suitability for particular applications or the results to be obtained therefrom. Before using, the user will determine suitability of the information for user's intended use and shall assume all risk and liability in connection therewith.

© 2018 REHAU