



CASEMENT WINDOW DESIGNS

REHAU SYSTEM 1400

REHAU SYSTEM 1400

VERSATILE ENOUGH TO ACCOMMODATE UPSCALE
RESIDENTIAL AND COMMERCIAL APPLICATIONS



While many make the claim, only a few window systems are designed to truly go beyond the standard performance requirements in both commercial and residential environments, while offering distinct fenestration solutions for each. The System 1400 delivers on these claims and more.

Window Types	Fixed windows, casement windows, awning windows
Material	Cadmium- and lead-free RAU-PVC
Sealing System	Triple seal system
System Depth	3 1/4 in (82.5 mm) and 4 5/8 in (117 mm)
Hinge Allowance	7/16 in (11.4 mm)
Max. Glass Thickness	1 3/8 in (35 mm)
Sightlines Frame / Sash	3.464 in (88 mm)
Colors	White, beige and clay; woodgrain and solid color film can be laminated on the inside and outside of surfaces
U-values	Down to 0.15*
Structural Tests	Small picture frame, up to design pressures of R-PG65 Large picture frame, up to design pressures of LC-PG60 Casement window, up to design pressures of CW-PG60 Awning window, up to design pressures of CW-PG60
Sound Reduction	Up to 41 dB

* Based on simulation

Testing on our window and door systems is ongoing. Contact your REHAU representative for the latest results.

Performance Summary

NAFS: up to CW-PG60

U-factor down to 0.15*

TAS: Impact Resistant DP-60 (HVHZ)

ASTM E90 Acoustical (STC): up to 41 dB

* based on simulation

Multi-chambered Sash and Frame

Profiles are designed for increased structural capacity and strength. Steel reinforcement is available, however, the System 1400 performs superbly even without. The sash reinforcement is designed particularly for the System 1400 sash. It fits perfectly.

More Versatility for Hardware

Designed to work with many different hardware options, the System 1400 satisfies a greater variety of preferences and custom looks.

Supplementary Profile

The frames are designed to be used with extensive selections of supplementary profiles, providing a wide variety of mulling and installation options.

A Wide Range of Configurations

The standard 3 1/4 in. frame depth is ideal for standard retrofit applications. Frames are available with or without integral nailing fin. A 4 5/8 in. frame depth (vent and picture frames) is suitable for deeper wall construction. On the internal face, we've included an integral 3/4 in. drywall/extension jamb channel which allows for multiple interior finishing options.

With the System 1400 design, casement, awning and fixed configurations are possible.

Proven Track Record

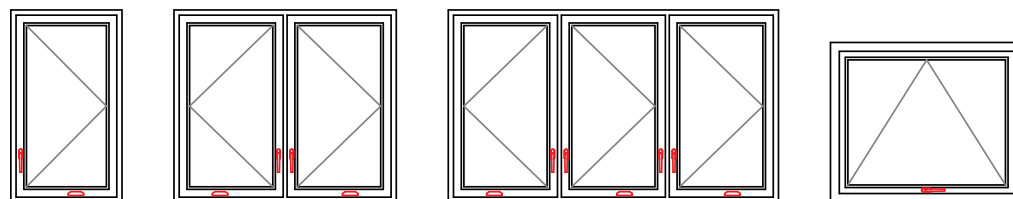
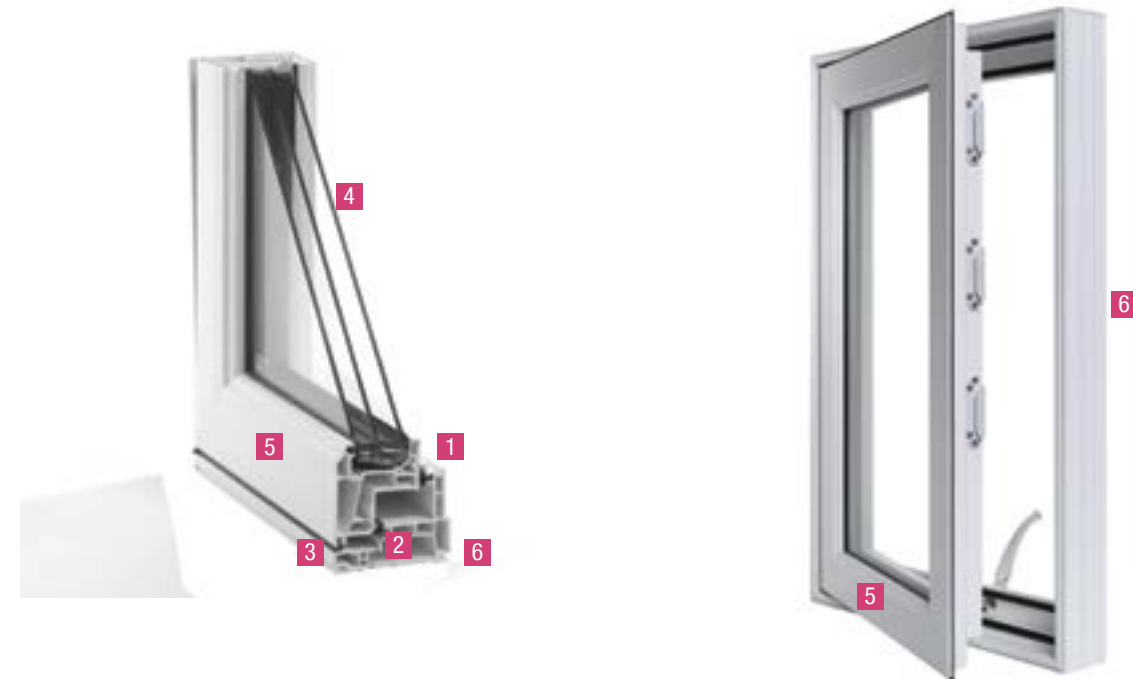
System 1400 has been the product of choice in numerous residential and light-commercial applications for many years. Naturally, it has been updated to meet and exceed current energy-performance requirements as well as to address changing preferences for styling and design.

REHAU SYSTEM 1400

DECEPTIVELY EASY TO OPERATE YET INCREDIBLY SECURE:
KEY FEATURES AND BENEFITS



- 1 Multi-point sash locks and snubbers**
Create tight seal, providing extra security and comfort from air infiltration
- 2 High performance even without reinforcements**
Able to achieve AAMA(R) DP-40 rating at 28 x 63 in (0.71 x 1.60 m) without reinforcements
- 3 Three continuous seals**
Provide superior air and water barrier
- 4 Up to 1 3/8 in (35 mm) glazing capability**
Allows for excellent thermal and acoustical properties
- 5 Contoured or flat-faced sash**
Create either a millwork or contemporary look
- 6 3 1/4 in (83 mm) small and large fixed frames and 4 5/8 in (117 mm) vent and large fixed frames with choice of contoured or flat/contemporary design**
Provide flexibility for projects with deeper wall construction



Available Colors

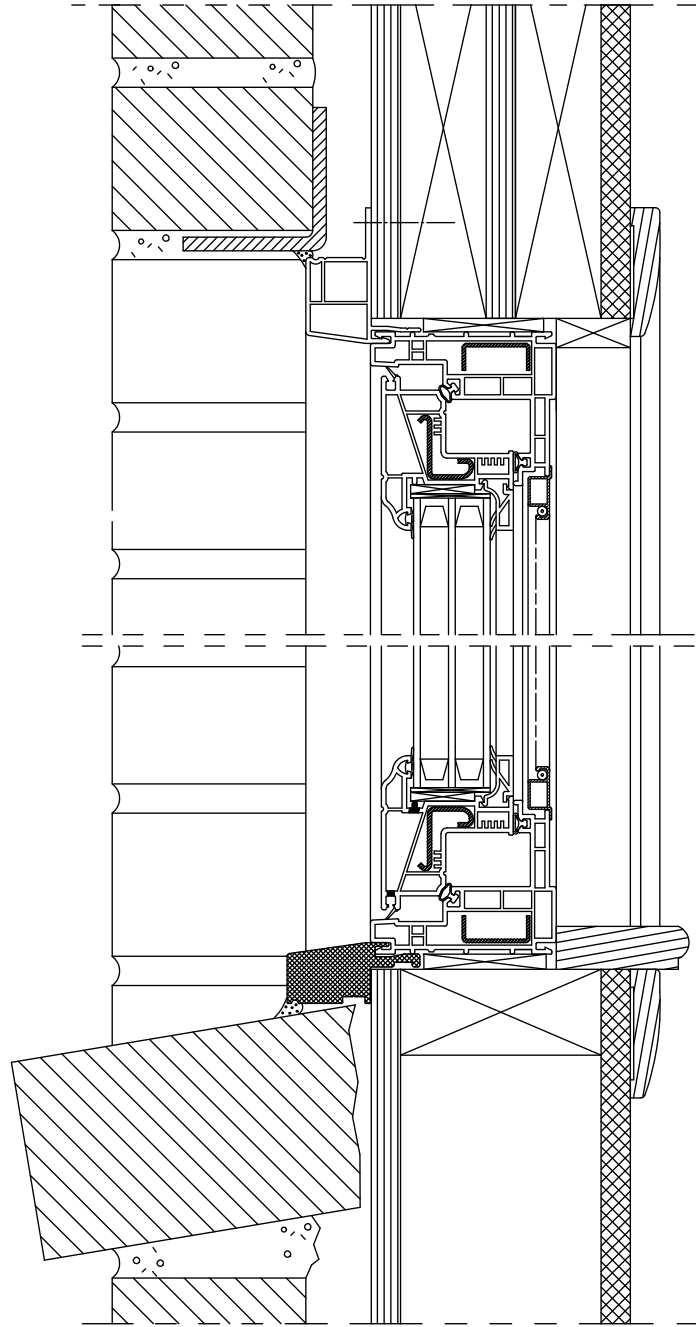
- White
- Beige
- Clay

Ask about solid color and wood-grain foil options.

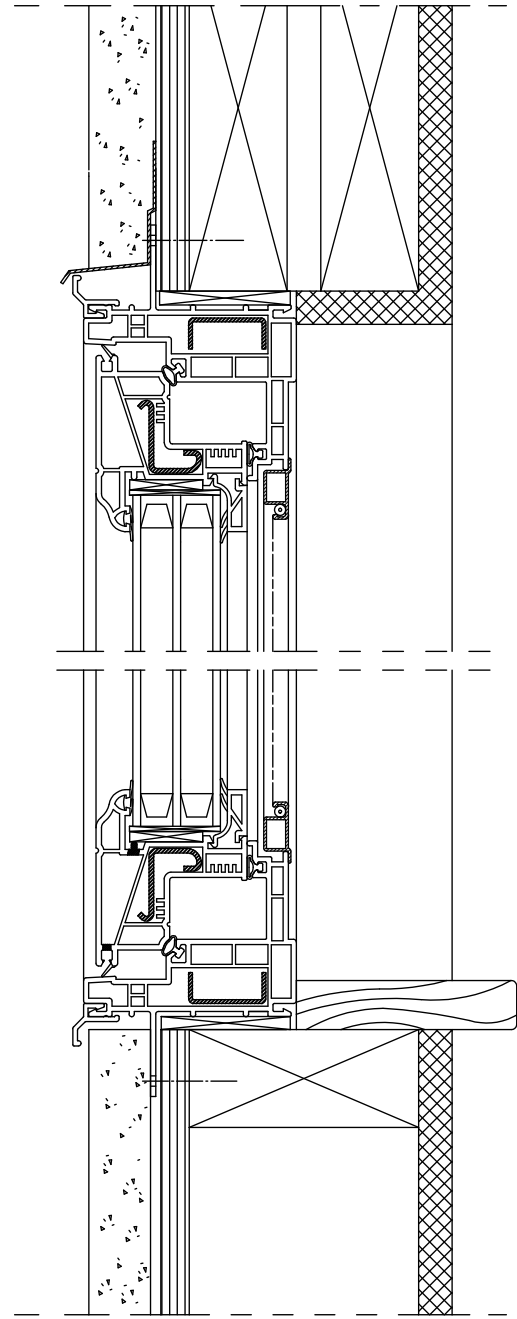
REHAU SYSTEM 1400

INSTALLATION DRAWINGS

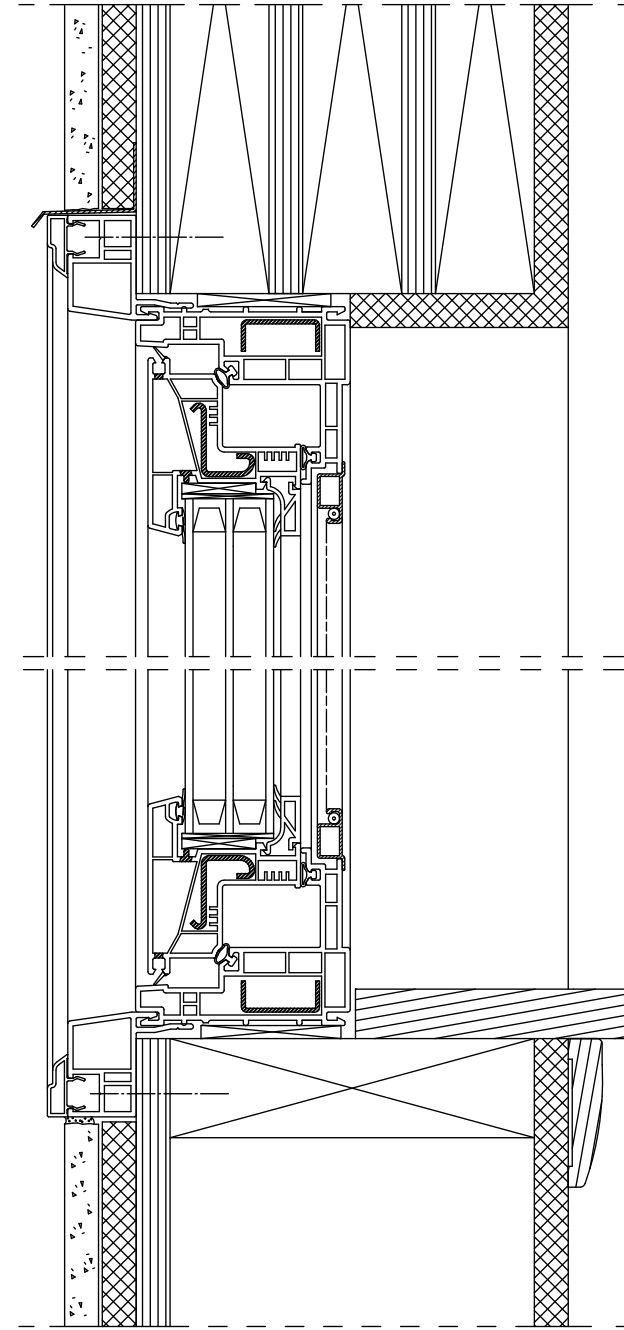
2 x 4" Wood Frame and Brick New Construction



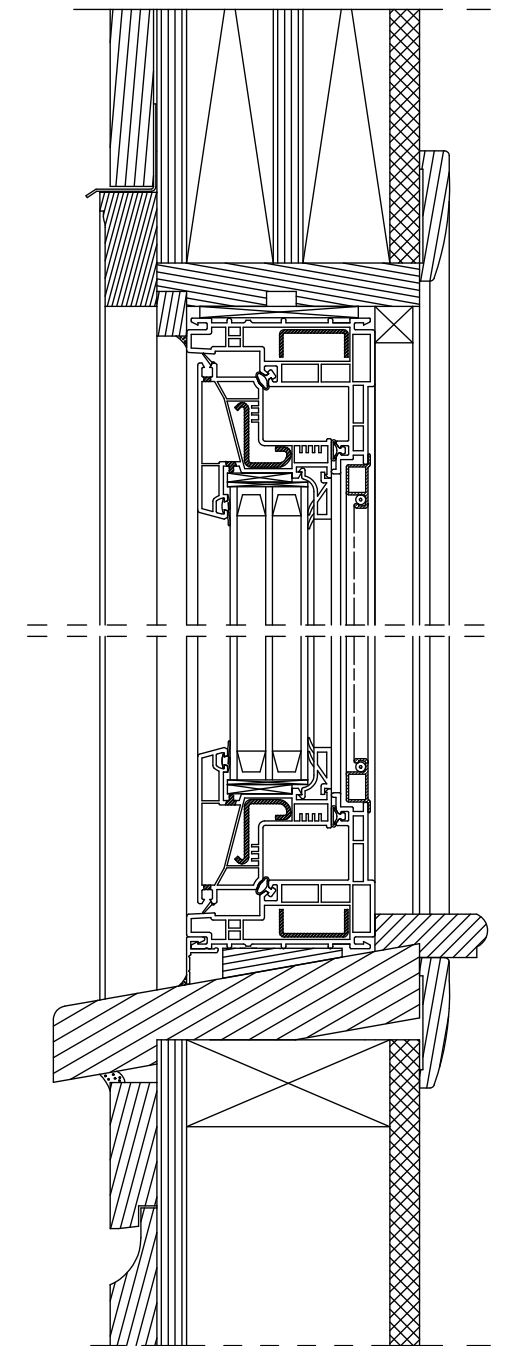
2 x 4" Wood Frame and Stucco New Construction



2 x 6" Wood Frame and Stucco New Construction



Casement Replacement



For updates to this publication, visit na.rehau.com/resourcecenter

The information contained herein is believed to be reliable, but no representations, guarantees or warranties of any kind are made as to its accuracy, suitability for particular applications or the results to be obtained therefrom. Before using, the user will determine suitability of the information for user's intended use and shall assume all risk and liability in connection therewith.

© 2014 REHAU