

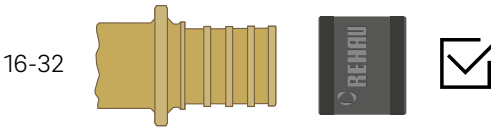
QC1



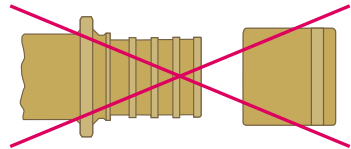


DE Verbot für GAS-Anwendung
 EN Prohibition for GAS application
 FR Interdiction de l'utilisation de GAS
 IT Divieto di applicazione del GAS
 ES Prohibición de la aplicación de GAS
 NL Verbod op GAS-toepassing

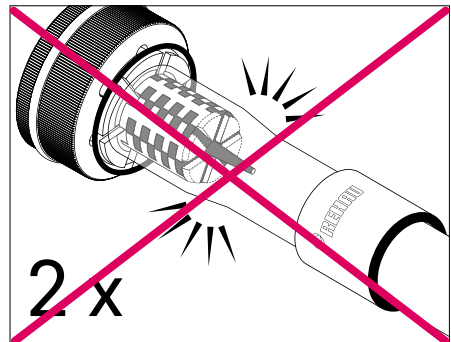
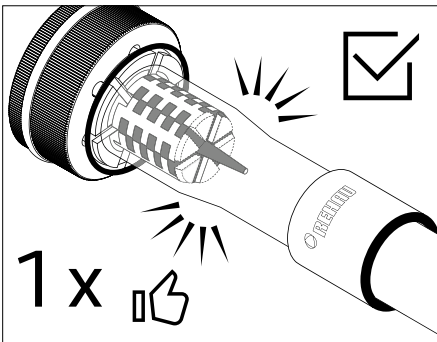
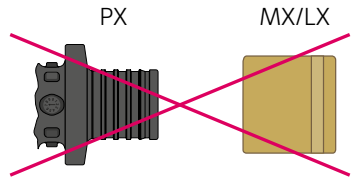
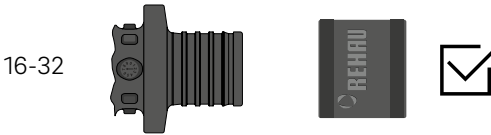
LX+G/MX/MX+G/RX+/SX PX



LX+G/MX/MX+G/RX+/SX MX/LX



PX PX



TI No. 893621

© REHAU Industries SE & Co. KG
 Helmut-Wagner-Str. 1, Rheniumhaus
 95111 Rehad

Subject to technical changes.

Please observe the relevant technical product information, which can be obtained online at www.rehau.com/ti

856622 12.2022