



Engineering progress  
Enhancing lives

# REHAU EDGE™

Product book - AUSTRALIA



# REHAU EDGE™

## INNOVATIVE TECHNOLOGY



Insert



Compress



Done!

	Compression Sleeve	Crimp	EDGE™
<b>No expansion required</b>	<input type="checkbox"/>	<input checked="" type="checkbox"/>	<input checked="" type="checkbox"/>
No Gauge required	<input checked="" type="checkbox"/>	<input type="checkbox"/>	<input checked="" type="checkbox"/>
<b>No over- or under- crimping</b>	<input checked="" type="checkbox"/>	<input type="checkbox"/>	<input checked="" type="checkbox"/>
Rotatable dual jaws for battery tools	<input checked="" type="checkbox"/>	<input type="checkbox"/>	<input checked="" type="checkbox"/>
Fitting grips to the pipe before compression	<input type="checkbox"/>	<input type="checkbox"/>	<input checked="" type="checkbox"/>
Visual control of pipe insertion depth	<input type="checkbox"/>	<input checked="" type="checkbox"/>	<input checked="" type="checkbox"/>
Visual check of completed connection	<input checked="" type="checkbox"/>	<input type="checkbox"/>	<input checked="" type="checkbox"/>
Immediate pressure testing	<input checked="" type="checkbox"/>	<input checked="" type="checkbox"/>	<input checked="" type="checkbox"/>
<b>Leaks when uncompressed</b>	<input type="checkbox"/>	<input checked="" type="checkbox"/>	<input checked="" type="checkbox"/>
25-year system warranty	<input checked="" type="checkbox"/>	<input checked="" type="checkbox"/>	<input checked="" type="checkbox"/>

# It's your **EDGE™**

## The **EDGE** of tomorrow

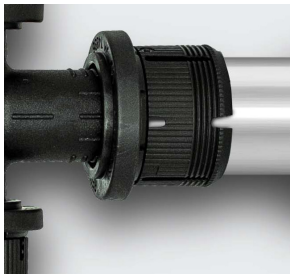
EDGE™ is a revolutionary new piping system that offers the safety of compression sleeve with the speed of crimp. EDGE™ is designed for security and speed without the need for expansion. EDGE™ is a comprehensive plumbing solution consisting of DZR brass fittings and solvent-resistant polymer sleeves and fittings, highly flexible PN16 PE-Xa pipe ranging from 16mm to 32mm for hot and cold, recycled and rainwater use.



Fitting stays in place after being inserted



No pipe expansion required



Visual control of pipe insertion via inspection windows



Visibly leaks when uncompressed



## Security without the steps

Developed in collaboration with installers and designers, EDGE™ is the next evolution in compression sleeve technology. REHAU EDGE™ is the perfect solution for plumbing professionals who value speed, security and a competitive edge for their installations.

# REHAU EDGE™

## Product Range



### REHAU EDGE™ SILVER

REECE code	Size
1456100	EDGE SILVER 16X2.0 - 5M STRAIGHT
1456101	EDGE SILVER 20X2.3 - 5M STRAIGHT
1456102	EDGE SILVER 25X2.8 - 5M STRAIGHT
1456103	EDGE SILVER 32X3.6 - 5M STRAIGHT
1456104	EDGE SILVER 16X2.0 - 100M COIL
1456105	EDGE SILVER 20X2.3 - 100M COIL
1456106	EDGE SILVER 25X2.8 - 50M COIL



### REHAU EDGE™ RED

REECE code	Size
1456108	EDGE RED 16X2.0 - 5M STRAIGHT
1456109	EDGE RED 20X2.3 - 5M STRAIGHT
1456110	EDGE RED 25X2.8 - 5M STRAIGHT
1456111	EDGE RED 16X2.0 - 100M COIL
1456112	EDGE RED 20X2.3 - 100M COIL
1456113	EDGE RED 25X3.2 - 50M COIL



### REHAU EDGE™ LILAC

REECE code	Size
1456114	EDGE LILAC 16X2.0 - 50M COIL
1456115	EDGE LILAC 20X2.3 - 50M COIL
1456116	EDGE LILAC 25X2.8 - 50M COIL



### REHAU EDGE™ GREEN

REECE code	Size
1456118	EDGE GREEN 16X2.0 - 50M COIL
1456119	EDGE GREEN 20X2.3 - 50M COIL
1456120	EDGE GREEN 25X2.8 - 50M COIL



### EDGE™ Compression sleeve

REECE code	Size
1456122	EDGE COMPRESSION SLEEVE 16
1456123	EDGE COMPRESSION SLEEVE 20
1456124	EDGE COMPRESSION SLEEVE 25
1456125	EDGE COMPRESSION SLEEVE 32



### EDGE™ STRAIGHT COUPLING

REECE code	Size
1456126	EDGE STRAIGHT COUPLING 16
1456128	EDGE STRAIGHT COUPLING 20
1456131	EDGE STRAIGHT COUPLING 25
#1456132	EDGE STRAIGHT COUPLING 32



### EDGE™ REDUCING COUPLING

REECE code	Size
1456127	EDGE REDUCING COUPLING 20-16
1456129	EDGE REDUCING COUPLING 25-16
1456130	EDGE REDUCING COUPLING 25-20
#1456133	EDGE REDUCING COUPLING 32-25



### EDGE™ Tee

REECE code	Size
1456138	EDGE TEE 16
1456139	EDGE TEE 20
1456140	EDGE TEE 25
#1456141	EDGE TEE 32



### EDGE TEE™ - REDUCING

REECE code	Size
1456142	EDGE TEE REDUCING 20-(16)-20
1456143	EDGE TEE REDUCING 25-(16)-25
1456152	EDGE TEE REDUCING 25-(20)-20
#1456153	EDGE TEE REDUCING 32-(25)-25
#1456144	EDGE TEE REDUCING 32-(16)-32
#1456145	EDGE TEE REDUCING 32-(20)-32
#1456146	EDGE TEE REDUCING 32-(25)-32
1456147	EDGE TEE REDUCING 25-(20)-25
1456148	EDGE TEE REDUCING 20-(20)-16
1456149	EDGE TEE REDUCING 25-(25)-20
1456150	EDGE TEE REDUCING 20-(16)-16
1456151	EDGE TEE REDUCING 25-(16)-16
1456154	EDGE TEE REDUCING 16-(20)-16



### EDGE™ Elbow

REECE code	Size
1456134	EDGE ELBOW 16
1456135	EDGE ELBOW 20
1456136	EDGE ELBOW 25
#1456137	EDGE ELBOW 32

# Brass body



### EDGE™ MALE STRAIGHT CONNECTOR

REECE code	Size
1456161	EDGE MALE STRT CONNECTOR 16 -R 1/2"
1456162	EDGE MALE STRT CONNECTOR 16 -R 3/4"
1456163	EDGE MALE STRT CONNECTOR 20 -R 1/2"
1456164	EDGE MALE STRT CONNECTOR 20 -R 3/4"
1456165	EDGE MALE STRT CONNECTOR 25 -R 3/4"
1456166	EDGE MALE STRT CONNECTOR 25 -R 1"
1456167	EDGE MALE STRT CONNECTOR 32 -R 1"



### EDGE™ FEMALE STRAIGHT CONNECTOR

REECE code	Size
1456155	EDGE FEMALE STRT CONNECTOR 16-RP1/2"
1456156	EDGE FEMALE STRT CONNECTOR 20-RP1/2"
1456157	EDGE FEMALE STRT CONNECTOR 20-RP3/4"
1456158	EDGE FEMALE STRT CONNECTOR 25-RP3/4"
1456159	EDGE FEMALE STRT CONNECTOR 25-RP1"
1456160	EDGE FEMALE STRT CONNECTOR 32-RP1"



### EDGE™ MALE THREADED ELBOW

REECE code	Size
1456168	EDGE MALE THREADED ELBOW 16 -R1/2"
1456169	EDGE MALE THREADED ELBOW 20-R1/2"
1456170	EDGE MALE THREADED ELBOW 20-R3/4"
1456171	EDGE MALE THREADED ELBOW 25 - R 1"
1456172	EDGE MALE THREADED ELBOW 32 - R 1"



### EDGE™ FEMALE THREADED ELBOW

REECE code	Size
1456173	EDGE FEMALE THREADED ELBOW 16-RP 1/2"
1456174	EDGE FEMALE THREADED ELBOW 20-RP 3/4"



### EDGE™ FEMALE THREAD ELBOW W/LUGS

REECE code	Size
1456175	EDGE FEMALE THREAD ELBOW W/LUGS 16-RP 1/2"
1456176	EDGE FEMALE THREAD ELBOW W/LUGS 20-RP 3/4"
1456177	EDGE FEMALE THREAD ELBOW W/LUGS 25-RP 1"
1456178	EDGE FEMALE THREAD ELBOW W/LUGS 32-RP 1"



### EDGE™ MALE THREAD ELBOW W/LUGS

REECE code	Size
1456179	EDGE MALE THREAD ELB W/LUGS 16-G 1/2" 65
1456180	EDGE MALE THREAD ELB W/LUGS 16-G 1/2" 90
1456181	EDGE MALE THREAD ELB W/LUGS 16-G1/2" 185
1456182	EDGE MALE THREAD ELB W/LUGS 20-G 1/2" 95
1456183	EDGE MALE THREAD ELB W/LUGS 20-G1/2" 185
1456184	EDGE MALE THREAD ELB W/LUGS 20-G 3/4" 95
1456185	EDGE MALE THREAD ELB W/LUGS 20-G3/4" 185



### EDGE™ STRAIGHT TAP CON W/SEAL

REECE code	Size
1456188	EDGE STRAIGHT TAP CON W/SEAL 16-G 1/2" NUT
1456189	EDGE STRAIGHT TAP CON W/SEAL 20-G 3/4" NUT



### EDGE™ STRAIGHT TAP CON W/GASKET

REECE code	Size
1456190	EDGE STRAIGHT TAP CON W/GASKET 16-G 1/2" NUT
1456191	EDGE STRAIGHT TAP CON W/GASKET 20-G 3/4" NUT
1456192	EDGE STRAIGHT TAP CON W/GASKET 25-G 1" NUT



### EDGE™ BENT TAP CON W/SEAL

REECE code	Size
1456193	EDGE BENT TAP CON W/SEAL 16-G 1/2" NUT
1456194	EDGE BENT TAP CON W/SEAL 20-G 3/4" NUT



### EDGE™ STOPPER

REECE code	Size
1456186	EDGE STOPPER 16
1456187	EDGE STOPPER 20

# REHAU EDGE™

## Product Range



### EDGE™ BATH/LAUNDRY/SINK BREECH R

REECE code	Size
1456195	EDGE BATH/LDRY/SINK BREECH R ANGLE 8"
1456196	EDGE BATH/LDRY/SINK BREECH R ANGLE 12"



### RAUTOOL L1

REECE code	Size
1451245	RAUTOOL EDGE L1 KIT 16-20 FWITH CARRY CASE (25,32 JAWS ARE SOLD SEPERATELY)
1451246	RAUTOOL EDGE L1 JAW SET 16 MM
1451247	RAUTOOL EDGE L1 JAW SET 20 MM
1451248	RAUTOOL EDGE L1 JAW SET 25 MM
1451249	RAUTOOL EDGE L1 JAW SET 32 MM
1440430	RAUTOOL L1 SPARE KITS #1
1440431	RAUTOOL L1 SPARE KITS #2
1440432	RAUTOOL L1 SPARE KITS #3
1440433	RAUTOOL L1 SPARE KITS #4-JAW PIN SET



### EDGE™ SHOWER BREECH RIGHT ANGLE

REECE code	Size
1456197	EDGE SHOWER BREECH RIGHT ANGLE 6"
1456198	EDGE SHOWER BREECH RIGHT ANGLE 8"



### EDGE™ TRANSITION TO COPPER

REECE code	Size
1456199	EDGE TRANSITION TO COPPER 16-DN15(AUS)
1456200	EDGE TRANSITION TO COPPER 20-DN20(AUS)
1456201	EDGE TRANSITION TO COPPER 25-DN25(AUS)
1456202	EDGE TRANSITION TO COPPER 32-DN25(AUS)

\* For connection into copper press fittings only.

\* Not for brazing



### RAUTOOL A-LIGHT2 EDGE™ jaws

REECE code	Size
1451314	EDGE ALIGHT2 DUAL JAW SET 16/20 MM
1451306	EDGE ALIGHT2 DUAL JAW SET 25/32 MM

\* Also compatible with Rothenberger ROMAX AXIAL tool

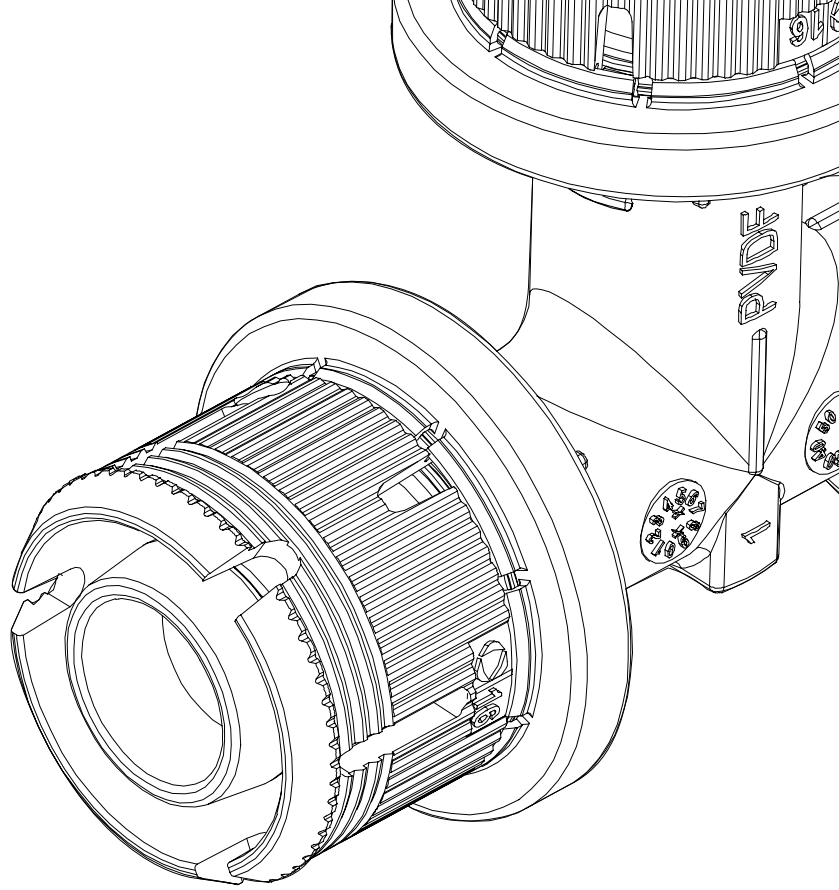
\* Also compatible with RAUTOOL ALight, A2, A3, E2, E3, A3

### RAUTOOL Cutters

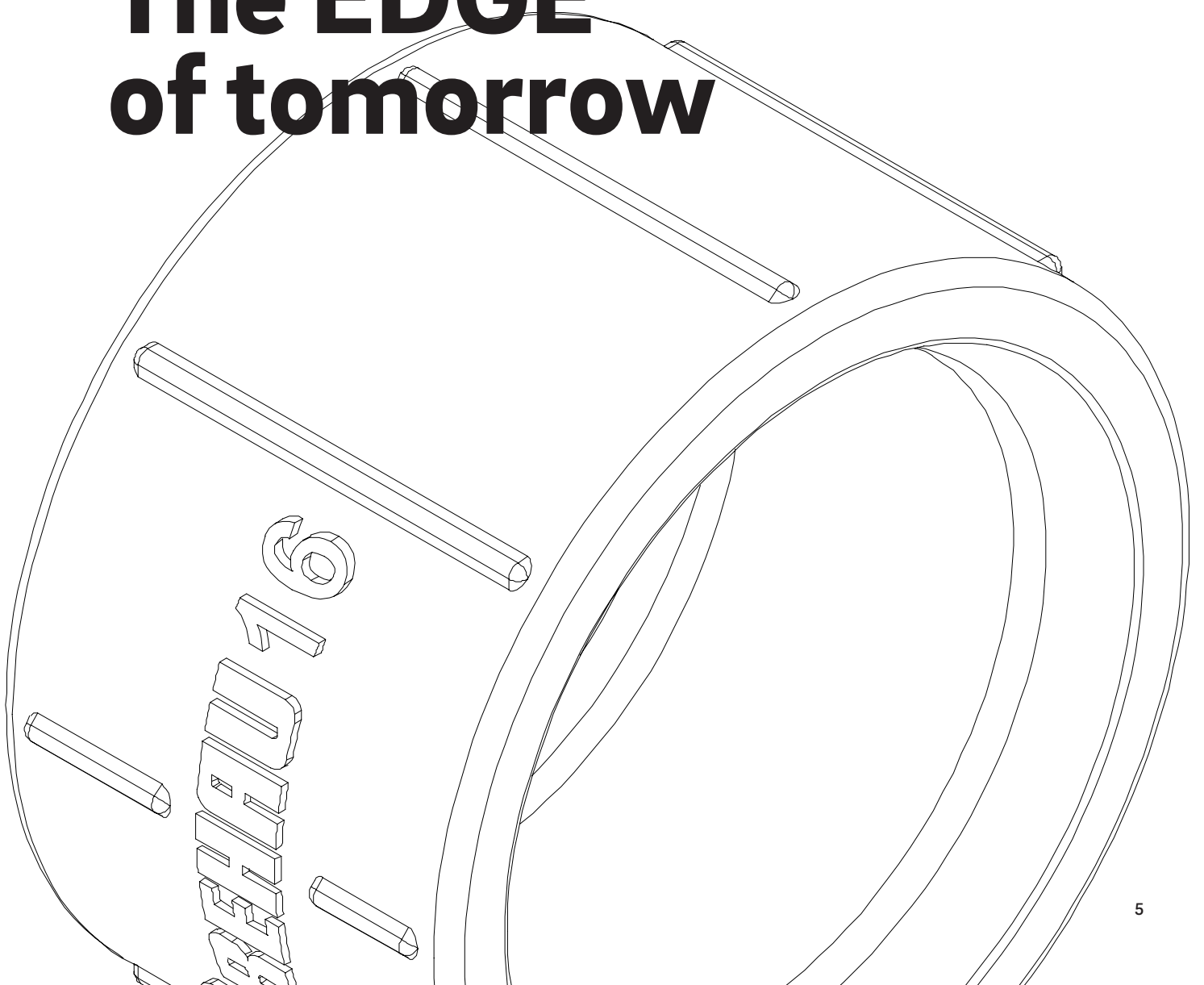
REECE code	Size
1450350	Stabil Cutter 16-20
1450273	Cutter 16-25
1450284	Cutter 16 - 40
1451011	Spare blade for Stabil cutter 6-20 (1450350)
1451012	Spare blade for cutter 16-40 (1450284)







# The EDGE of tomorrow



**REHAU Pty Ltd – National Customer Service Centre**

Suite 1.02, Level 1, Quad 1, 8 Parkview Drive,  
Sydney Olympic Park, NSW 2127  
AUSTRALIA

Tel: 1300 768 033

Fax: 1300 760 665

Email: [sales.au@rehau.com](mailto:sales.au@rehau.com)

[www.rehau.com.au](http://www.rehau.com.au)



The information contained herein is believed to be reliable, but no representations, guarantees or warranties of any kind are made as to its accuracy, suitability for particular applications or the results to be obtained therefrom. Before using, the user will determine suitability of the information for user's intended use and shall assume all risk and liability in connection therewith.



<http://qr.rehau.com/d3c5181a9a>

January 2023  
Subject to technical modifications  
© REHAU  
ANZ001BT 01.2023