



EXPRESS COLLECTION

FLEXIBLE TRACK SYSTEM FOR TAMBOUR DOORS

EXPRESS COLLECTION

FLEXIBLE TRACK SYSTEM FOR TAMBOUR DOORS

Tambour cabinets no longer have to be square. Creative, curved cabinet designs are now possible with the introduction of the REHAU Flexible Track System. This unique running track achieves multiple angles, making it the optimal choice for curved cabinet configurations. This track can be used with any REHAU tambour door profile from the Express Collection.

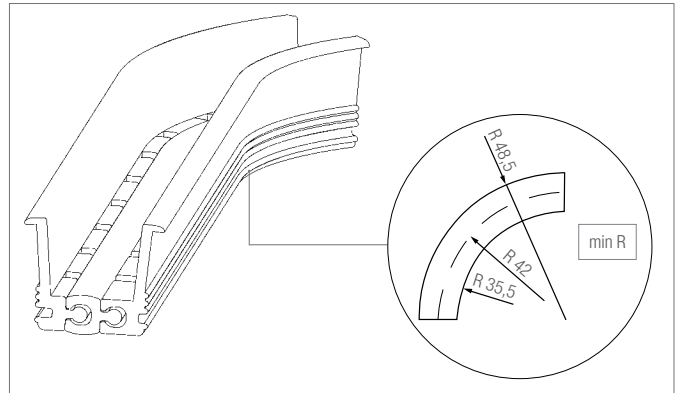
The perfect solution for easy fabrication of tambour door applications and designs, the flexible track has the following features:

- Three-piece polypropylene recessed track allows for sophisticated tambour door applications and designs
- Minimum outside radius of 48.5 mm (1.9")
- Large continuous radii possible
- Easily bendable without heat
- Compatible with REHAU E23 Polymer Line slats and Metallic Line slats

The REHAU Flexible Track System is part of the North American Express Collection stock and is currently available in black (Art. No. 779300-001).

For more information, please contact your local REHAU distributor or one of the REHAU Sales Offices in your area.

East Coast/Central U.S. (866) 734-2869
West Coast U.S. (800) 944-1011
Eastern Canada (800) 361-0830
Ontario (800) 561-9609
Western Canada (800) 668-1173
Celaya, Mexico (461) 618-8000
Monterrey, Mexico (81) 8121-0130



For updates to this publication, visit na.rehau.com/resourcecenter

The information contained herein is believed to be reliable, but no representations, guarantees or warranties of any kind are made as to its accuracy, suitability for particular applications or the results to be obtained therefrom. Before using, the user will determine suitability of the information for user's intended use and shall assume all risk and liability in connection therewith. To the extent permitted by law, REHAU EXPRESSLY DISCLAIMS ALL IMPLIED WARRANTIES, INCLUDING BUT NOT LIMITED TO, ANY IMPLIED WARRANTIES OF MERCHANTABILITY OR OF FITNESS FOR A PARTICULAR PURPOSE.

© REHAU Incorporated 2008 Printed in USA