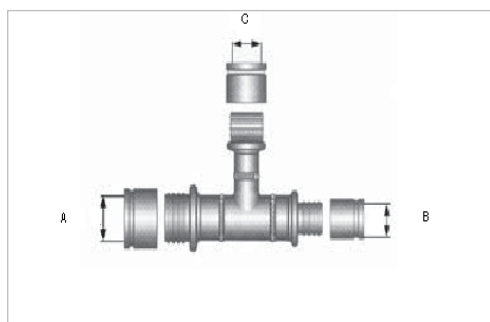


## PRODUCT SUBMITTAL 912

Product: **SDR 11 Carbon Steel Tees with Sleeves**  
Date: **01 January 2018 (supersedes 01 January 2017)**



Article No.	Nominal Size (mm) A x B x C
222684-001	40 x 32 x 25
222704-001	50 x 40 x 40
222714-001	63 x 50 x 25
241194-001	75 x 63 x 25
241214-	70 x 63 x 40
241304-001	90 x 75 x 25
241314-001	90 x 75 x 32
241324-001	90 x 75 x 40
241334-	90 x 75 x 50
241344-	90 x 75 x 63
241354-	90 x 75 x 75
241364-001	90 x 90 x 25
241394-	90 x 90 x 50
241414-001	90 x 90 x 75
241434-001	110 x 90 x 25
241444-001	110 x 90 x 32
241454-001	110 x 90 x 40
241464-001	110 x 90 x 50
241474-001	110 x 90 x 63
241484-001	110 x 90 x 75
241494-001	110 x 90 x 90

For updates to this publication, visit [na.rehau.com/resourcecenter](http://na.rehau.com/resourcecenter)  
The information contained herein is believed to be reliable, but no representations, guarantees or warranties of any kind are made as to its accuracy, suitability for particular applications or the results to be obtained therefrom. Before using, the user will determine suitability of the information for user's intended use and shall assume all risk and liability in connection therewith. © 2018 REHAU

241504-001	110 x 110 x 25
241524-001	110 x 110 x 40
241554-001	110 x 110 x 75
241564-001	110 x 110 x 90
310318-001	125 x 110 x 25
310317-001	125 x 110 x 32
310316-001	125 x 110 x 40
310308-001	125 x 110 x 50
310307-001	125 x 110 x 63
310306-001	125 x 110 x 75
301889-001	125 x 110 x 90
301888-001	125 x 110 x 110
301897-001	125 x 110 x 125
301906-001	125 x 125 x 25
301905-001	125 x 125 x 32
304004-001	125 x 125 x 40
301896-001	125 x 125 x 50
301895-001	125 x 125 x 63
352896-001	125 x 125 x 75
352897-001	125 x 125 x 90
352899-001	125 x 125 x 110
352898-001	125 x 125 x 125

**TECHNICAL DESCRIPTION**

Material – Fitting	Carbon steel (St 37)
Material – Sleeves	Size 63 is brass rod (CuZn39Pb3) Sizes 75-160 are bronze rod (Gunmetal Rg 7)

**FUNCTIONAL DESCRIPTION**

SDR11 compression-sleeve fittings are designed for all heating and snow and ice melting applications as well as hydronic distribution connections. SDR11 compression-sleeve fittings and compression sleeves can be walled in, including applications above the ceiling, or embedded directly in a thermal mass. In both cases, check local code compliance. Installation in thermal mass requires the fittings and sleeves to be wrapped in waterproof, rubber tape or RAUCROSS™ heat shrink tubing to help reduce corrosion caused by the surrounding environment.

Installation is performed with SDR11 compression-sleeve tools. Tapered end of sleeve installs toward fitting. Follow all published installation instructions. Not certified for potable water.