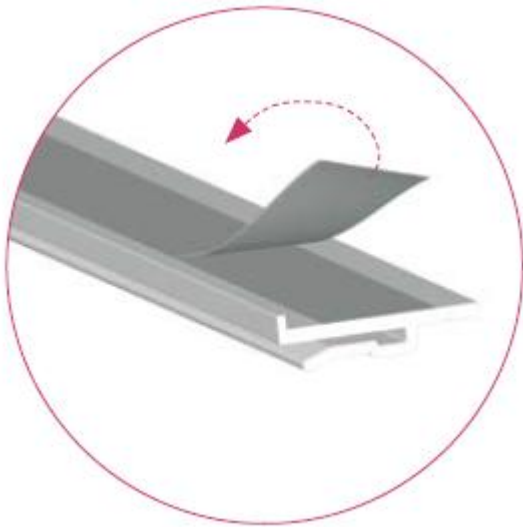


---

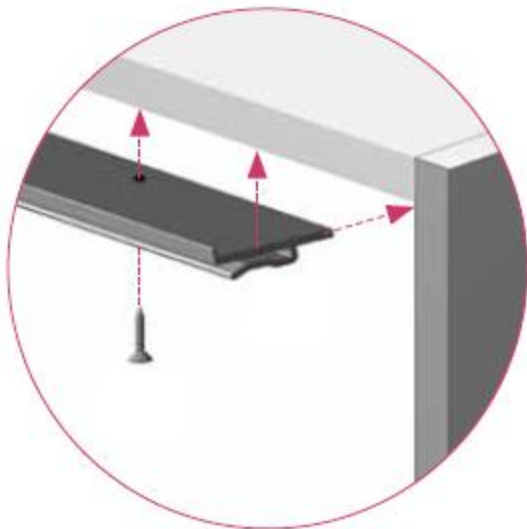
# TAMBOUR DOOR INSTRUCTIONS

## FRAME COVER PROFILE MOUNTING PIECE

**Step 1:** Remove the adhesive strip from the top of the mounting piece.



**Step 2:** Attach the mounting piece to the cabinet top making sure it is centered between the side walls. Fasten in place with screws.



**Step 3:** To complete door installation, insert the cover profile into the mounting piece clip.

