



RAUVOLET OFFICE TAMBOUR DOOR SYSTEMS

Technical Information

This 'RAUVOLET Office tambour door system'
Technical Information is valid from September
2016.

This document is protected by copyright. Any rights
derived from this, in particular those related to
translation, reproduction, removal of illustrations,
radio broadcasts, photomechanical or similar
reproduction and storage on data processing
systems, are reserved.

All dimensions and weights are approximate.
Subject to errors and changes.

CONTENTS

| | | | | | |
|----------|---|----------|----------|--|-----------|
| 1 | Information and safety notes | 4 | 4 | Product series overview | 11 |
| 2 | Product Information | 6 | 4.2 | Horizontal use - horizontal cabinet | 11 |
| 2.2 | Dimensions and permitted deviations | 6 | 4.2.1 | Horizontal cabinet designs | 11 |
| 2.2.1 | Tambour door carpet tolerances | 6 | 4.2.2 | Types of tracks | 11 |
| 2.2.2 | Tolerances for vertical pelmet profiles | 6 | 4.2.3 | Track systems | 12 |
| 2.2.3 | Tolerances for slam rail profiles | 6 | 4.2.4 | Tambour door | 19 |
| 2.2.4 | Longitudinal warpage of profiles | 6 | 4.2.5 | Slam rails | 23 |
| 2.3 | Surface properties and colour | 7 | 4.2.6 | Vertical pelmets | 31 |
| 2.3.1 | Surface properties | 7 | 4.3 | Vertical use – vertical tambour door cabinet | 32 |
| 2.3.2 | Colours | 7 | 4.3.1 | Models for vertical cabinets | 32 |
| 2.3.3 | Surface treatment after delivery | 7 | 4.3.2 | Types of tracks | 32 |
| 2.4 | Material properties | 8 | 4.3.3 | Track systems | 33 |
| 2.4.1 | Cold resistance | 8 | 4.3.4 | Tambour door | 36 |
| 2.5 | Environment / ecology | 8 | 4.3.5 | Slam rails | 37 |
| 2.5.1 | Recycling / disposal | 8 | 4.3.6 | Vertical locks in running track | 42 |
| 2.5.2 | Fire characteristics | 8 | 4.3.7 | Vertical pelmets | 42 |
| 2.5.3 | Calorific value | 8 | 4.3.8 | Balancing mechanisms | 43 |
| 2.5.4 | Physiological characteristics | 8 | 4.4 | Assembly instructions/ installation instructions – document overview | 45 |
| 2.5.5 | Polycyclic aromatic hydrocarbons (PAH) | 8 | | | |
| 2.5.6 | Safety data sheets / REACH regulation | 8 | | | |
| 3 | Practical Information | 9 | | | |
| 3.1 | Storage and handling | 9 | | | |
| 3.2 | Handling Information | 9 | | | |
| 3.3 | Installation Information | 9 | | | |
| 3.4 | Maintenance/repair | 10 | | | |
| 3.5 | Care tips | 10 | | | |
| 3.6 | Service life | 10 | | | |

1 INFORMATION AND SAFETY NOTES

Validity

This Technical Information is valid worldwide.

Version of Technical Information

For your safety and proper use of our products, please check regularly to see whether a newer version of this Technical Information is available. The publication date of your Technical Information can always be found on the right bottom corner of the back page.

You can obtain the latest Technical Information from your REHAU Sales Office.

Navigation

At the beginning of this Technical Information, you will find a detailed table of contents with the hierarchical headings and corresponding page numbers.

Pictograms and logos



Safety information



Legal notice



Important information



Information on the internet



Your benefits

Proper use

RAUVOLET products may only be planned, processed and installed as described in this Technical Information. Any other use is in violation of the specifications and therefore prohibited.

General Information

Applications

RAUVOLET tambour door systems and all components in the systems have been developed specifically for use in home and office interiors. The systems are not intended or tested for outside use.

Suitability of the material

We have compiled a general overview of the current standards for office furniture and related products intended as a useful guide. There is no claim that this overview is complete or lists all existing standards.

- DIN-Fachbericht 147

Requirements and tests of office furniture - Guideline for the security requirements on work tables and storage furniture

- DIN 4543 Office work place - Space for the arrangement and use of office furniture

- DIN EN 14073
Office furniture – Storage furniture

- DIN EN 14074
Office furniture - Tables and desks and storage furniture - Test methods for the determination of strength and durability of moving parts

- DIN 1727
Home furniture – Storage furniture and shelves.

- DIN EN 15186
Furniture - Assessment of the surface resistance to scratching

- DIN ISO 7170
Furniture - Storage units - Determination of strength and durability

- BS 4875-7
Strength and stability of furniture

- DIN 16941
Extruded profiles – General tolerances

- DIN 16901
Plastic – Moulded parts – Tolerances

Advice with regard to usage

Our verbal and written advice with regard to usage is based on experience and is provided to the best of our knowledge, but is to be considered non-binding. Working conditions and different conditions of service beyond our sphere of influence preclude any liability claims relating to our information.

We recommend checking whether the REHAU product is suitable for the intended purpose.

New designs and in-house designs for tambour door cabinets must always be tested by the customer (fatigue testing may be necessary).

We have no control over, and therefore assume no responsibility for, the application, use or processing of the products.

ISO certification

Continuous and stringent quality control is essential for reliably high-quality products, so the profiles listed are only produced in REHAU factories that are certified in accordance with ISO 9001:2008.

The ISO 9001:2008 certificate can be retrieved in the download section of our company website at www.rehau.de.

Liability / warranty

Claims for liability shall be governed exclusively according to our delivery and payment conditions, available at www.rehau.de/LZB. This shall also apply for all warranty claims, with the warranty applying to the consistent quality of our products in accordance with our specifications.

2 PRODUCT INFORMATION

2.1 Product description



REHAU's RAUVOLET tambour door system provides individual solutions for covering cabinet fronts as a space-saving alternative to hinged or folding doors. Tambour door cabinets are essential functional/design elements in contemporary office design, in particular with regard to the floor space norm for office workstations set out in DIN 4543-1.

The extruded tambour door, slam rail and vertical pelmet profiles are made of high-quality talc-filled polypropylene (PP). Accessories are made of materials suited to their various uses, such as polyamide (PA6), polyoxymethylene (POM), acrylonitrile-butadiene-styrene (ABS) and aluminium (Al).

The product range shown here is only a small part of our office products portfolio. We will be glad to offer our advice and support for your special applications and specific requirements.

2.2 Dimensions and permitted deviations

2.2.1 Tambour door carpet tolerances

The tolerances below apply to the manufacture and fabrication of tambour door carpets at REHAU.

Profile length (PL)

PL ≤ 1100: ± 1 mm

PL > 1100: ± 1.5 mm

Multiple lengths: ± 15 mm

Deviating tolerances according to in-house REHAU drawings or on request

Carpet length (CL)

The carpet length is derived by multiplying the profile quantity (PQ) by the corresponding nominal covering width (CW) for the tambour door profile. Tolerances are usually not calculated for carpet lengths, i.e. only the specified profile quantity (PQ) is checked during production.

Carpet length tolerances are only checked and implemented in certain individual cases, if specifically requested and technically feasible. Please therefore assume that the individual profile widths may deviate by up to 3% from the actual nominal covering width, varying by profile and production batch.

If you wish to stop the tambour door carpet at the carpet end or plan for special consistent optical positions such as mid-grip profile, please note that these cannot be implemented with millimetre precision / always at the same position.

Angle tolerances – permitted deviation (PD)

The angle tolerance for the tambour door carpet depends on the number of slats and how the tambour door profiles are joined together (angle deviations are caused by one-sided pushing/pulling). The deviation is specified and tested in millimetres rather than degrees.

If not otherwise defined, permitted tolerances (PD) are as follows:

Carpet length (CL) < 1000 mm: PD = 1 mm / carpet length

Carpet length (CL) ≥ 1000 mm: PD = 1.5 mm / carpet length

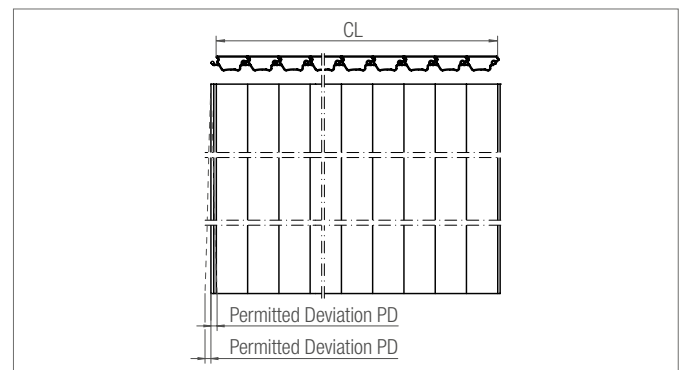


Fig. 2-1 Permitted deviation (PD)

2.2.2 Tolerances for vertical pelmet profiles

Profile length (PL) ± 0.5 mm

Deviating tolerances according to in-house REHAU drawings or on request

2.2.3 Tolerances for slam rail profiles

Profile length (PL) ± 0.5 mm

Deviating tolerances according to in-house REHAU drawings or on request

2.2.4 Longitudinal warpage of profiles

Longitudinal warpage varies by profile. Details can be given on request.

2.3 Surface properties and colour

The following surface properties relate to the outwardly visible main components:

- Tambour door carpets
- Slam rails
- Vertical pelmets



Accessories, such as hidden guide systems, and accessory components are not listed here.

Technical information on the materials not listed can be provided on request.

2.3.1 Surface properties

The material PP (polypropylene) is resistant to scratches from finger nails, and is non-cracking, but does show a visible susceptibility to marking in the form of smooth lines, especially in the case of darker

colours, so for darker colours, the surface may be treated with a protective lacquer. For details contact your Sales Office.

| Property | Test procedure | Plain PP surfaces (un-laquered) | Plain PP surfaces (+ laquer) |
|--|--|--|---|
| Chemical resistance | DIN 68861-1 | 1B | 1B, exceptions: red wine, coffee, mustard |
| Mechanical resistance (scratch resistance) | DIN 68861-4 | 4F | 4E |
| Lattice cut | DIN EN ISO 2409 | – | ≤ Gt 1-2 |
| Light-fastness | derived from EN ISO 4892-2 (Assessment according to blue scale EN ISO 105-B02) | 7 | 7 |
| Gloss level | DIN 67530 - measuring angle 60° | 'Machine gloss' determined by material (normally < 10) | 12 ± 3 Other gloss levels on request |

| Property | Test procedure | Decorated PP surface | |
|--|--|---|-------------------------------|
| Chemical resistance | DIN 68861-1 | 1B, exceptions: ammonia solution, red wine, coffee, mustard | |
| Abrasion characteristics | DIN 68861-2 | 2F | |
| Mechanical resistance (scratch resistance) | DIN 68861-4 | 4E | |
| Lattice cut | DIN EN ISO 2409 | ≤ Gt 0 | |
| Light-fastness | derived from EN ISO 4892-2 (Assessment according to blue scale EN ISO 105-B02) | 7 | |
| Gloss level | DIN 67530 - measuring angle 60° | as per master sample 5 - 30 ± 3 > 30 ± 5 | Other gloss levels on request |

2.3.2 Colours

Products can be finished in plain RAL colours or according to custom colour matching. A large number of decorative options in the design range are already available. These can be adjusted to customer's specific requirements in the REHAU colour laboratory.

Colours and decorations are adjusted as per specification and are optically/visually inspected based on the master sample. No specified tolerance, to be measured by colorimetry, has been determined.

Minimal deviations in colour/decoration (according to specified limit values) between batches is possible and permissible.

2.3.3 Surface treatment after delivery

PP products can be painted after delivery using any kind of paint-application system, however PP does require pre-treatment to reduce surface tension. This can be done by some kind of surface activation process (priming, flame treatment, corona or plasma pre-treatment).

We regret that we cannot make any general recommendation, as there are a large number of different painting systems and suppliers. Please consult your paint supplier. We will be glad to assist if you have any questions.

2.4 Material properties

Material Data Sheets can be downloaded from our website at www.rehau.de.

Detailed material data for individual components can be provided on request.

2.4.1 Cold resistance



RAU-PP-H must not be exposed to impact, bending or jarring at temperatures < 5 °C.

2.5 Environment / ecology

REHAU has introduced an environmental management system in accordance with ISO 14001:2004 and applies it correspondingly.

The ISO 14001:2004 certificate can be downloaded from www.rehau.de.

2.5.1 Recycling / disposal

RAU-PP can be recycled when separated out by material type. Note your locally applicable disposal regulations and guidelines.

2.5.2 Fire characteristics

RAU-PP meets the following fire classes:

| Fire class | Test procedure | Result |
|------------|---|------------------------------------|
| HB | as per UL94 - 3.2 mm (estimate, not listed) | Burns and drips |
| B2 | as per DIN 4102-1 | normally inflammable |
| E | as per DIN EN ISO 15301-1 | |
| M4 | as per NF P 92-501/504/505 | highly inflammable |
| M3 | as per NF P 92-501/504/505 | not standard, possible if required |

2.5.3 Calorific value

For polypropylene (RAU-PP1482 and PP1082) the calorific value is around 27 MJ/kg.

2.5.4 Physiological characteristics

RAU-PP 1482 and PP1082 are non-toxic. The material is practically odour-free and tasteless.

2.5.5 Polycyclic aromatic hydrocarbons (PAH)

Materials for components made of PP, ABS, POM (polyoxymethylene) and PA (polyamide) comply with Category 2 of 'other products' as per § 21 para. 1 no. 3 ProdSG of the 'AfPS GS 2014:01 PAH'.

Multi-use components of the same material are thus also classifiable under Category 2.

The TÜV test report on PAH testing as per 'AfPS GS 2014:01 PAH' is available on request.

2.5.6 Safety data sheets / REACH regulation

The registration and authorisation of chemicals classified by REACH relates only to 'substances', i.e. to chemical elements and compounds, not to formulations and manufactured items. REHAU has taken all necessary measures to fulfil the requirements set out in Regulation (EC) 1907/2006 (REACH).

We do not provide substances or formulations. Therefore, please note that we do not provide safety data sheets for the products we supply, as the regulation does not require such a measure for manufactured items.

3 PRACTICAL INFORMATION

3.1 Storage and handling

It is essential to store profiles and accessories properly, flat, and at temperatures under 30°C.

RAUVOLET tambour door profiles can be stored for at least one year in rooms protected from the weather and from UV radiation.

Glass window panes are generally sufficient protection from UV radiation.

3.2 Handling Information

Before assembly it is important to check whether the parts have suffered damage from e.g. inappropriate transport or storage that may impede their intended use.

The profiles to be used must be acclimatised at normal room temperature (around 20°C). We recommend opening the packaging/boxes to speed up this process.

Accessories made of PA6 (e.g. spiral tracks) may be somewhat more brittle under certain manufacturing/storage conditions (in a very dry environment or season) and may be liable to break when fastened with clips. In such circumstances, the materials must be appropriately conditioned in a damp environment in advance.

They must not be handled at temperatures below 15°C. The systems should ideally be handled and installed at room temperature, and when the profiles themselves are at room temperature.

Boxes and batches of tambour door profiles should not be mixed, as the profiles used for a carpet may vary noticeably in colour if they come from different batches (production periods).

We recommend wearing clean cotton gloves when handling the profiles to avoid causing marking or damage.

3.3 Installation Information

Wooden cabinets can be 'splayed out' for installing and removing tambour door carpets with slam rails. This is done in the centre of the cabinet, vertically to the direction of closure, using a splaying batten (e.g. a timber batten with padded ends) that is around 15 mm longer than the internal width/height.

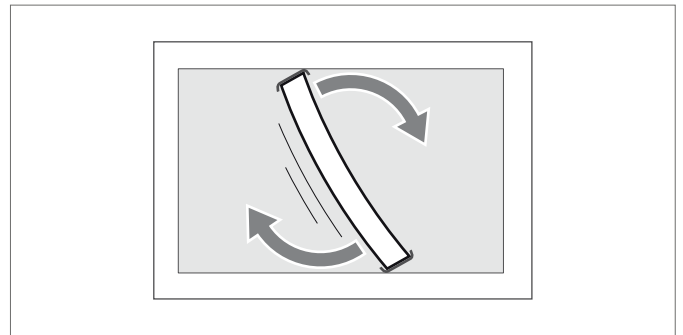


Fig. 3-1 Splaying a wooden cabinet (horizontal direction of closure)

If this is not possible, the cabinet should be designed from the beginning so that the tambour door carpet with slam rail can be removed (e.g. removable cabinet lid or open-ended milled groove on the rear wall).

For high, double-doored horizontal cabinets (e.g. steel cabinets) with a removable centre stop and a tambour door carpet that is not fixed on the back (e.g. SE16 profile), it is possible to install and remove the tambour door carpet with slam rail without splaying. To do this, pull the profiles over the removed centre stop near the track groove so that the tambour door carpet is held straight in the front track. Then tilt the profiles to the side and push them together so that they can be tilted out of or into the upper track groove.



Refer to the corresponding product-specific assembly instructions, see Section "4.4 Assembly instructions/ installation instructions – document overview" on page 45. These assembly instructions can be obtained from your Sales Office.

3.4 Maintenance/repair

To ensure that the tambour door moves smoothly and easily, the whole track system should be treated in the contact area with the silicon-free transparent plastic lubricant we recommend (5 ml tube mat. no. 17799941001, sufficient for around 15 metres of track, i.e. 2–3 cabinets) or purchase track systems with lubrication already implemented.



Fig. 3-2 Plastic lubricant



Using the tambour door system without lubricant may lead to ten-times greater movement forces in comparison to a lubricated system. This significantly impairs quality and functionality and may even cause a malfunction in the system as a whole.

According to the Bavarian State Trade Agency (LGA), operating forces should not exceed 50 N.

The water in REHAU lubricant evaporates quickly, leaving the actual lubricant behind. This results in a dryer surface than would be obtainable after using a purely liquid lubricant, so fewer dust and dirt particles are attracted. Further information on lubricant can be provided on request.



We generally do not recommend using liquid lubricants, as these will run down the surface of the tambour door and may ruin its appearance.

Our tambour door systems and balancing systems are normally maintenance-free. However, it is recommended that the track system be regularly re-treated with lubricant, depending on frequency of use, duration of use and environmental conditions.

3.5 Care tips

Plastic surfaces should be cleaned all over and evenly with a soft damp cloth. Marks that are hard to clean can be removed by using commercially available liquid cleaning agents (glass cleaner, washing-up liquid). Before using these agents, check their suitability by testing on an out-of-view spot.



Solvents such as turpentine, acetone, benzine and cleaning agents containing alcohol (isopropanol) should not be used, as they will have a chemical reaction with the polypropylene. Abrasive or scouring agents may scratch the surface and must not be used.

3.6 Service life

We intensively test the component service life in our tambour door test facility, based on DIN EN 14074 (no. 6.4) 'Office furniture - Tables and desks and storage furniture - Test methods for the determination of strength and durability of moving parts'. Components easily withstand the 20,000 test cycles specified by this standard. However this does assume that the components recommended by REHAU are employed, the relevant assembly instructions and maintenance instructions (lubrication of the track system) are complied with, and using only stable cabinets with side walls, floors and roofs in true parallel / at precise right angles.

In special cases you can contract REHAU to check your tambour door cabinets.

4 PRODUCT SERIES OVERVIEW

4.1 Tambour door running direction – horizontal and vertical cabinets

Tambour doors can be designated for either horizontal or vertical use, depending on the direction the tambour door travels in the cabinet.

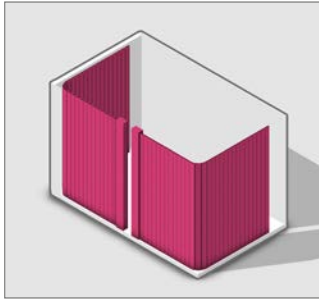


Fig. 4-1 Horizontal cabinet (transverse tambour door cabinet)

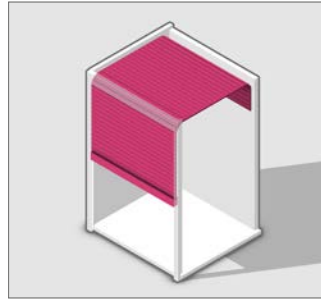


Fig. 4-2 Vertical cabinet

4.2 Horizontal use - horizontal cabinet

4.2.1 Horizontal cabinet designs

For wooden cabinets, there are two main designs:

- flush cabinet (side walls, roof and floor panels are flush)
- projecting cabinet (floor and/or roof panels protrude from the side walls).

These two models mean differing specifications for the track system and related components.

For horizontal travel, the track systems are attached to the top and bottom of the cabinet. There are one-door and two-door models.

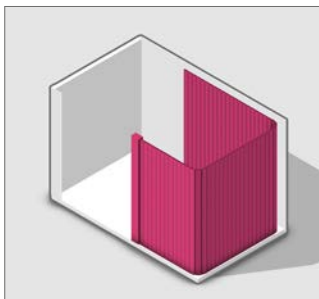


Fig. 4-3 One-door model

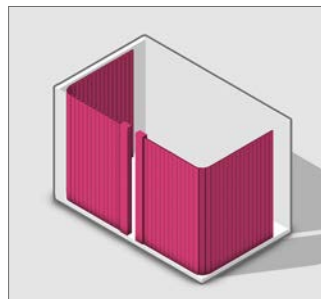


Fig. 4-4 Two-door model

One-door models can be left-locking or right-locking.

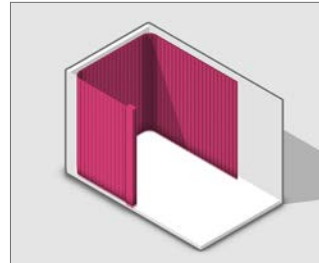


Fig. 4-5 One-door, right-locking (opening to the left)

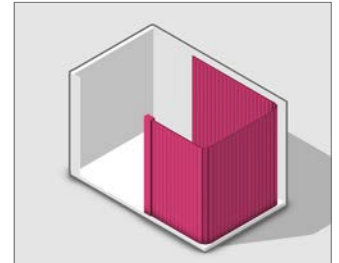


Fig. 4-6 One-door, left-locking (opening to the right)

Applications and possible cabinet sizes are described in Section 4.2.4.

4.2.2 Types of tracks

Cabinet tambour door carpets are usually run along U-rails that are typically recessed for wooden cabinets and top-mounted for metal cabinets (riveted, screw fixed or glued).

There are three basic types of tracks:



Fig. 4-7 groove mounted (milled)



Fig. 4-8 top mounted (screwed)



Fig. 4-9 front mounted (screwed)

A further difference is whether the tambour door carpet runs back parallel to the rear wall or to the side in a spiral track.

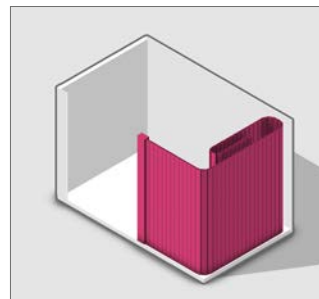


Fig. 4-10 Tambour door running to the side in a spiral track

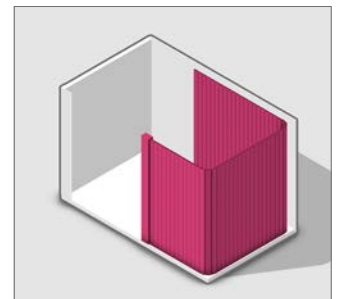


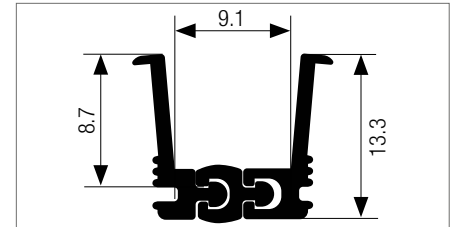
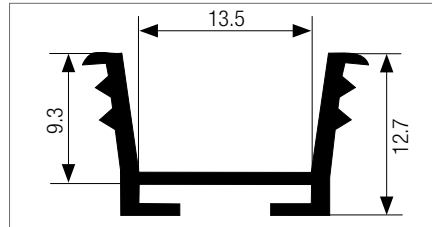
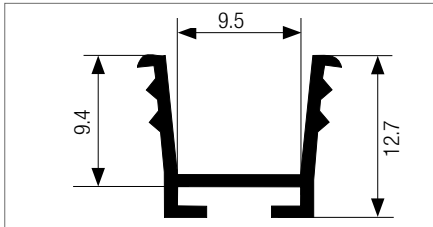
Fig. 4-11 Tambour door running parallel to the rear wall

4.2.3 Track systems

4.2.3.1 Classic track system



Formula for calculating profile length PL with 3 mm clearance for the Classic track system (does not apply to flexible running track): **clear cabinet height LH + 14 mm**; example: clear cabinet height 1042 mm + 14 mm = 1056 mm profile length



Running track 8 mm

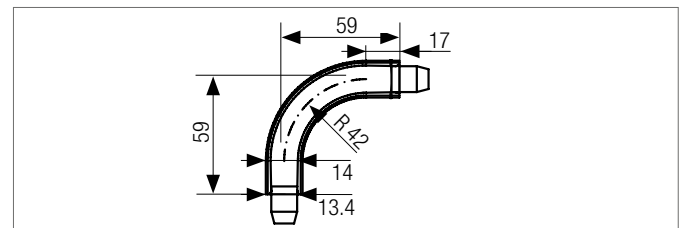
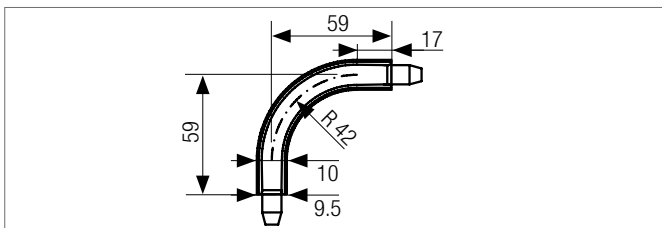
| | |
|----------------------------|---|
| Mat. no. without lubricant | 1770693xxxx / 1770383xxxx / 1957811xxxx |
| Mat. no. with lubricant | 1703891xxxx / 1703887xxxx / 1953704xxxx |
| Material | PP / PVC / ABS |
| Standard colour | Black |
| Track width W | 9.5 mm |
| Track depth D | 8.6 mm |
| Groove width MW | 13.0 mm |
| Groove depth MD | 12.5 mm |

Running track 12 mm

| | |
|----------------------------|---|
| Mat. no. without lubricant | 1770793xxxx / 1612123xxxx / 1957791xxxx |
| Mat. no. with lubricant | 1703886xxxx / 1607086xxxx / 1953706xxxx |
| Material | PP / PVC / AB |
| Standard colour | Black |
| Track width W | 13.5 mm |
| Track depth D | 8.6 mm |
| Groove width MW | 17.0 mm |
| Groove depth MD | 12.5 mm |

Flexible running track 8 mm

| | |
|-----------------|------------------|
| Material number | 1770709xxxx |
| Material | PP |
| Standard colour | Black |
| Track width W | 9.1 mm |
| Track depth D | 8.0 mm |
| Groove width MW | 13.0 mm |
| Groove depth MD | 12.5 mm |
| Bending radius | $R_m \geq 42$ mm |

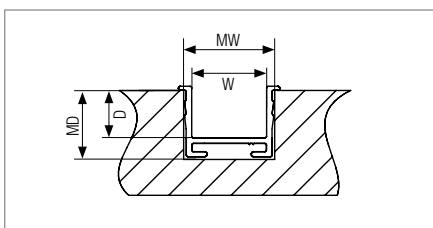


90° connector 8 mm

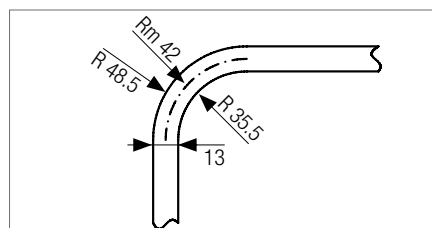
| | |
|----------------------------|-------------|
| Material number | 1266212xxxx |
| Material | PA6 |
| Standard colour | Black |
| Track width W | 9.5 – 10 mm |
| Track depth D | 8.6 mm |
| Groove width MW | 13.0 mm |
| Groove depth MD | 12.5 mm |
| Centre groove radius R_m | 42 mm |

90° connector 12 mm

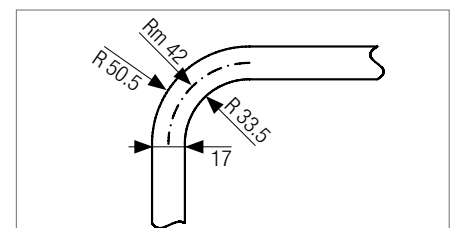
| | |
|----------------------------|--------------|
| Material number | 1266222xxxx |
| Material | PA6 |
| Standard colour | Black |
| Track width W | 13.4 – 14 mm |
| Track depth D | 8.6 mm |
| Groove width MW | 17.0 mm |
| Groove depth MD | 12.5 mm |
| Centre groove radius R_m | 42 mm |



Track width and track depth – cross-section of milled groove with running track

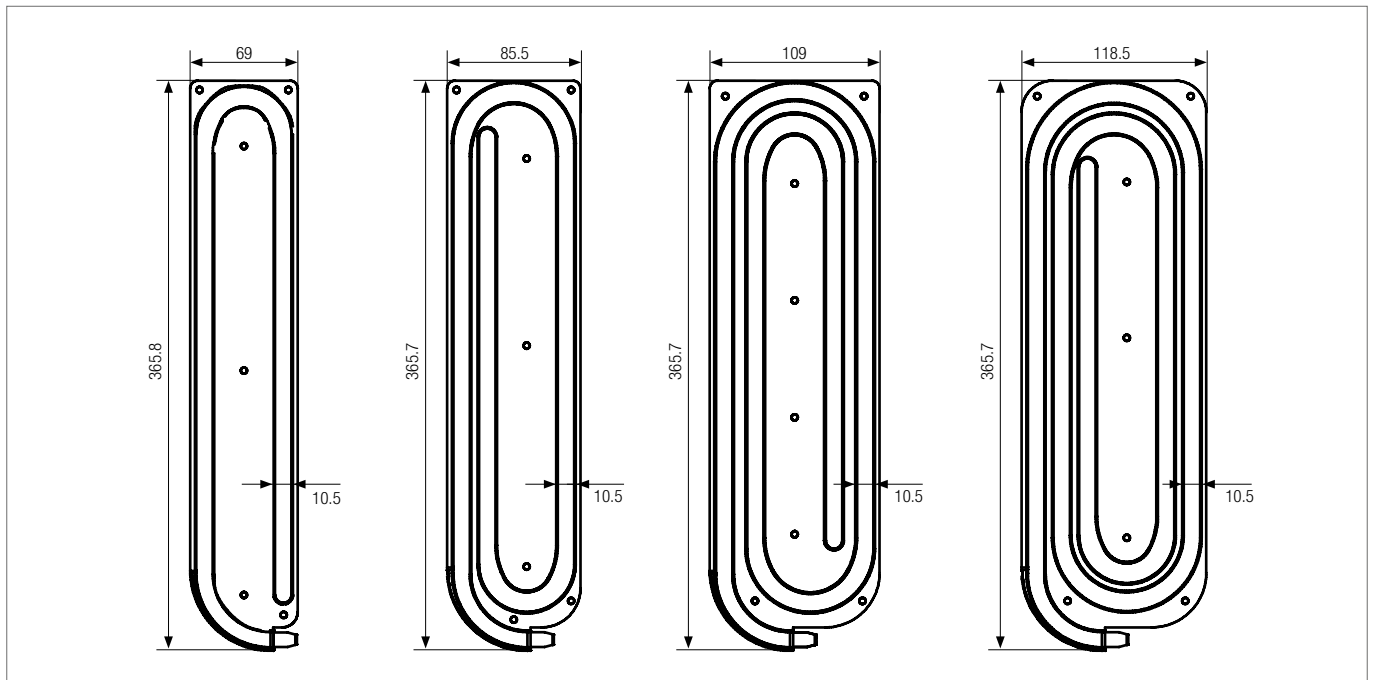


Milling contour 90° connector 8 mm and minimal permitted radius for flexible running track



Milling contour 90° connector 12 mm

Classic spiral track



Spiral track 8 mm

Material PA

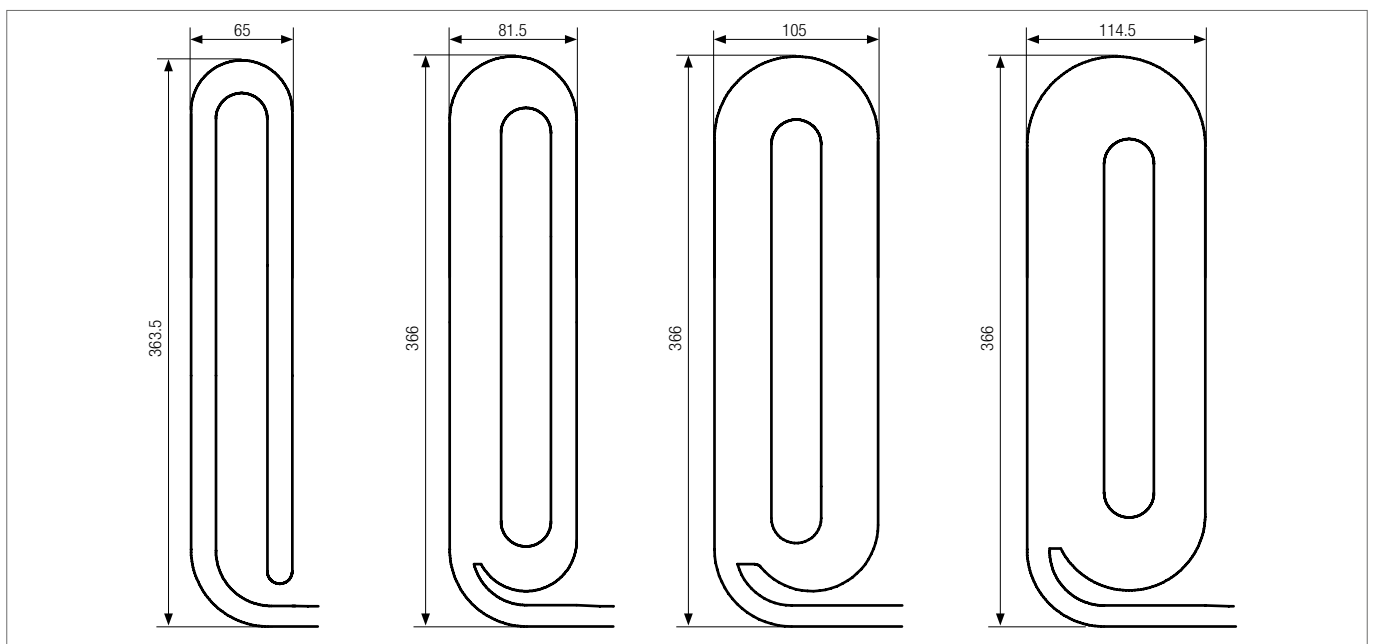
Standard colour Black

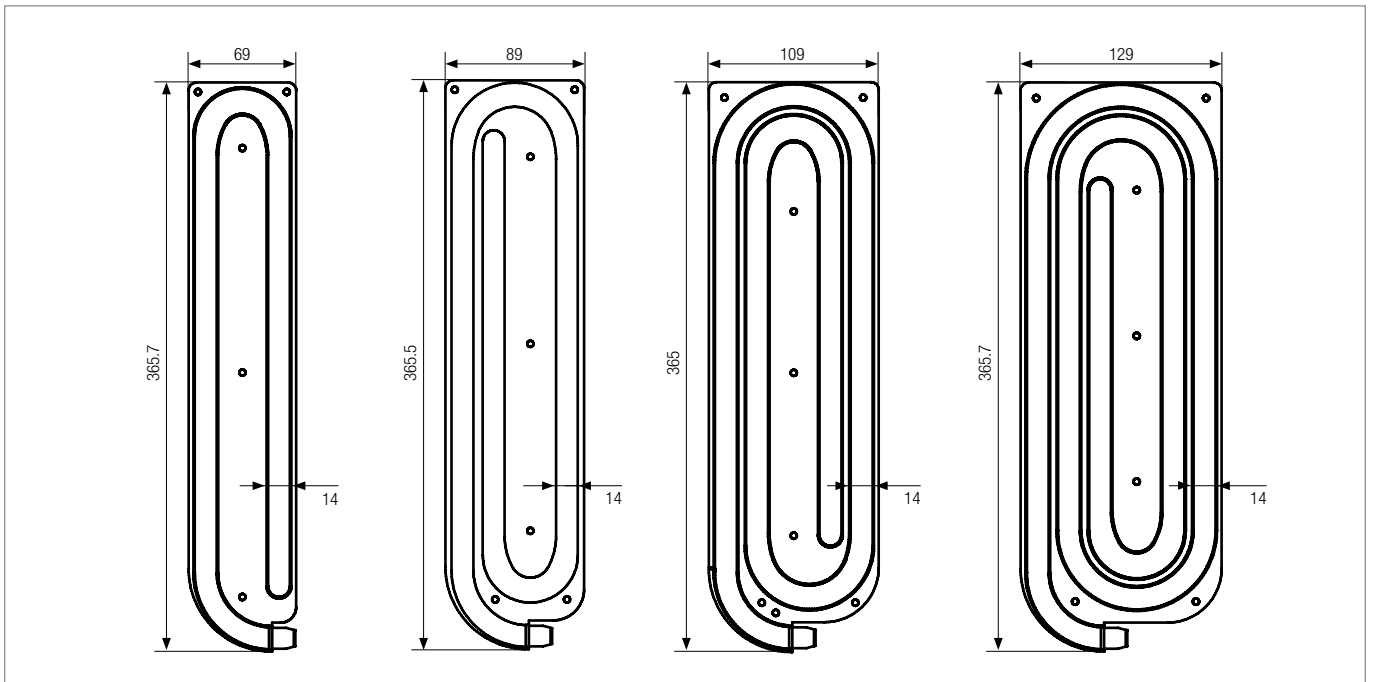
| | Mat. no. with / without lubricant | Track capacity ¹⁾ | Max. recommended cabinet width |
|--------|-----------------------------------|------------------------------|--------------------------------|
| 2-loop | 1260645xxxx / 1317504xxxx | 725 mm | 800 mm |
| 3-loop | 1267069xxxx / 1318729xxxx | 1091 mm | 1100 mm |
| 4-loop | 1260635xxxx / 1317505xxxx | 1418 mm | 1500 mm |
| 5-loop | 1265955xxxx / 1317506xxxx | 1739 mm | 1800 mm |

1) maximum fully extended length of the track groove from the start area to the tuck-in lug

Milling contours can be provided in the form of a special DXF data record.

Milled depth MD: 12.5 mm





Spiral track 12 mm

Material PA

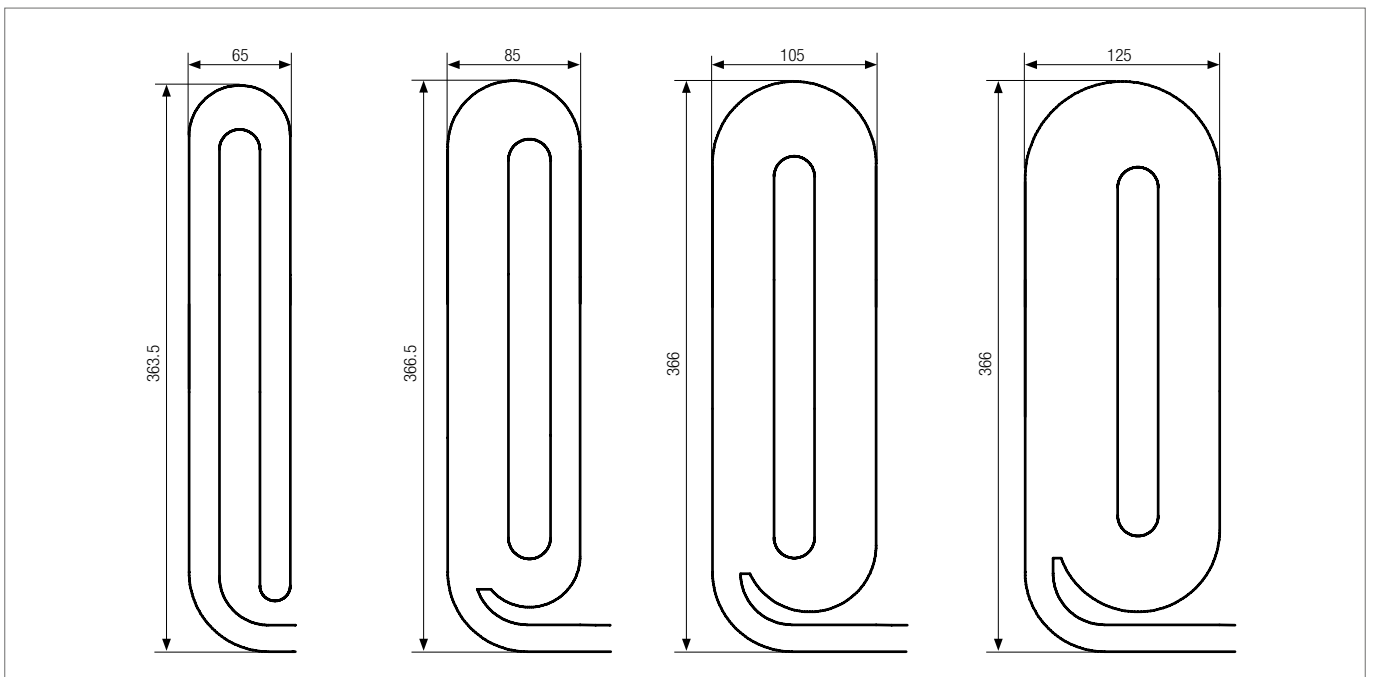
Standard colour Black

| | Mat. no. with / without lubricant | Track capacity ¹⁾ | Max. recommended cabinet width |
|--------|-----------------------------------|------------------------------|--------------------------------|
| 2-loop | 1269372xxxx / 1318883xxxx | 725 mm | 800 mm |
| 3-loop | 1264585xxxx / 1318884xxxx | 1091 mm | 1100 mm |
| 4-loop | 1260625xxxx / 1318899xxxx | 1418 mm | 1500 mm |
| 5-loop | 1260615xxxx / 1318905xxxx | 1739 mm | 1800 mm |

1) maximum fully extended length of the track groove from the start area to the tuck-in lug

Milling contours can be provided in the form of a special DXF data record.

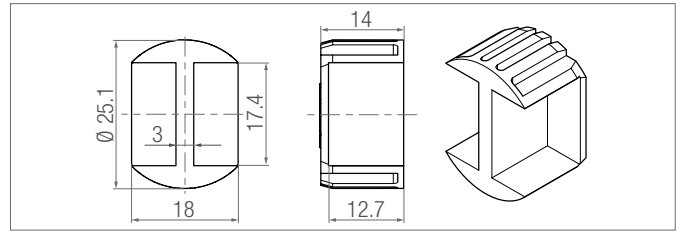
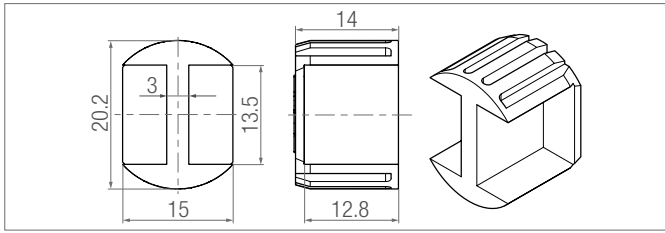
Milled depth MD: 12.5 mm



Classic centre stop

Centre stops are used on two-door cabinets so that the slam rails can be stopped at the desired/centre position.

For the recessed Classic system, there are centre stops for both 8 mm and 12 mm widths and for the various slam rails.

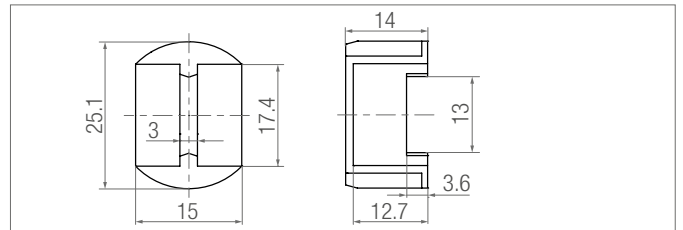
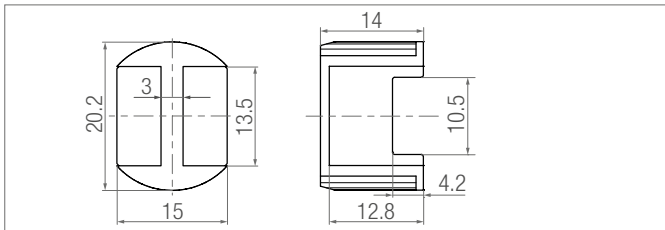


Centre stop system 8 mm standard

| | |
|-----------------|-------------|
| Material number | 1262424xxxx |
| Material | PA6 |
| Standard colour | Black |
| Diameter | 20.2 mm |
| Height | 14 mm |
| Milled diameter | 20 mm |
| Milled depth | 14 mm |

Centre stop system 12 mm standard

| | |
|-----------------|-------------|
| Material number | 1266951xxxx |
| Material | PA6 |
| Standard colour | Black |
| Diameter | 25.1 mm |
| Height | 14 mm |
| Milled diameter | 25 mm |
| Milled depth | 14 mm |



Centre stop system 8 mm with cut-out

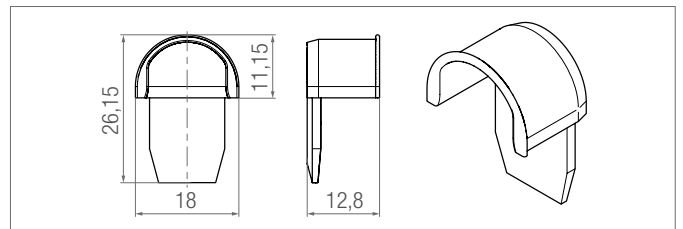
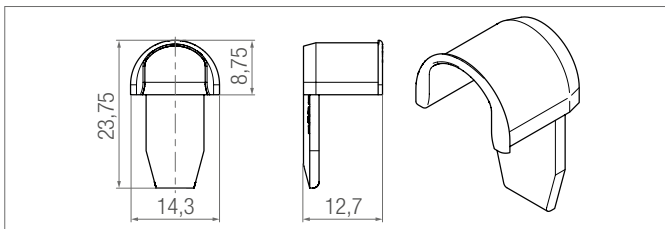
| | |
|-----------------|-------------|
| Material number | 1246793xxxx |
| Material | PA6 |
| Standard colour | Black |
| Diameter | 20.2 mm |
| Height | 14 mm |
| Milled diameter | 20 mm |
| Milled depth | 14 mm |

Centre stop system 12 mm with cut-out

| | |
|-----------------|-------------|
| Material number | 1248866xxxx |
| Material | PA6 |
| Standard colour | Black |
| Diameter | 25.1 mm |
| Height | 14 mm |
| Milled diameter | 25 mm |
| Milled depth | 14 mm |

Insert for aluminium slam rails with cover, see Section 4.2.5.

Insert for aluminium slam rails with cover, see Section 4.2.5.



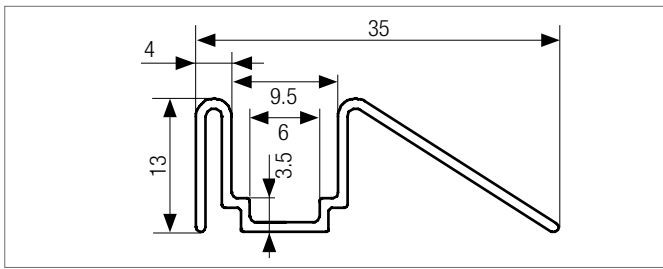
End cap system 8 mm

| | |
|-----------------|-------------|
| Material number | 1241230xxxx |
| Material | PS |
| Standard colour | Black |

End cap system 12 mm

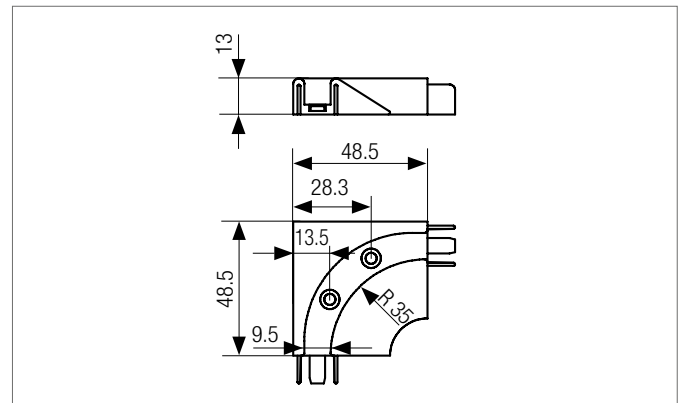
| | |
|-----------------|-------------|
| Material number | 1228656xxxx |
| Material | PP |
| Standard colour | Black |

4.2.3.2 TOP Basic track system



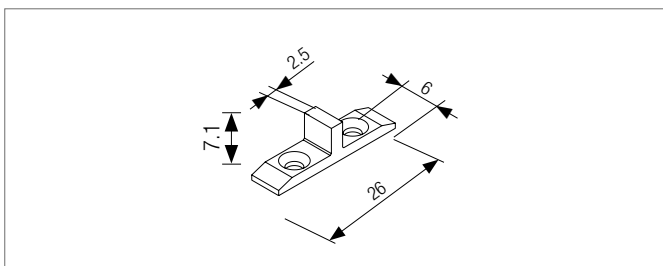
TOP Basic running track

| | |
|-----------------|--------------|
| Material number | 1702382xxxx |
| Material | PP |
| Standard colour | as specified |



90° connector TOP Basic

| | |
|-----------------|------------------|
| Material number | 1248906xxxx |
| Material | PA6 |
| Standard colour | as running track |



TOP Basic centre stop

| | |
|-----------------|--------------|
| Material number | 1779980xxxx |
| Material | PA6 |
| Standard colour | as specified |

Running track installation situation

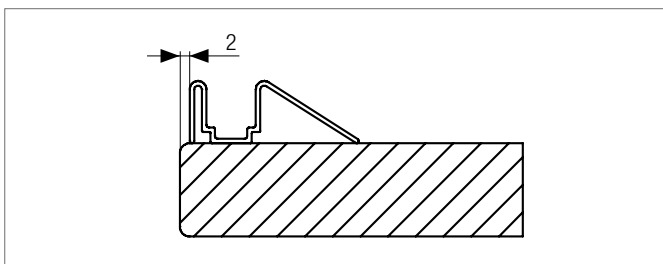
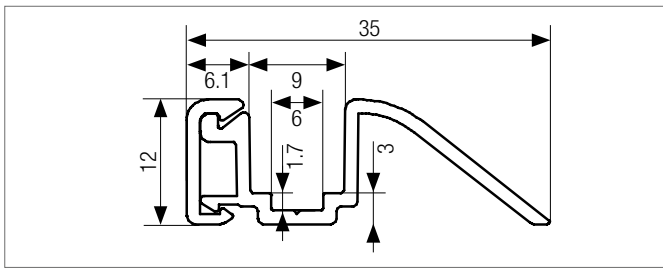


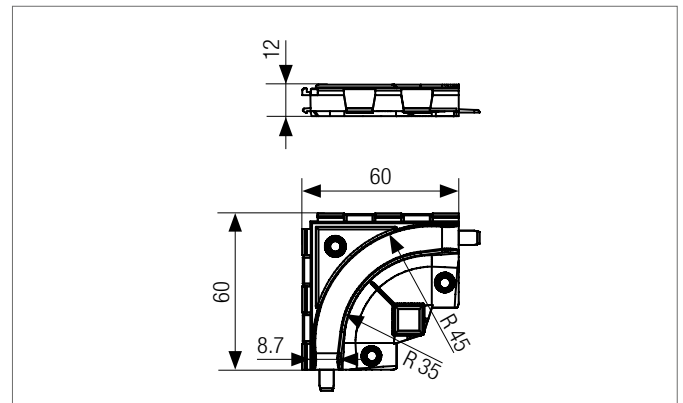
Fig. 4-12 Running track section on panel with recommended spacing

To install the track system please refer to our assembly instructions (see Section 4.4).

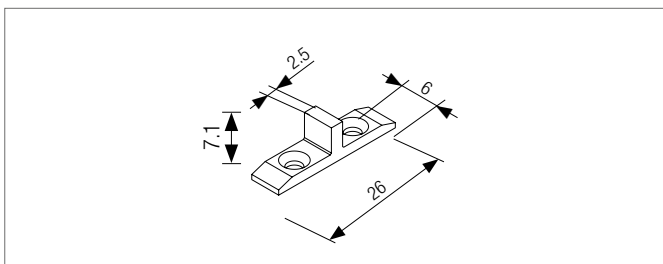
4.2.3.3 TOP track system



| TOP running track | |
|---------------------------------|--------------|
| Aluminium base | |
| Material number | 1224876xxxx |
| Material | Aluminium |
| Surface | anodised |
| Aluminium cover profile | |
| Material number | 1224877xxxx |
| Material | Aluminium |
| Surface | anodised |
| Plastic cover profile | |
| Material number plain | 1702156xxxx |
| Material number plain + lacquer | 1702157xxxx |
| Material number decorative | 1702158xxxx |
| Material | PP |
| Colour | as specified |



| 90° connector TOP / FRAME | |
|---------------------------|-------------|
| Material number | 1226263xxxx |
| Material | PA6 |
| Standard colour | Black |



| TOP centre stop | |
|-----------------|--------------|
| Material number | 1779980xxxx |
| Material | PA6 |
| Standard colour | as specified |

Running track installation situation

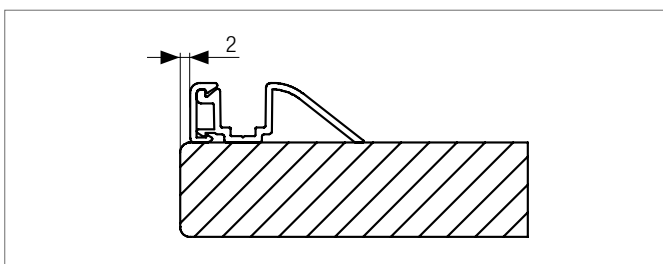
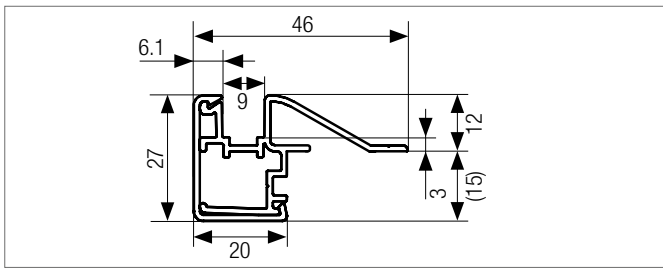


Fig. 4-13 Running track section on panel with recommended spacing

To install the track system please refer to our assembly instructions (see Section 4.4).

4.2.3.4 FRAME track system



FRAME running track

Aluminium base

Material number 1779550xxxx

Material Aluminium

Surface anodised

Aluminium cover profile

Material number 1224879xxxx

Material Aluminium

Surface anodised

Plastic cover profile

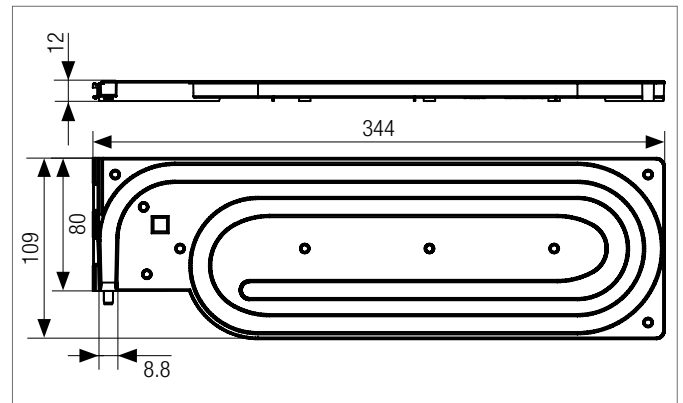
Material number plain 1702153xxxx

Material number plain + lacquer 1702154xxxx

Material number decorative 1702155xxxx

Material PP

Colour as specified



TOP / FRAME spiral track

Material number 1224884xxxx

Material PA6

Standard colour Black

Track capacity 1240 mm (max. 1400 mm cabinet width)

Running track installation situation

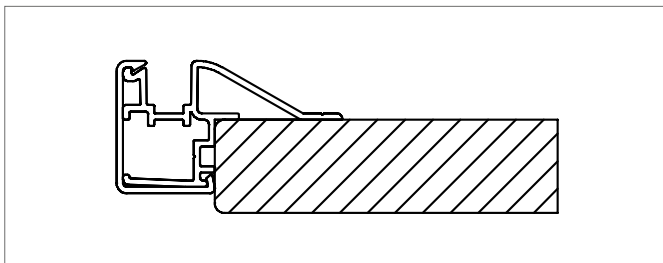


Fig. 4-14 Running track section on panel

To install the track system please refer to our assembly instructions (see Section 4.4).

Please note that this Technical Information cannot show every single technically feasible combination of the various components.

4.2.4 Tambour door

4.2.4.1 Tambour door profiles

The element-type tambour door sets new standards for functionality and design. It features a special jointing technique in the form of a soft hinge, which optimises its running properties and makes smaller radii feasible (inside radius ≥ 35 mm).

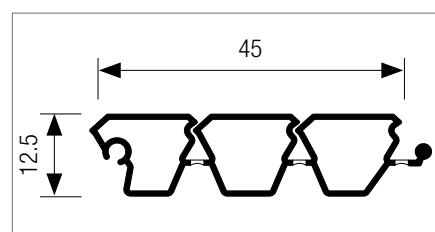
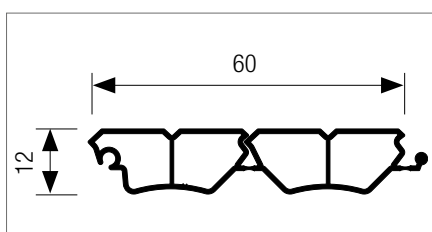
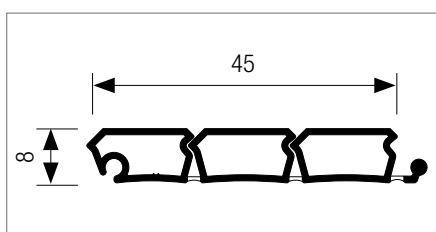
Tambour door profiles are available for both 8 mm and 12 mm track systems.



There is a special Technical Information for the acoustic line (print number B32600).



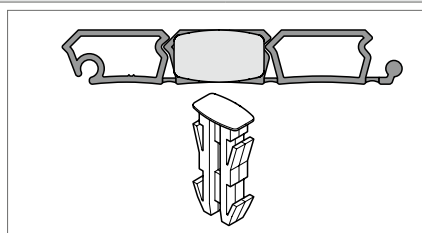
We recommend using the glide (where available) to improve the system's running properties. Please also note the tambour door / track system care instructions in Section 3.1.



Profile E23

| | |
|--------------------------|------------------|
| Mat. no. plain | 1770655xxxx |
| Mat. no. plain + lacquer | 1770875xxxx |
| Mat. no. decorative | 1770885xxxx |
| Material | PP-TD / TPS-SEBS |
| nominal covering width | 45 mm |
| Profile height | 8 mm |

Glide

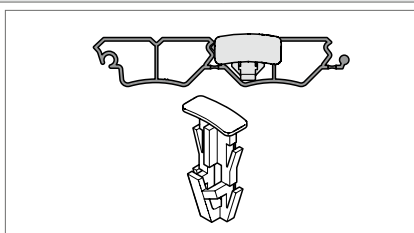


| | |
|---------------------|-------------------|
| Mat. no. | 1269973xxxx |
| Material | POM |
| Colour | natural |
| Sliding head height | 1.5 mm |
| Sliding head width | 8.1 ± 0.25 mm |

Profile E4

| | |
|--------------------------|------------------|
| Mat. no. plain | 1704869xxxx |
| Mat. no. plain + lacquer | 1704997xxxx |
| Mat. no. decorative | 1704998xxxx |
| Material | PP-TD / TPS-SEBS |
| nominal covering width | 60 mm |
| Profile height | 12 mm |

Glide

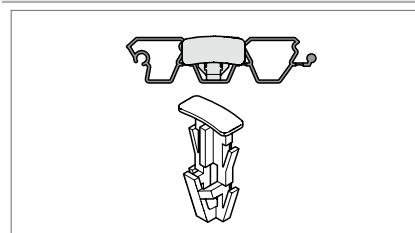


| | |
|---------------------|----------------|
| Mat. no. | 1269546xxxx |
| Material | POM |
| Colour | natural |
| Sliding head height | 1.5 mm |
| Sliding head width | 8 ± 0.1 mm |

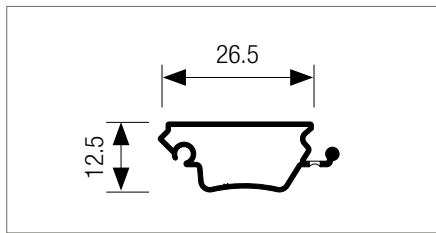
Profile E8

| | |
|--------------------------|------------------|
| Mat. no. plain | 1770619xxxx |
| Mat. no. plain + lacquer | 1770629xxxx |
| Mat. no. decorative | 1770639xxxx |
| Material | PP-TD / TPS-SEBS |
| nominal covering width | 45 mm |
| Profile height | 12.5 mm |

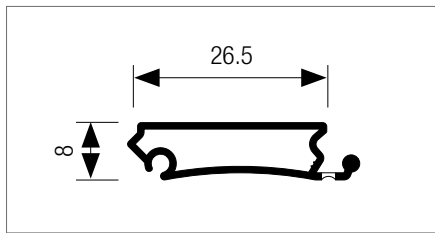
Glide



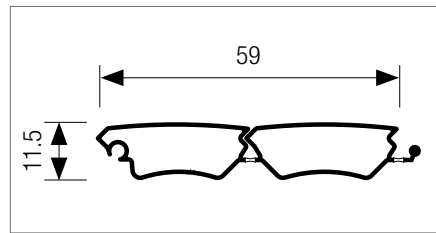
| | |
|------------------------|----------------|
| Mat. no. | 1269546xxxx |
| Material | POM |
| Colour | natural |
| Sliding head height | 1.5 mm |
| Sliding head width | 8 ± 0.1 mm |
| Slide in middle cavity | |



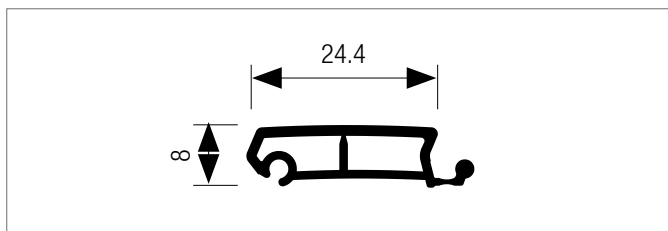
| Profile SE26 | |
|--------------------------|------------------|
| Mat. no. plain | 1750114xxxx |
| Mat. no. plain + lacquer | 1750124xxxx |
| Mat. no. decorative | 1750144xxxx |
| Material | PP-TD / TPS-SEBS |
| nominal covering width | 26.5 mm |
| Profile height | 12.5 mm |



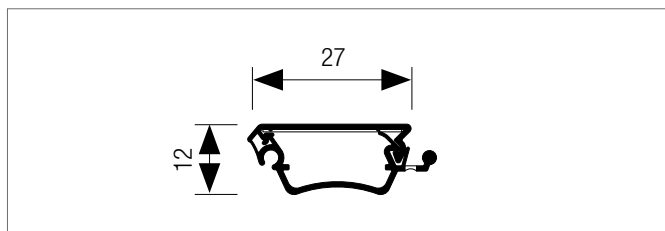
| Profile E9 | |
|--------------------------|------------------|
| Mat. no. plain | 1750139xxxx |
| Mat. no. plain + lacquer | 1750149xxxx |
| Mat. no. decorative | 1750159xxxx |
| Material | PP-TD / TPS-SEBS |
| nominal covering width | 26.5 mm |
| Profile height | 8 mm |



| Profile SE16 | |
|--------------------------|------------------|
| Mat. no. plain | 1701622xxxx |
| Mat. no. plain + lacquer | 1702893xxxx |
| Mat. no. decorative | 1702894xxxx |
| Material | PP-TD / TPS-SEBS |
| nominal covering width | 59 mm |
| Profile height | 11.5 mm |

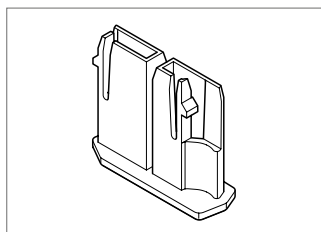


| Profile ML25 | |
|----------------------------|------------------------|
| Mat. no. (Alu E6EV1) | 1770647xxxx |
| Material | ALU / PP-GF / TPS-SEBS |
| nominal covering width | 24.4 mm |
| Profile height | 8 mm |
| Glide, left-locking top | Mat. no. 1354331xxxx |
| Glide, left-locking bottom | Mat. no. 1354332xxxx |

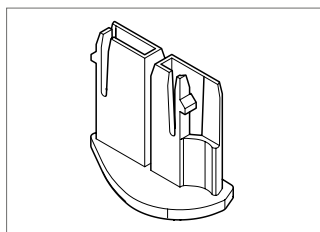


| Profile AL12 | |
|--------------------------|--------------------------------------|
| Mat. no. plain | 1750574xxx |
| Mat. no. plain + lacquer | 1750584xxxx |
| Mat. no. decorative | 1750594xxxx |
| Material | PP-TD/ TPS-SEBS / non-woven material |
| Material colour | see separate Technical Information |
| nominal covering width | 27 mm |
| Profile height | 12 mm |
| Glide | 1350177xxxx and 135175xxxx |

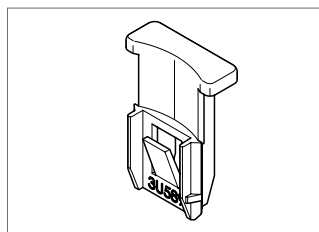
Glide



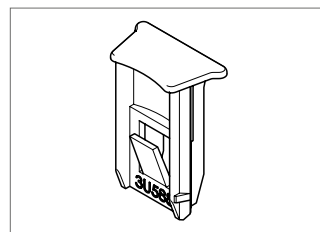
| Glide 8 mm | |
|------------------------------|--------------|
| Mat. no. left locking top | 1354331xxxx |
| Mat. no. left locking bottom | 1354332xxxx |
| Material | POM |
| Colour | Black |
| Sliding head height | 1.4 mm |
| Sliding head width | 8.2 ± 0.1 mm |



| Glide 12 mm | |
|---------------------|---------------|
| Mat. no. twin | 1354079xxxx |
| Material | POM |
| Colour | Black |
| Sliding head height | 2.8 mm |
| Sliding head width | 12.1 ± 0.1 mm |



| Glide 8 mm | |
|---------------------|--------------|
| Mat. no. | 1350175xxxx |
| Material | POM |
| Colour | natural |
| Sliding head height | 3 mm |
| Sliding head width | 8.5 – 0.2 mm |



| Glide 12 mm | |
|---------------------|---------------|
| Mat. no. | 1350177xxxx |
| Material | POM |
| Colour | natural |
| Sliding head height | 1.5 mm |
| Sliding head width | 12.4 ± 0.1 mm |

4.2.4.2 Fabrication as a tambour door carpet

Slats pushed together to make a tambour door carpet must be connected with each other to ensure better handling and later assembly in the cabinet (two-door steel cabinets are an exception). Tambour door profiles not fixed at the back rub against each other.

There are two different options for fixing profiles at the back, depending on the criteria of each individual job.

Procedure 1: Affix a special adhesive tape to the back of the tambour door carpet

Benefits:

- Tambour door profiles can also be fabricated and connected manually at a later time.
- Once fastened in this way, tambour door carpets can be shortened as required.

Disadvantage:

- It is more difficult to apply the adhesive tape to 12 mm tambour door profiles.

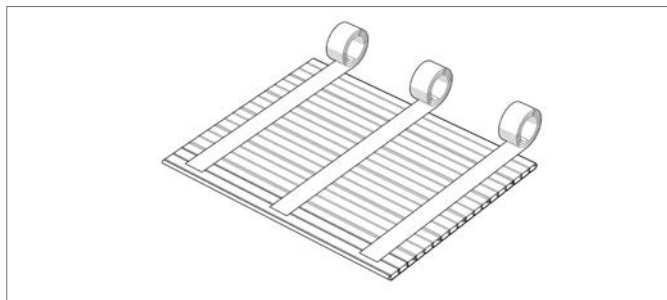


Fig. 4-15 Tambour door carpet of 8 mm tambour door profiles with adhesive tape on back



| Adhesive tape | |
|-----------------|-----------------|
| Material number | 1793039xxx |
| Material | Filament tape |
| Colour | clear / natural |
| Format | 50 m roll |

Procedure 2: Tambour door carpet can be permanently heat-staked on back

Benefits:

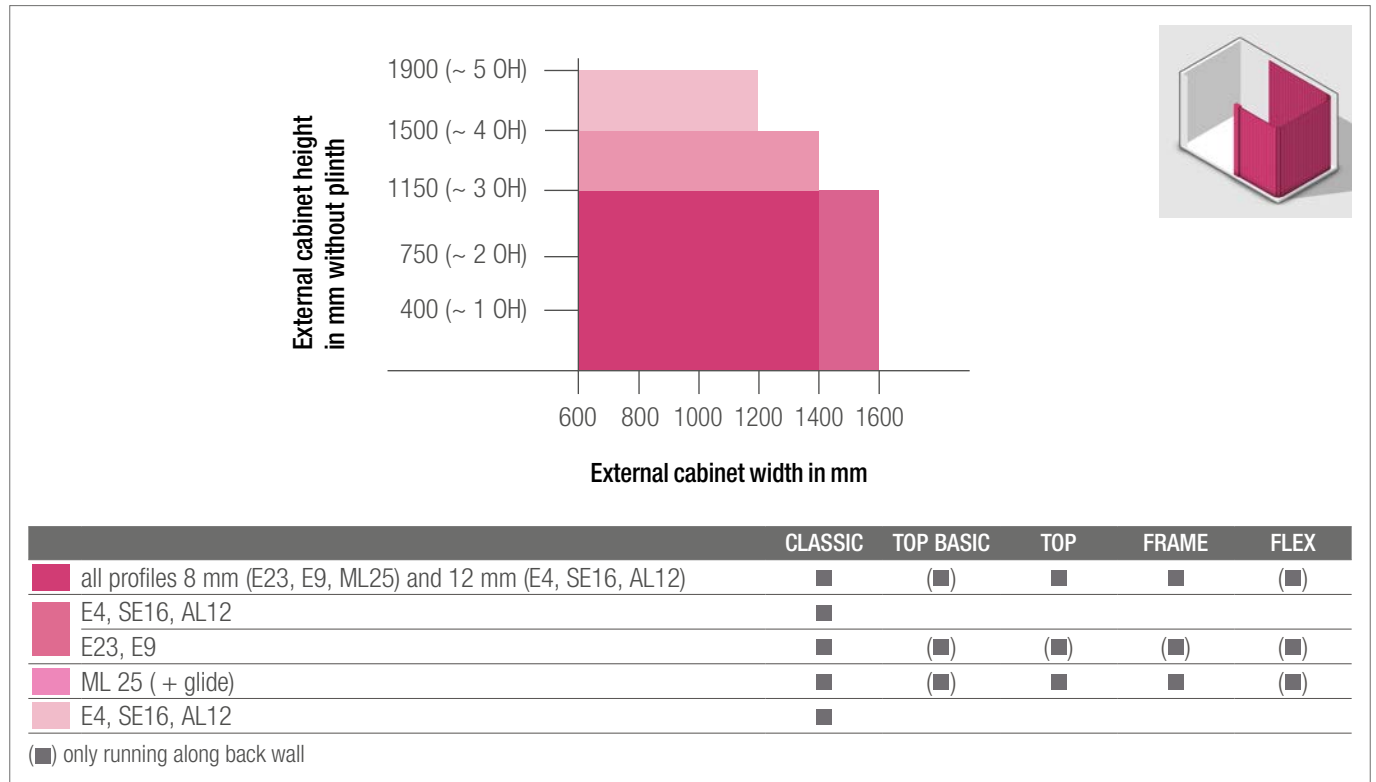
- Tambour door profiles are joined at back in scarcely visible manner.
- Tambour door profiles are permanently bonded.

Disadvantage:

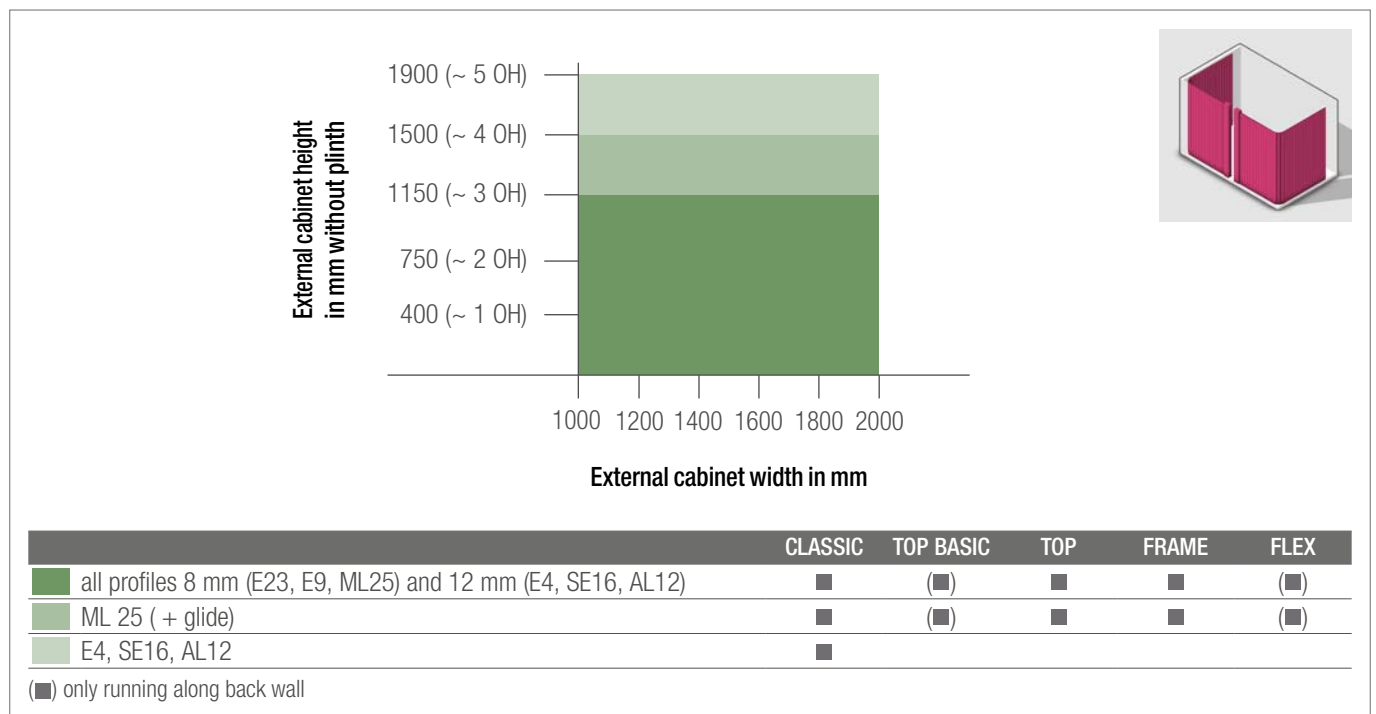
- Tambour door carpets can only be separated again with difficulty.

4.2.4.3 Applications for tambour door profiles in horizontal cabinet

Horizontal cabinet, one-door



Horizontal cabinet, two-door



4.2.5 Slam rails

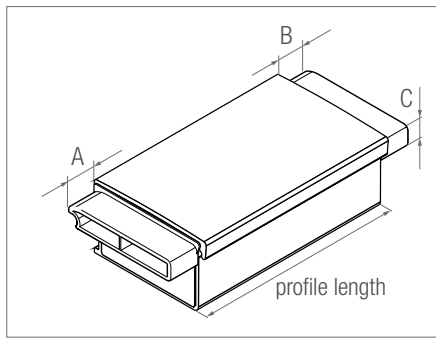


Fig. 4-16 Slam rail profile with slam rail glide

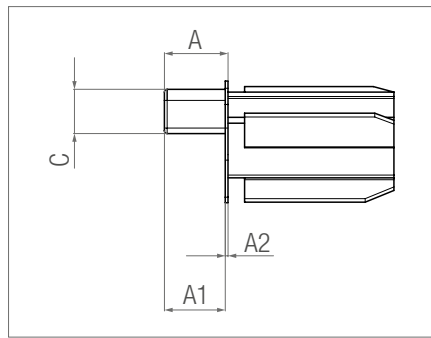


Fig. 4-17 Slam rail glide dimensioning
Head height $A = (A1 + A2)$

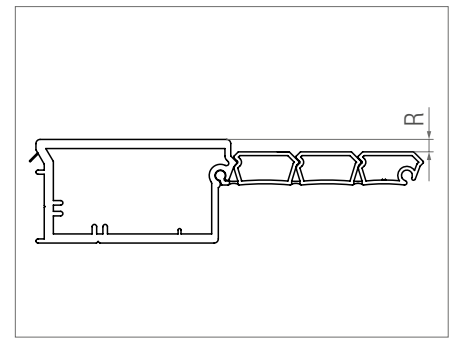


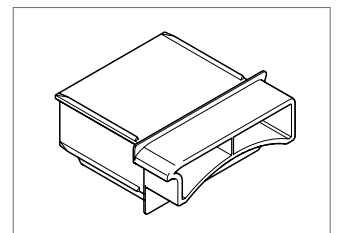
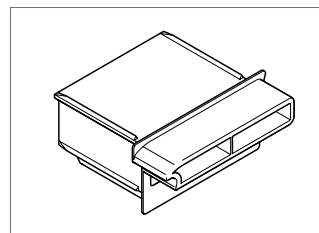
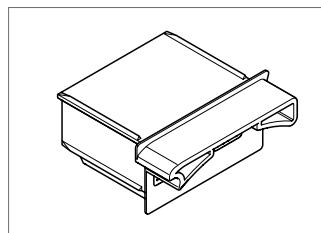
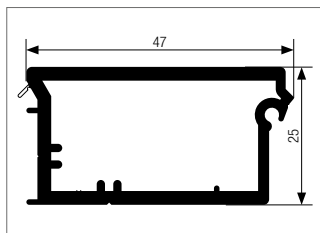
Fig. 4-18 Tambour door offset (O)

4.2.5.1 Slam rails with polymer base profile



Stability and longitudinal warpage in long profiles

Slam rails that are longer than is recommended are correspondingly less stable and have more longitudinal warpage. For double-door cabinets, and where furniture locks are used, it may not be possible to ensure sufficient stability, reliable locking and an even appearance. In such cases, use appropriate slam rail solutions made with aluminium base profiles and polymer cover profiles (see Page 26).



| Standard slam rail 47 mm | |
|----------------------------------|-----------------------------------|
| Mat. no. plain | 1770553xxx |
| Mat. no. plain + lacquer | 1770684xxx |
| Mat. no. decorative | 1770044xxx |
| Material | PP-TD / TPS-SEBS |
| Profile length | up to 1500 mm (40H) ¹⁾ |
| Offset tambour door (O) | 3 mm |
| Stop spacing for recessed handle | 2.5 mm |

| Slam rail glide 8 mm radius compatible | |
|--|--------------------|
| Mat. no. | 1241603xxx |
| Material | POM |
| Standard colour | Black |
| Head height A (A1 + A2) | 11.5 mm (11 + 0.5) |
| Head height B (B1 + B2) | 11.5 mm (11 + 0.5) |
| Sliding head width C | 8.0 ± 0.1 mm |

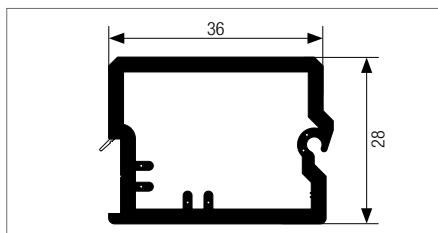
| Slam rail glide 8 mm | |
|-------------------------|--------------------|
| Mat. no. | 1236587xxx |
| Material | POM |
| Standard colour | Black |
| Head height A (A1 + A2) | 11.5 mm (11 + 0.5) |
| Head height B (B1 + B2) | 11.5 mm (11 + 0.5) |
| Sliding head width C | 8.0 ± 0.1 mm |

| Slam rail glide 12 mm radius compatible | |
|---|--------------------|
| Mat. no. | 1266358xxx |
| Material | POM |
| Standard colour | Black |
| Head height A (A1 + A2) | 11.5 mm (11 + 0.5) |
| Head height B (B1 + B2) | 11.5 mm (11 + 0.5) |
| Sliding head width C | 12.8 – 0.2 mm |

1) Note information on longitudinal warpage

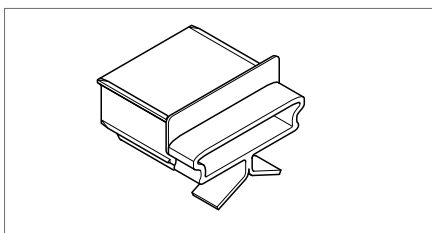
Compatible with:

- 8 mm tambour door profile: E23, E9, AL12-8mm
- 12 mm tambour door profile: E4, E8, SE16, SE26, AL12
- Furniture lock: Lehmann, type 416.222, 416.122
Häfele, type Symo 230.36.600
and similar locks with a backset of 22 mm

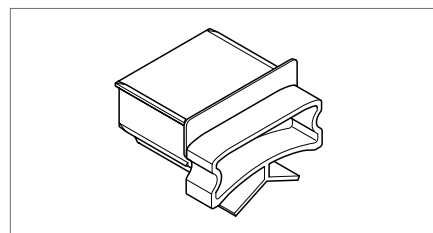


| Slam rail 36 mm | |
|----------------------------------|---------------------------------|
| Mat. no. plain | 1770849xxx |
| Mat. no. plain + lacquer | 1770839xxx |
| Mat. no. decorative | 1770829xxx |
| Material | PP-TD / TPS-SEBS |
| Profile length | to 1150 mm (3 OH) ¹⁾ |
| Offset tambour door (O) | 9 mm |
| Stop spacing for recessed handle | 2.5 mm |

1) Note information on longitudinal warpage



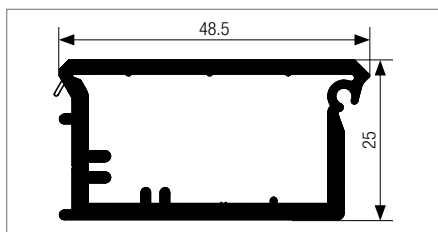
| Slam rail glide 8 mm radius compatible | |
|---|--------------------|
| Mat. no. | 1265855xxx |
| Material | POM |
| Standard colour | Black |
| Head height A (A1 + A2) | 8 mm (7.5 + 0.5) |
| Head height B (B1 + B2) | 10.5 mm (10 + 0.5) |
| Sliding head width C | 8.8 ± 0.1 mm |



| Slam rail glide 12 mm | |
|-------------------------|--------------------|
| Mat. no. | 1265166xxx |
| Material | POM |
| Standard colour | Black |
| Head height A (A1 + A2) | 10.5 mm (10 + 0.5) |
| Head height B (B1 + B2) | 13 mm (12.5 + 0.5) |
| Sliding head width C | 12.8 ± 0.1 mm |

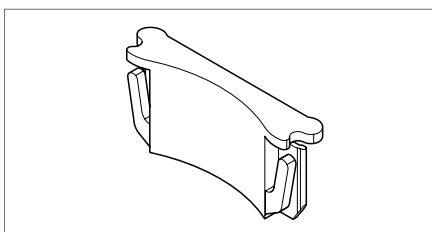
Compatible with:

- 8 mm tambour door profile: E23, E9, AL12-8mm
- 12 mm tambour door profile: E4, E8, SE16, SE26, AL12
- Furniture lock: Lehmann, type 416.215, 416.115 and similar locks with a backset of 15 mm

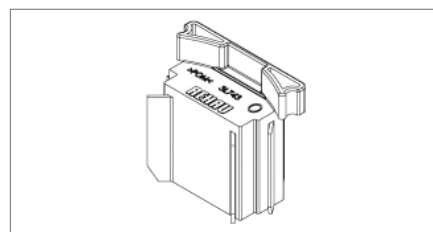


| Slam rail flush | |
|----------------------------------|------------------------------------|
| Mat. no. plain | 1770514xxx |
| Mat. no. plain + lacquer | 1770964xxx |
| Mat. no. decorative | 1770515xxx |
| Material | PP-TD / TPS-SEBS |
| Profile length | up to 1500 mm (4 OH) ¹⁾ |
| Offset tambour door (O) | 0 mm |
| Stop spacing for recessed handle | 2.5 mm |

1) Note information on longitudinal warpage



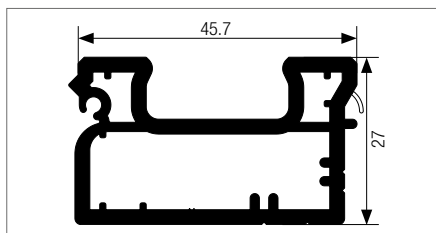
| Slam rail glide 8 mm Milling necessary on slam rail | |
|--|--------------|
| Mat. no. | 1243746xxx |
| Material | POM |
| Standard colour | Black |
| Head height A | 2 mm |
| Head height B | 2 mm |
| Sliding head width C | 9.1 ± 0.1 mm |



| Slam rail glide 12 mm | |
|-----------------------|--------------|
| Mat. no. | 1229280xxx |
| Material | POM |
| Standard colour | Black |
| Head height A | 8 mm |
| Head height B | 11 mm |
| Sliding head width C | 8.5 ± 0.1 mm |

Compatible with:

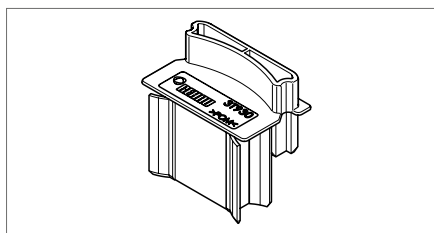
- 8 mm tambour door profile: E23, E9, AL12-8mm
- Furniture lock: Lehmann, type 416.222, 416.122 Häfele, type Symo 230.36.600 and similar locks with a backset of 22 mm



Standard slam rail with insert

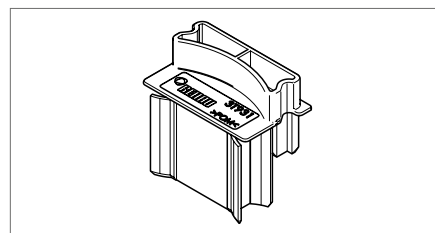
| | |
|--------------------------|---------------------------------|
| Mat. no. plain | 1770125xxx |
| Mat. no. plain + lacquer | 1770135xxx |
| Mat. no. decorative | 1770145xxx |
| Material | PP-TD / TPS-SEBS |
| Profile length | to 1500 mm (4 OH) ¹⁾ |
| Offset tambour door (O) | approx. 2 mm |

1) Note information on longitudinal warpage



Slam rail glide 8 mm radius compatible

| | |
|-------------------------|--------------------|
| Mat. no. | 1296868xxxx |
| Material | POM |
| Colour | as for slam rail |
| Head height A (A1 + A2) | 10.4 mm (9.4 + 1) |
| Head height B (B1 + B2) | 13.4 mm (12.4 + 1) |
| Sliding head width C | 8.5 mm |

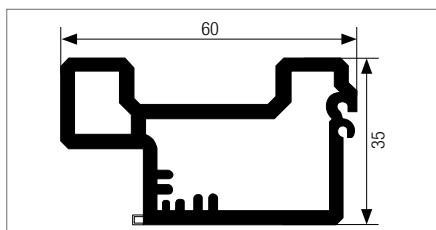


Slam rail glide 12 mm

| | |
|-------------------------|--------------------|
| Mat. no. | 1296869xxxx |
| Material | POM |
| Colour | as for slam rail |
| Head height A (A1 + A2) | 10.4 mm (9.4 + 1) |
| Head height B (B1 + B2) | 13.4 mm (12.4 + 1) |
| Sliding head width C | 12.8 mm |

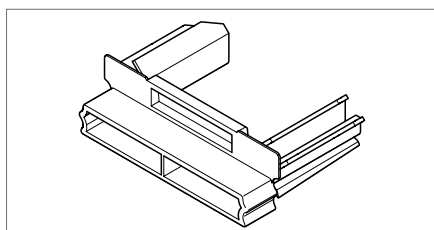
Compatible with:

- 8 mm tambour door profile: E23, E9, AL12-8mm
- 12 mm tambour door profile: E4, E8, SE16, SE26, AL12
- Furniture lock: Lehmann, type 416.222, 416.122
Hettich, type Symo 230.36.600
and similar locks with a backset of 22 mm



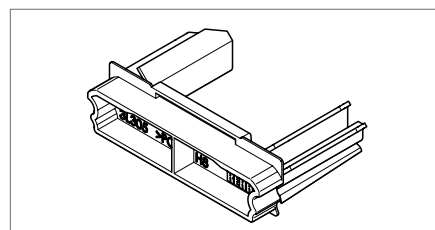
Slam rail with insert overlapping

| | |
|--------------------------|--|
| Mat. no. plain | 1770314xxx |
| Mat. no. plain + lacquer | 1770965xxx |
| Mat. no. decorative | 1770706xxx |
| Material | PP-TD / TPS-SEBS |
| Profile length | up to 1900 mm (5 OH) ¹⁾ |
| Offset tambour door (O) | 5 mm (with 12 mm glide) 10 mm (with 8 mm glide) |



Slam rail glide 8 mm

| | |
|-------------------------|--------------------|
| Mat. no. | 1241145xxxx |
| Material | POM |
| Colour | as for slam rail |
| Head height A (A1 + A2) | 10 mm (9.5 + 0.5) |
| Head height B (B1 + B2) | 11 mm (10.5 + 0.5) |
| Sliding head width C | 8.8 ± 0.1 mm |

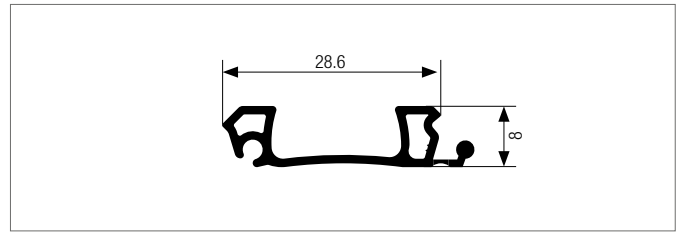
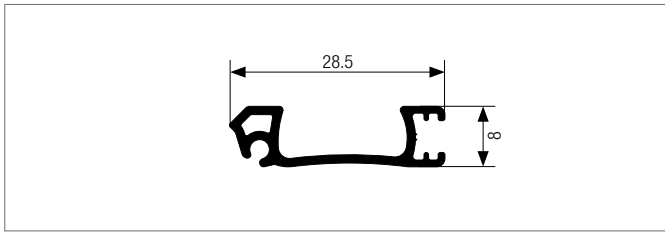


Slam rail glide 12 mm

| | |
|-------------------------|--------------------|
| Mat. no. | 1228330xxxx |
| Material | POM |
| Colour | as for slam rail |
| Head height A (A1 + A2) | 8 mm (7.5 + 0.5) |
| Head height B (B1 + B2) | 11 mm (10.5 + 0.5) |
| Sliding head width C | 12.5 ± 0.1 mm |

Compatible with:

- 8 mm tambour door profile: E23, E9, AL12-8mm
- Furniture lock: Lehmann, type 416.215, 416.115
and similar locks with a backset of 15 mm



| Slam rail Caravan | |
|--------------------------|-----------------------------------|
| Mat. no. plain | 1770676xxxx |
| Mat. no. plain + lacquer | 1770686xxxx |
| Mat. no. decorative | 1770696xxxx |
| Material | PP-TD |
| Profile length | up to 750 mm (2 OH) ¹⁾ |
| Tambour door offset (O) | 0 mm |

¹⁾ Note information on longitudinal warpage

| Mid-grip profile | |
|--------------------------|----------------------------------|
| Mat. no. plain | 1770516xxxx |
| Mat. no. plain + lacquer | 1770526xxxx |
| Mat. no. decorative | 1770536xxxx |
| Material | PP-TD / TPS-SEBS |
| Profile length | same as for tambour door profile |
| Tambour door offset (O) | 0 mm |

Compatible with:

- 8 mm tambour door profile: E23, E9, AL12-8mm

No retainer for furniture locks can be implemented.

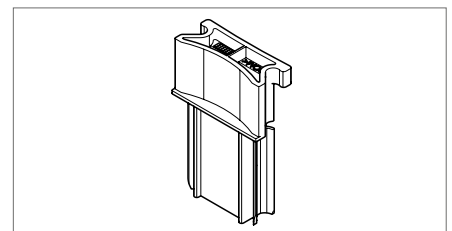
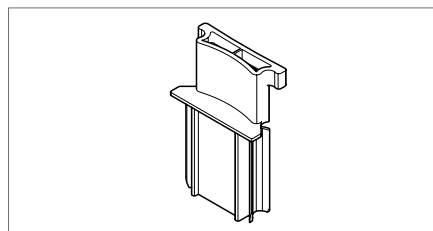
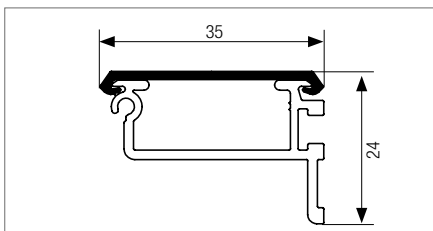
Compatible with:

- 8 mm tambour door profile: E23, AL12-8mm, (E9)

- 12 mm tambour door profile: (E4, E8, SE26, AL12)

No retainer for furniture locks can be implemented.

4.2.5.2 Slam rails with aluminium base profile



| slam rail 'Aluminium with 35 mm cover' | |
|--|-----------------------|
| Mat. no. base profile | 1772002xxxx |
| Mat. no. cover profile | |
| plain | 1750137xxxx |
| plain + lacquer | 1750147xxxx |
| decorative | 1750157xxxx |
| Base profile material | Aluminium mill-finish |
| Cover profile material | PP-TD |
| Profile length | to 1900 mm (5 OH) |
| Offset tambour door (O) | 0 mm |

| Slam rail glide 8 mm | |
|----------------------|------------------|
| Mat. no. | 1242912xxxx |
| Material | POM |
| Colour | as for slam rail |
| Head height A | 5 mm |
| Head height B | 5 mm |
| Sliding head width | 8.0 ± 0.2 mm |
| Offset ALU | 17 mm |

| Slam rail glide 12 mm | |
|-----------------------|------------------|
| Mat. no. | 1242902xxxx |
| Material | POM |
| Colour | as for slam rail |
| Head height A | 5 mm |
| Head height B | 5 mm |
| Sliding head width | 12.4 ± 0.2 mm |
| Offset ALU | 17 mm |

Compatible with:

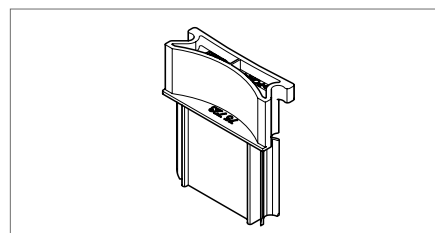
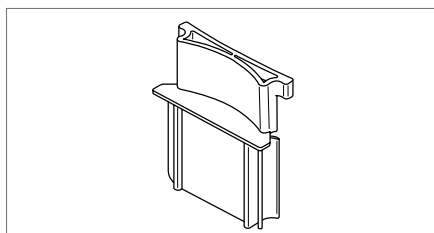
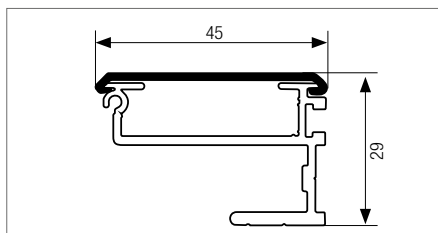
- 8 mm tambour door profile: E23, E9, AL12-8mm

- 12 mm tambour door profile: E4, E8, SE16, SE26, AL12

- Cam lock: Mat. no. 1220807 left-locking

Mat. no. 1220808 right-locking

- Centre stop: with cut-out mat. no. 1248866 and mat. no. 1246793



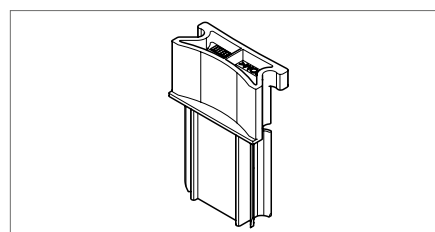
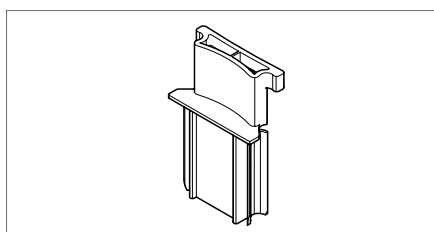
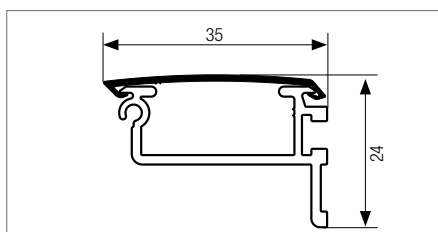
| slam rail 'Aluminium with 45 mm cover' | |
|--|-----------------------|
| Mat. no. base profile | 1783921xxxx |
| Mat. no. cover profile | |
| plain | 1770725xxx |
| plain + lacquer | 1770745xxxx |
| decorative | 1770735xxxx |
| Base profile material | Aluminium mill-finish |
| Cover profile material | PP-TD |
| Profile length | to 1900 mm (5 OH) |
| Offset | 0 mm |
| tambour door (O) | |

| Slam rail glide 8 mm | |
|----------------------|------------------|
| Mat. no. | 1244322xxxx |
| Material | POM |
| Colour | as for slam rail |
| Head height A | 5 mm |
| Head height B | 5 mm |
| Sliding head width | 8.6 ± 0.1 mm |
| Offset ALU | 17 mm |

| Slam rail glide 12 mm | |
|-----------------------|------------------|
| Mat. no. | 1244332xxxx |
| Material | POM |
| Colour | as for slam rail |
| Head height A | 5 mm |
| Head height B | 5 mm |
| Sliding head width | 12.4 ± 0.1 mm |
| Offset ALU | 17 mm |

Compatible with:

- 8 mm tambour door profile: E23, E9, AL12-8mm
- 12 mm tambour door profile: E4, E8, SE16, SE26, AL12
- Furniture mortise lock: mat. no. 17006951001
and mat. no. 17006941001



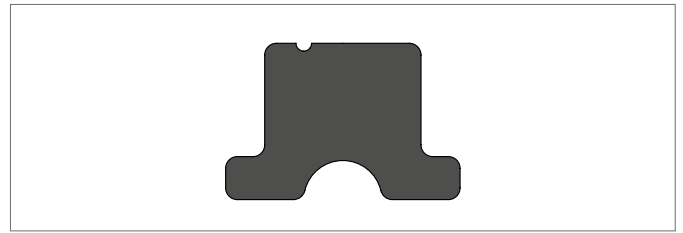
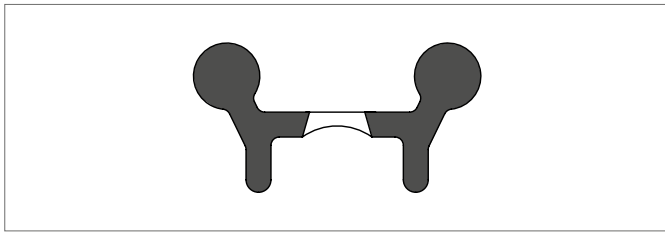
| Slam rail 'Aluminium with 35 mm cover, asymmetrical' | |
|--|-----------------------|
| Mat. no. base profile | 1772002xxxx |
| Mat. no. cover profile | |
| plain | 1770448xxx |
| plain + lacquer | 1770468xxxx |
| decorative | 1770458xxxx |
| Base profile material | Aluminium mill-finish |
| Cover profile material | PP-TD |
| Profile length | to 1900 mm (5 OH) |
| Offset | 0 mm |
| tambour door (O) | |

| Slam rail glide 8 mm | |
|----------------------|------------------|
| Mat. no. | 1242912xxxx |
| Material | POM |
| Colour | as for slam rail |
| Head height A | 5 mm |
| Head height B | 5 mm |
| Sliding head width | 8.0 ± 0.2 mm |
| Offset ALU | 17 mm |

| Slam rail glide 12 mm | |
|-----------------------|------------------|
| Mat. no. | 1242902xxxx |
| Material | POM |
| Colour | as for slam rail |
| Head height A | 5 mm |
| Head height B | 5 mm |
| Sliding head width | 12.4 ± 0.2 mm |
| Offset ALU | 17 mm |

Compatible with:

- 8 mm tambour door profile: E23, E9, AL12-8mm
- 12 mm tambour door profile: E4, E8, SE16, SE26, AL12
- Cam lock: Mat. no. 1220807 left-locking
Mat. no. 1220808 right-locking
- Centre stop: with cut-out mat. no. 1248866
and mat. no. 1246793



| Adapter for asymmetrical slam rail | |
|------------------------------------|------------------|
| Mat. no. | 1770296xxxx |
| Material | PP-TD / TPS-SEBS |

| Magnet profile | |
|----------------|-------------|
| Mat. no. | 1618974xxxx |
| Material | RAU-FER |

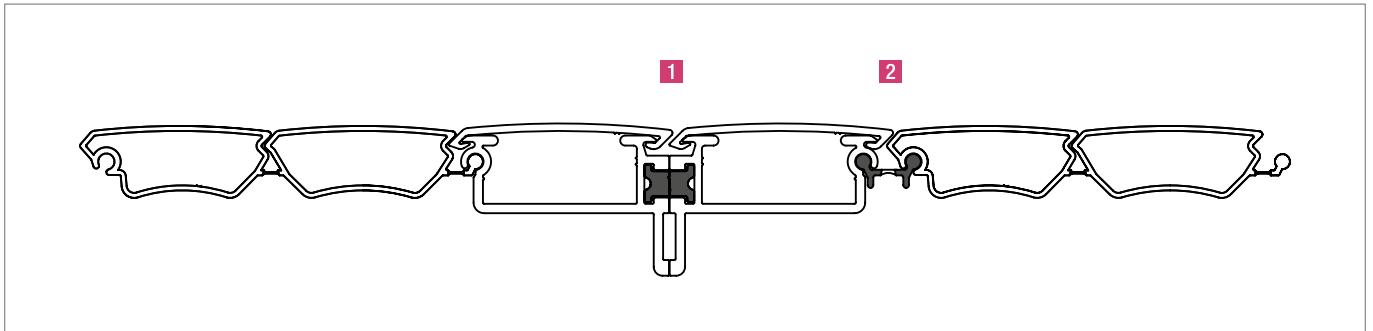


Fig. 4-19 Installation situation using adapter for asymmetrical slam rail and magnet profile

- 1 Magnet profile
- 2 Adapter for asymmetrical slam rail

4.2.5.3 Handles

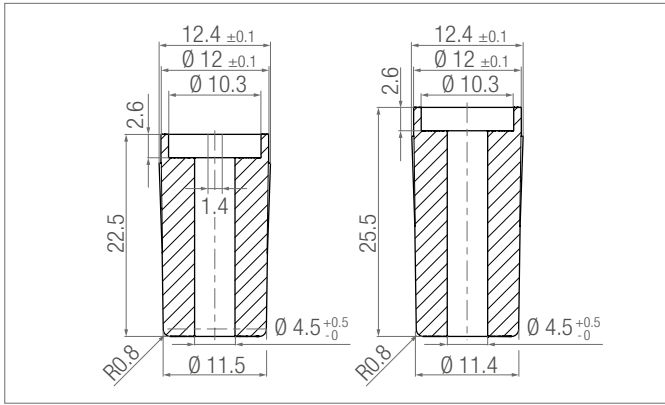


| Bow handle | |
|------------------------------|----------------------|
| Mat. no. bore spacing 128 mm | 1779800xxx |
| Mat. no. bore spacing 192 mm | 1779810xxxx |
| Material | Steel, chrome-plated |
| Colour | silver |
| Female thread | M4 x 6 mm |

We recommend using spacers when installing bow handles to help prevent visible surfaces from being crumpled if the bow handle is screwed too tightly. To do so, the spacers are pressed into handle bores drilled to the appropriate size in the back of the profile (here 12 and 8.4 mm) and then screwed firmly in place.



Fig. 4-20 Spacers 16.6 mm (left) and 22.5 mm or 25.5 mm (right)



Spacers 22.5 mm and 25.5 mm

| | |
|---|------------|
| Mat. no. Ø 12 mm x 22.5 mm for 25 mm deep slam rails | 1249821xxx |
| Mat. no. Ø 12 mm x 25.5 mm for 28 mm deep slam rails | 1241971xxx |
| Material | PA6 |
| Colour | Black |

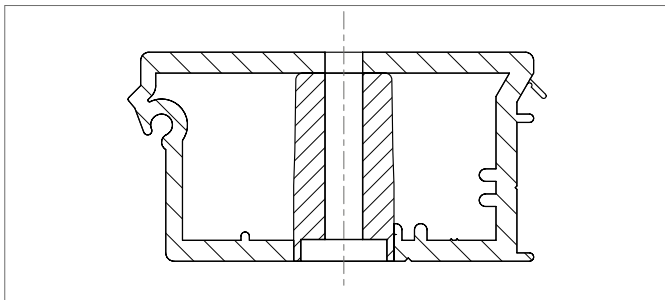
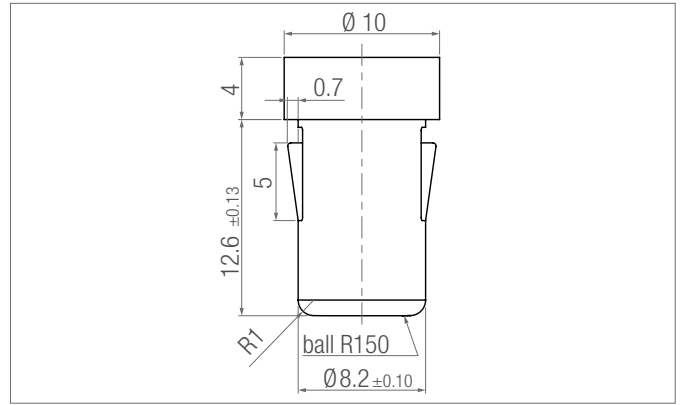


Fig. 4-21 Installation drawing



Spacers 16.6 mm for aluminium base profile

| | |
|--|------------|
| Mat. no. Ø 8.2 mm x 16.6 mm for aluminium slam rails with cover | 1247341xxx |
| Material | PA6 |
| Colour | Black |

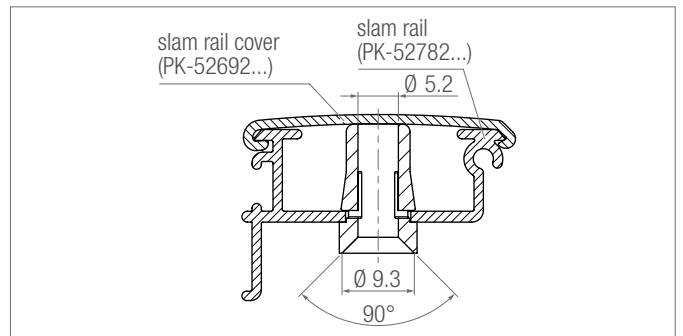


Fig. 4-22 Installation drawing



Recessed handle

| | |
|------------------------------|---------------------------|
| Mat. no. stop spacing 2.5 mm | 1226239xxx |
| Mat. no. stop spacing 1.5 mm | 1249791xxxx |
| Material | PA6 |
| Colour | various colours available |
| Dimensions (L x W x D) | 150 x 24 x 13.4 mm |

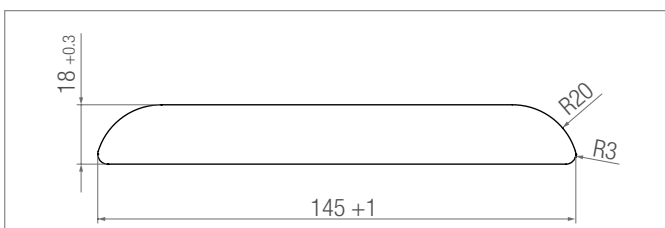


Fig. 4-23 Milling contour

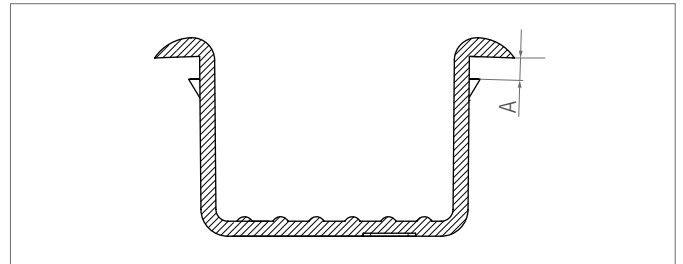


Fig. 4-24 Stop spacing A



Please note that the stop spacing for the recessed handle must be appropriate for the wall thickness of the slam rail.

Milling contour available as a DXF file on request.

4.2.5.4 Locks



| Cam lock | |
|------------------------|--|
| Mat. no. left-locking | 1220807xxxx |
| Mat. no. right-locking | 1220808xxxx |
| Mat. no. collar | 1224147xxxx |
| Material | Steel, nickel-plated |
| Colour | silver |
| Cam dimension (B) | 21 mm |
| Cam offset (A) | 1.6 mm |
| Cylinder diameter | 16.3 mm |
| Bore for collar | $\varnothing 17.1 \pm 0.1 \text{ mm}^1$ |
| Keys | 2 pc |
| Collar / Rosette | 1 pc $\varnothing 24 \text{ mm}$, nickel-plated, polished |
| Locking plate | – |
| Screws | – |

| Furniture mortise lock (left-locking) | |
|---------------------------------------|--|
| Mat. no. keyed alike | 1700695xxxx |
| Mat. no. individually keyed | 1700694xxxx |
| Material | Steel, nickel-plated |
| Colour | silver |
| Backset | 22 mm |
| Cylinder diameter | 18 mm |
| Bore for collar | $\varnothing 19 \pm 0.1 \text{ mm}^1$ |
| Keys | 2 pc |
| Collar | 1 pc $\varnothing 25 \text{ mm}$, nickel-plated, polished |
| Locking plate | 1 pc 76 x 13 x 2 mm |
| Screws | 4 pc 3.0 x 13 mm, galvanised |

1) Installation note: The collar sticks in the bore and not on the lock cylinder. If the collar still does not sit properly, it can be made to stick on the lock cylinder by gently pressing it out of shape.

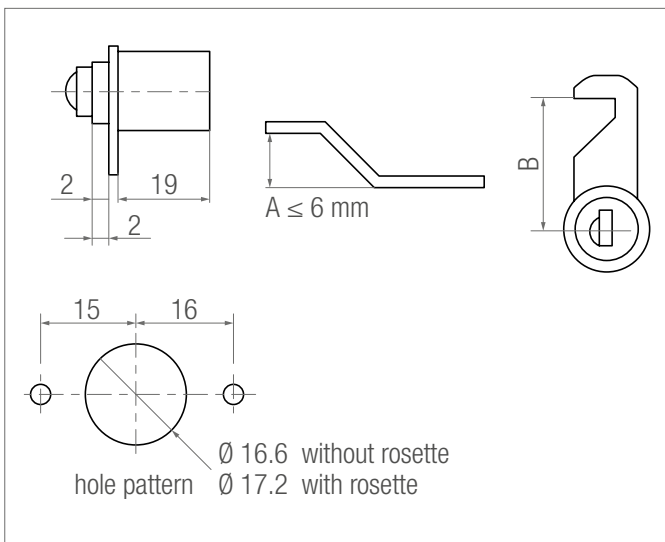


Fig. 4-25 Cam lock dimensions

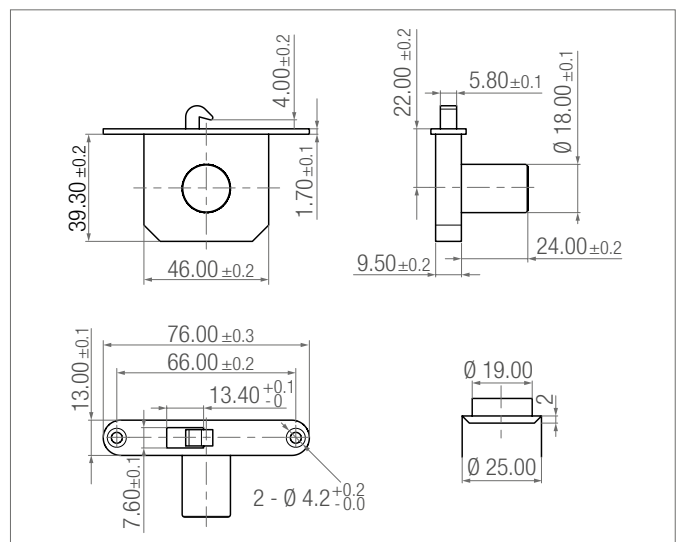


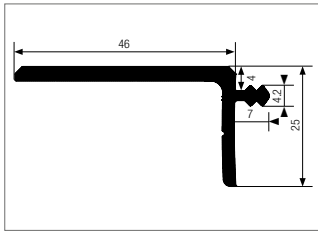
Fig. 4-26 Furniture mortise lock dimensions

The two furniture locks shown above are only two of the standard lock options in our product range.

Our slam rails are also compatible with other furniture locks (see Section 4.2.5.1 and 4.2.5.2). However, as there are a great many different furniture locks on the market, we cannot guarantee that every lock combination will work. Where necessary, check that any lock not recommended by us will function properly.

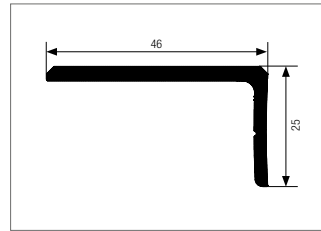
4.2.6 Vertical pelmets

4.2.6.1 Vertical pelmet profiles for flush cabinet style



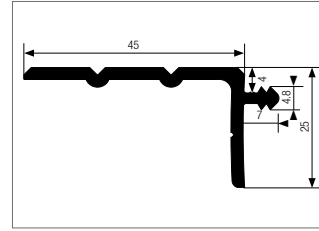
L-shaped vertical pelmet 46 mm with barb

| | |
|--------------------------|--------------|
| Mat. no. plain | 1770963xxxx |
| Mat. no. plain + lacquer | 1770694xxxx |
| Mat. no. decorative | 1770024xxxx |
| Material | PP-TD |
| Barb width | 4.2 – 0.2 mm |
| Barb length | 7 mm |



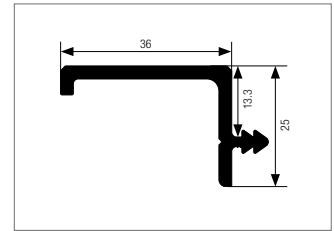
L-shaped vertical pelmet 46 mm without barb

| | |
|--------------------------|-------------|
| Mat. no. plain | 1770744xxxx |
| Mat. no. plain + lacquer | 1770847xxxx |
| Mat. no. decorative | 1770155xxxx |
| Material | PP-TD |



L-shaped vertical pelmet 45 mm with chamfered edge

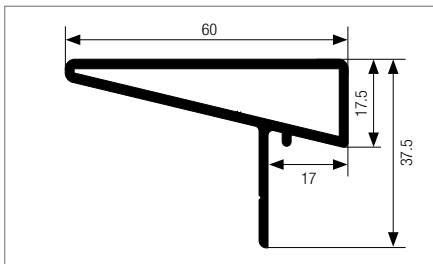
| | |
|--------------------------|--------------|
| Mat. no. plain | 1770534xxxx |
| Mat. no. plain + lacquer | 1770974xxxx |
| Mat. no. decorative | 1770704xxxx |
| Material | PP-TD |
| Barb width | 4.8 ± 0.1 mm |
| Barb length | 7 mm |



L-shaped vertical pelmet 36 mm with barb

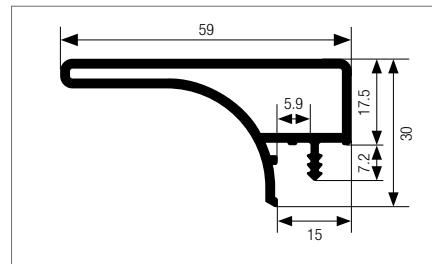
| | |
|--------------------------|--------------|
| Mat. no. plain | 1770879xxxx |
| Mat. no. plain + lacquer | 1770869xxxx |
| Mat. no. decorative | 1770859xxxx |
| Material | PP-TD |
| Barb width | 4.8 ± 0.1 mm |
| Barb length | 7.7 mm |

4.2.6.2 Vertical pelmet profiles for projecting cabinet style



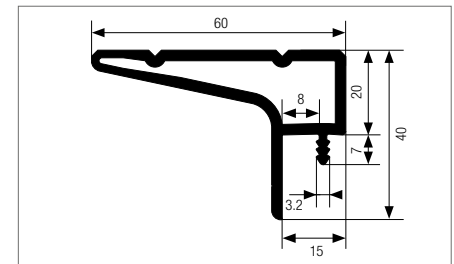
Vertical pelmet overlapping 60/17.5 mm

| | |
|--------------------------|-------------|
| Mat. no. plain | 1770767xxxx |
| Mat. no. plain + lacquer | 1770877xxxx |
| Mat. no. decorative | 1770777xxxx |
| Material | PP-TD |
| Overlap at side | 17 mm |
| Overlap at front | 17.5 mm |



Vertical pelmet overlapping 59/17.5 mm

| | |
|--------------------------|--------------|
| Mat. no. plain | 1750007xxxx |
| Mat. no. plain + lacquer | 1750017xxxx |
| Mat. no. decorative | 1750027xxxx |
| Material | PP-TD |
| Overlap at side | 15 mm |
| Overlap at front | 17.5 mm |
| Barb width | 3.2 + 0.2 mm |
| Barb length | 7.2 mm |



Vertical pelmet overlapping 60/20 mm with chamfered edge and with barb

| | |
|--------------------------|-------------------------|
| Mat. no. plain | 1770324xxxx |
| Mat. no. plain + lacquer | 1770975xxxx |
| Mat. no. decorative | 1770424xxxx |
| Material | PP-TD |
| Overlap at side | 15 mm |
| Overlap at front | 20 mm |
| Barb width | 3.2 + 0.1 mm / – 0.2 mm |
| Barb length | 7 mm |

4.3 Vertical use – vertical tambour door cabinet

4.3.1 Models for vertical cabinets

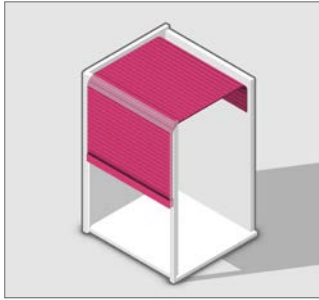


Fig. 4-27 Vertical cabinet closing downward

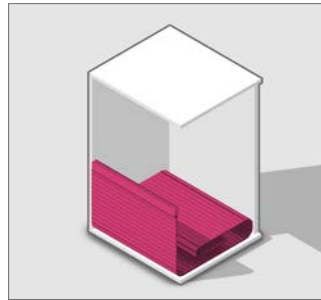


Fig. 4-28 Vertical cabinet closing upward

Applications and possible cabinet sizes are described in Section “4.3.4 Tambour door” on page 36.

4.3.2 Types of tracks

Cabinet tambour door carpets are usually run along U-rails that are recessed for wooden cabinets and top-mounted for metal cabinets (riveted, screw fixed or glued).

There are three basic types of tracks.

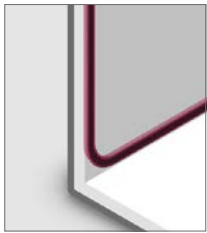


Fig. 4-29 recessed (milled)



Fig. 4-30 top mounted (screwed)



Fig. 4-31 front mounted (screwed)

| | groove mounted | top mounted | front mounted |
|---------------------|----------------------------|----------------------------------|--------------------------------------|
| Track system | CLASSIC FLEX | TOP TOP BASIC | FRAME |
| Balancing mechanism | C5 C6 C8 CB VB | C3 C5 C6 C8 CB VB | C3 C3 box C6 C8 CB VB |

A further difference is whether the tambour door carpet runs along the rear wall, in a spiral track or is rolled up.

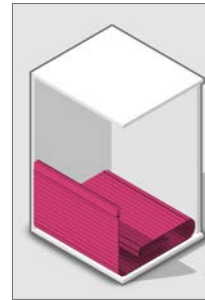


Fig. 4-32 Tambour door bottom running in spiral track

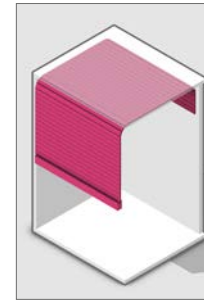


Fig. 4-33 Tambour door running behind the rear wall

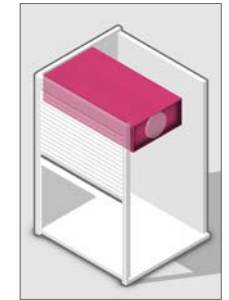
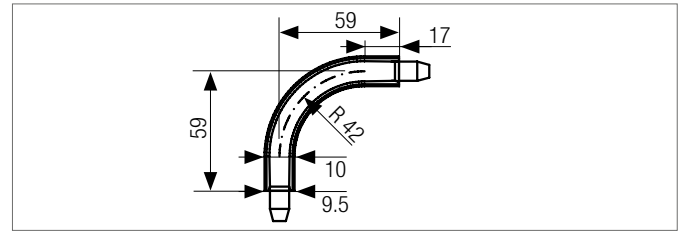
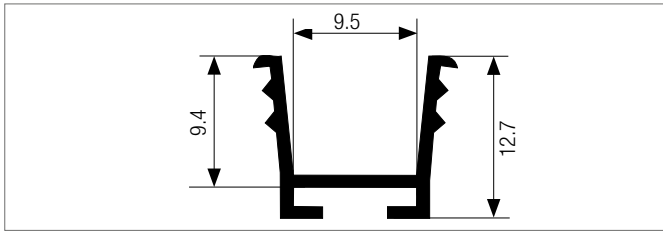


Fig. 4-34 Tambour door top rolled

| | bottom running in spiral track | running behind the rear wall | top rolled |
|---------------------|--------------------------------|------------------------------|--------------|
| Balancing mechanism | CB VB | C5 C6 C8 VB | C3 C3 box |

4.3.3 Track systems

4.3.3.1 Recessed running track (Classic track system)



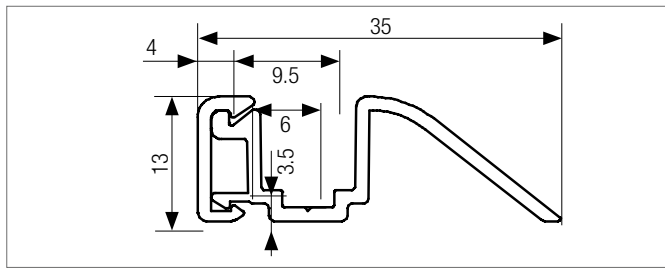
Running track 8 mm

| | |
|-----------------------------------|---|
| Material number without Lubricant | 1770693xxxx / 1770383xxxx / 1957811xxxx |
| Material number with Lubricant | 1703891xxxx / 1703887xxxx / 1953704xxxx |
| Material | PP / PVC / ABS |
| Standard colour | Black |
| Track width W | 9.5 mm |
| Track depth D | 8.6 mm |
| Groove width MW | 13.0 mm |
| Groove depth MD | 12.5 mm |
| Center groove radius Rm | 42 mm |

90° connector 8 mm

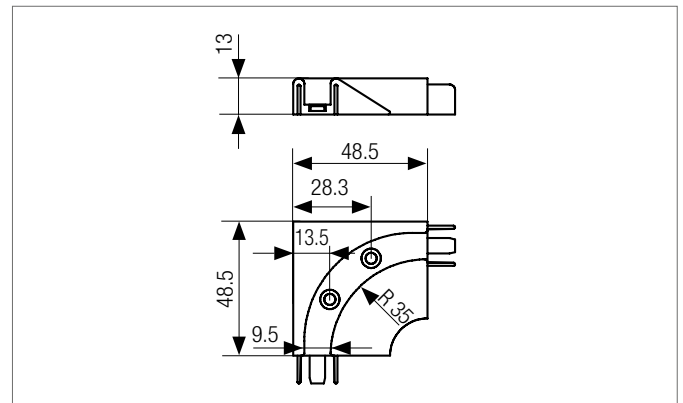
| | |
|-------------------------|-------------|
| Material number | 1266212xxxx |
| Material | PA6 |
| Standard colour | Black |
| Track width W | 9.5 – 10 mm |
| Track depth D | 8.6 mm |
| Groove width MW | 13.0 mm |
| Groove depth MD | 12.5 mm |
| Center groove radius Rm | 42 mm |

4.3.3.2 Top-mounted running track (TOP Basic and TOP track system)



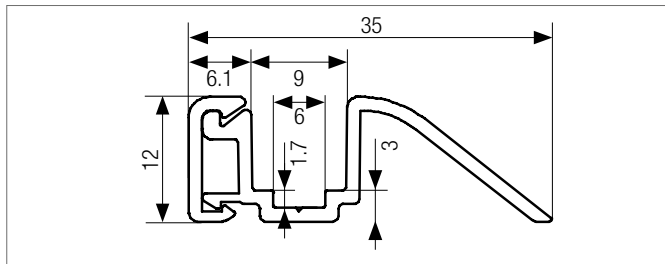
TOP Basic running track

| | |
|-----------------|--------------|
| Material number | 1702382xxxx |
| Material | PP |
| Standard colour | as specified |



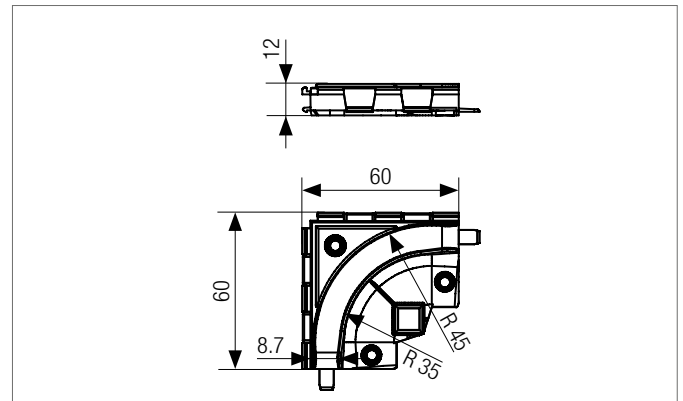
90° connector TOP Basic

| | |
|-----------------|------------------|
| Material number | 1248906xxxx |
| Material | PA6 |
| Standard colour | as running track |



TOP running track

| | |
|---------------------------------|--------------|
| Aluminium base | |
| Material number | 1224876xxxx |
| Material | Aluminium |
| Surface | anodised |
| Aluminium cover profile | |
| Material number | 1224877xxxx |
| Material | Aluminium |
| Surface | anodised |
| Plastic cover profile | |
| Material number plain | 1702156xxxx |
| Material number plain + lacquer | 1702157xxxx |
| Material number decorative | 1702158xxxx |
| Material | PP |
| Colour | as specified |



90° connector TOP / FRAME

| | |
|-----------------|-------------|
| Material number | 1226263xxxx |
| Material | PA6 |
| Standard colour | Black |

Running track installation situation

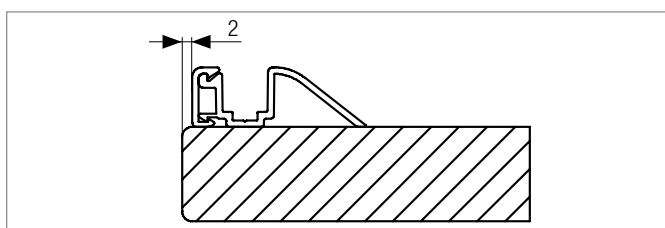
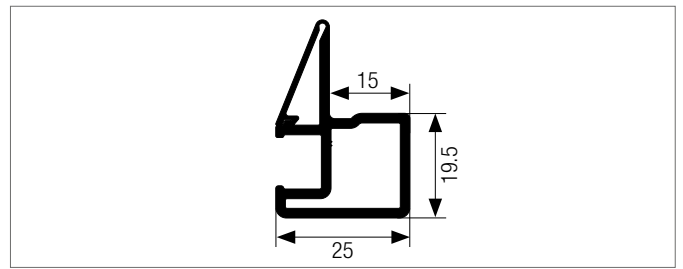
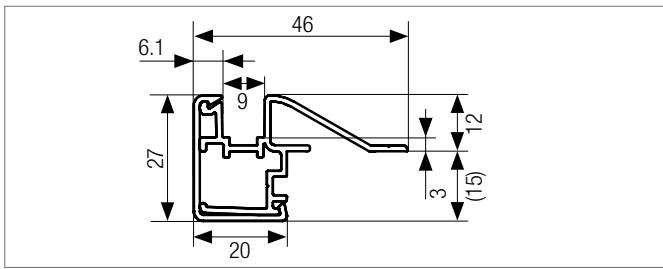


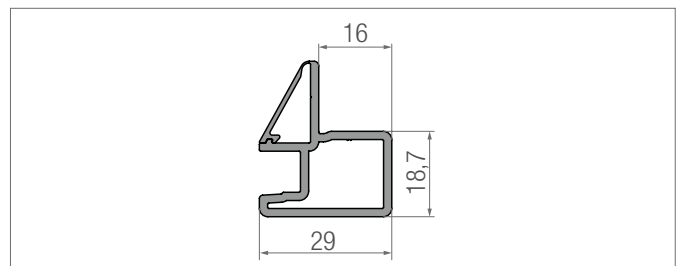
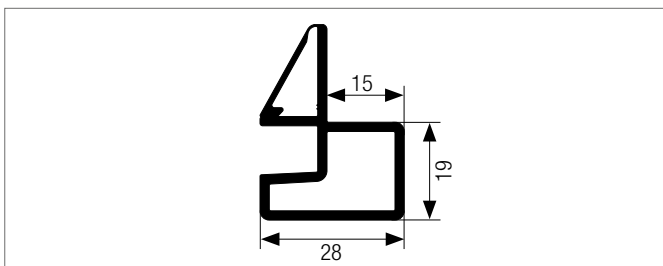
Fig. 4-35 Running track section on panel with recommended spacing

4.3.3.3 Front-mounted running track (FRAME and C3 running tracks)



| FRAME running track | |
|-------------------------------|--------------|
| Aluminium base | |
| Material number | 1779550xxxx |
| Material | Aluminium |
| Surface | anodised |
| Aluminium cover profile | |
| Material number | 1224879xxxx |
| Material | Aluminium |
| Surface | anodised |
| Plastic cover profile | |
| Material number plain | 1702153xxxx |
| Material number plain+lacquer | 1702154xxxx |
| Material number decorative | 1702155xxxx |
| Material | PP |
| Colour | as specified |

| C3 running track 25/19.5 mm | |
|--------------------------------|-------------|
| Material number plain | 1770046xxxx |
| Material number plain+lacquer | 1770056xxxx |
| Material number decorative | 1770066xxxx |
| Material | PP-TD |
| Overlap at side | 15 mm |
| Overlap at front | 19.5 mm |
| can be used with vertical lock | |

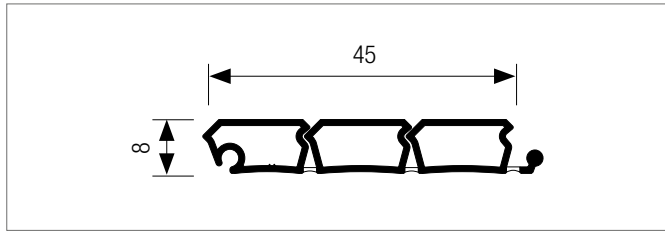


| C3 running track 28/19 mm | |
|--------------------------------|-------------|
| Material number plain | 1770264xxxx |
| Material | PP-TD |
| Overlap at side | 15 mm |
| Overlap at front | 19 mm |
| can be used with vertical lock | |

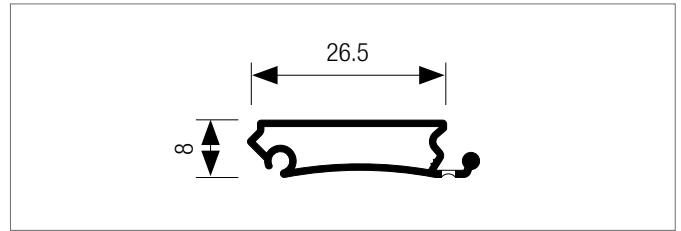
| C3 running track 29/18.7 | |
|-------------------------------|-------------|
| Material number plain | 1750088xxxx |
| Material number plain+lacquer | 1750107xxxx |
| Material | PP-TD |
| Overlap at side | 16 mm |
| Overlap at front | 18.7 mm |

4.3.4 Tambour door

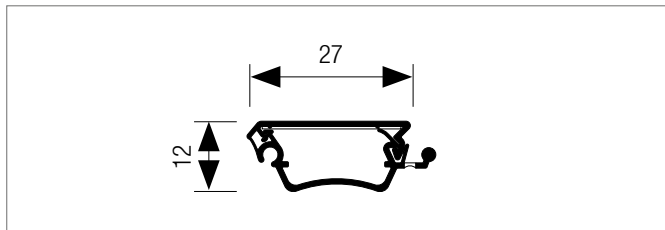
4.3.4.1 Tambour door profiles



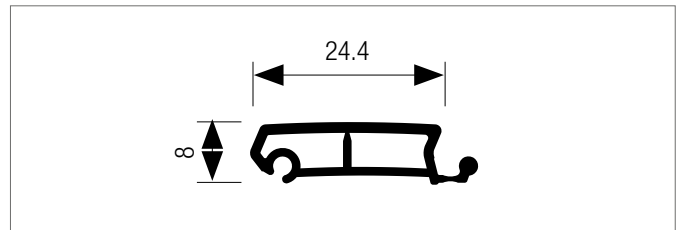
| Profile E23 | |
|--------------------------------|------------------|
| Mat. no. plain | 1770655xxxx |
| Material number plain+ lacquer | 1770875xxxx |
| Mat. no. decorative | 1770885xxxx |
| Material | PP-TD / TPS-SEBS |
| nominal covering width | 45 mm |
| Profile height | 8 – 0.3 mm |



| Profile E9 | |
|--------------------------------|------------------|
| Mat. no. plain | 1750139xxxx |
| Material number plain+ lacquer | 1750149xxxx |
| Mat. no. decorative | 1750159xxxx |
| Material | PP-TD / TPS-SEBS |
| nominal covering width | 26.5 mm |
| Profile height | 8 – 0.3 mm |

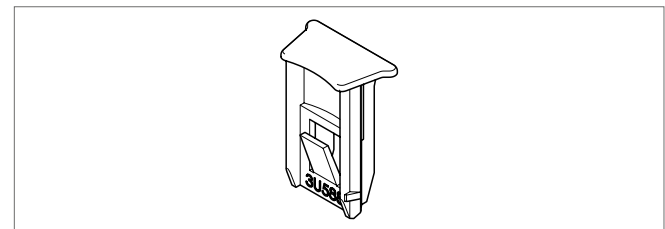


| Profile AL12-8mm | |
|--|---------------------------------------|
| Mat. no. plain | 1750574xxxx |
| Material number plain+ lacquer | 1750584xxxx |
| Mat. no. decorative | 1750594xxxx |
| Material | PP-TD / TPS-SEBS + non-woven material |
| Material colour | see separate Technical Information |
| nominal covering width | 27 mm |
| Profile height | 12 + 0.2 / –0.3 mm |
| Profile height notched at side (H x D) | 8 ± 0.3 x 12 mm |



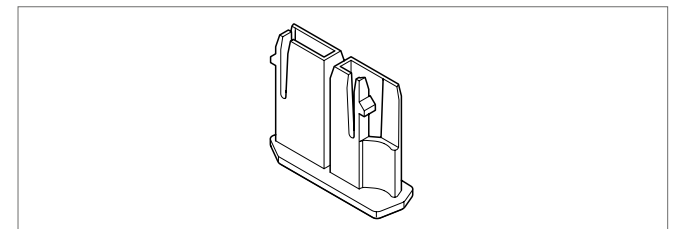
| Profile ML25 | |
|-------------------------|------------------------|
| Mat. no. real aluminium | 1770647xxxx |
| Material | Alu / PP-GF / TPS-SEBS |
| nominal covering width | 24.4 mm |
| Profile height | 8 mm |

Glide



| | |
|---------------------|--------------|
| Mat. no. | 1350177xxxx |
| Material | POM |
| Colour | natural |
| Sliding head height | 3 mm |
| Sliding head width | 8.5 – 0.2 mm |

Glide



| | |
|---------------------|--------------|
| Mat. no. left | 1354331xxxx |
| Mat. no. right | 1354332xxxx |
| Material | POM |
| Colour | Black |
| Sliding head height | 1.4 mm |
| Sliding head width | 8.2 ± 0.1 mm |



Glide

For vertical travel, it is not necessary to use glides, as the tambour door contact surfaces are subjected to hardly any stress. However we recommend using glides for the following tambour door profiles:

- For the ML25 profile, the glide is strongly recommended in conjunction with aluminium running tracks to avoid abrasion and loud running.
- For the AL12 profile, except when using the C3 system (this entails a risk that the glides will loosen over time), we recommend using glides as the notched tambour door area with an open rearside may catch on the transitions between running surfaces.



There is a special Technical Information for the acoustic line (print number B32600).

4.3.5 Slam rails

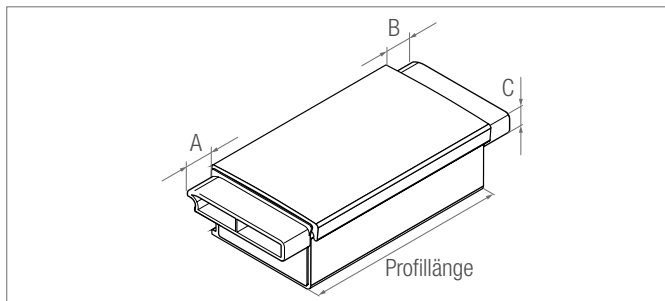


Fig. 4-36 Slam rail profile with slam rail glide

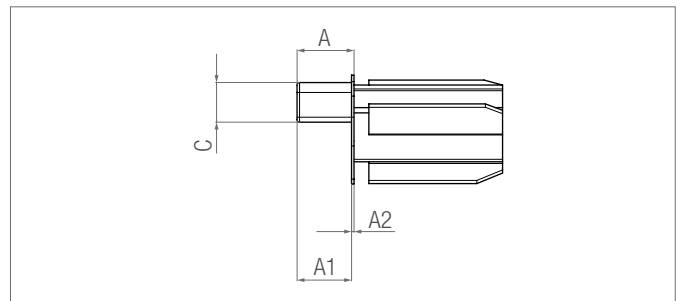
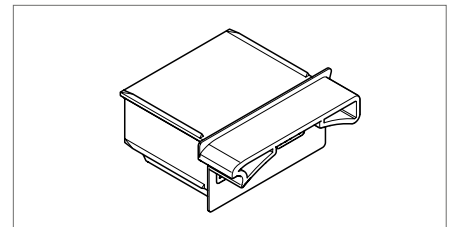
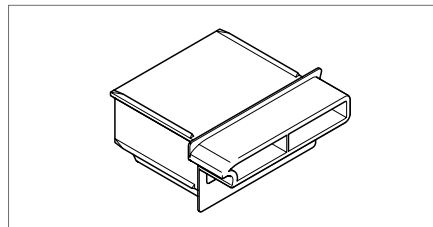
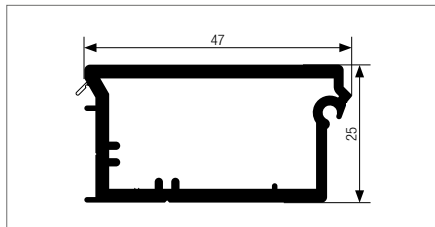


Fig. 4-37 Slam rail glide dimensioning
Head height A = (A1 + A2)

4.3.5.1 Slam rails with slam rail glides



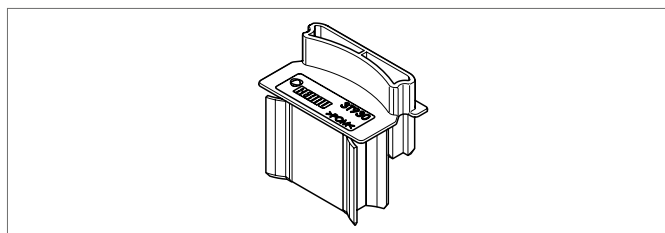
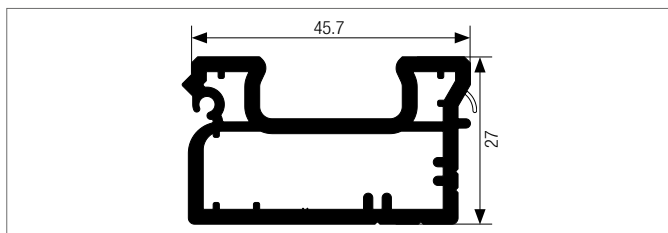
| Standard slam rail 47 mm | |
|--------------------------|------------------|
| Mat. no. plain | 1770553xxx |
| Mat. no. plain + lacquer | 1770684xxx |
| Mat. no. decorative | 1770044xxx |
| Material | PP-TD / TPS-SEBS |

| Slam rail glide 8 mm straight | |
|----------------------------------|----------------------|
| Mat. no. | 1243890xxx |
| Material | POM |
| Standard colour | Black |
| Head height A (A1 + A2) | 10 mm (9.5 + 0.5) |
| Head height B (B1 + B2) | 10 mm (9.5 + 0.5) |
| Sliding head width C | 8.0 mm |

| Slam rail glide 9 mm radius compatible | |
|---|----------------------|
| Mat. no. | 1227706xxx |
| Material | POM |
| Standard colour | Black |
| Head height A (A1 + A2) | 10 mm (9.5 + 0.5) |
| Head height B (B1 + B2) | 10 mm (9.5 + 0.5) |
| Sliding head width C | 9.3 ± 0.1 mm |

Compatible with:

- 8 mm tambour door profile: E23, E9, AL12-8mm
- Furniture lock:
 - Lehmann, type 416.222, 416.122
 - Häfele, type Symo 230.36.600
 - and similar locks with a backset of 22 mm

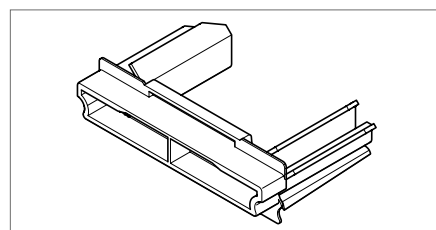
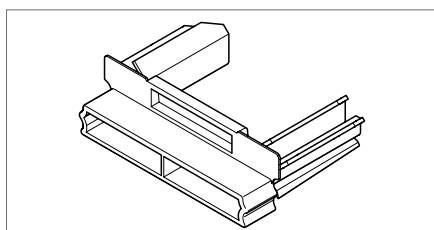
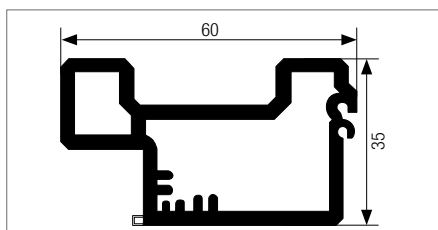


| Standard slam rail with insert | |
|--------------------------------|------------------|
| Mat. no. plain | 1750125xxx |
| Mat. no. plain + lacquer | 1750135xxx |
| Mat. no. decorative | 1750145xxx |
| Material | PP-TD / TPS-SEBS |
| Tambour door offset (O) | approx. 2 mm |

| Slam rail glide 8 mm for vertical use | |
|---------------------------------------|-------------------|
| Mat. no. | 1296868xxxx |
| Material | POM |
| Colour | as for slam rail |
| Head height A (A1 + A2) | 10.4 mm (9.4 + 1) |
| Head height B (B1 + B2) | 10.4 mm (9.4 + 1) |
| Sliding head width C | 8.5 mm |

Compatible with:

- 8 mm tambour door profile: E23, E9, AL12-8mm
- Furniture lock: Lehmann, type 416.222, 416.122
Häfele, type Sympo 230.36.600
and similar locks with a backset of 22 mm



| Slam rail with insert overlapping | |
|-----------------------------------|------------------|
| Mat. no. plain | 1770314xxx |
| Mat. no. plain + lacquer | 1770965xxx |
| Mat. no. decorative | 1770706xxx |
| Material | PP-TD / TPS-SEBS |
| Tambour door offset (O) | 10 (5) mm |

| Slam rail glide 8 mm Standard | |
|-------------------------------|------------------|
| Mat. no. | 1227747xxxx |
| Material | POM |
| Colour | as for slam rail |
| Head height A (A1 + A2) | 9 mm (8.5 + 0.5) |
| Head height B (B1 + B2) | 9 mm (8.5 + 0.5) |
| Sliding head width | 8.5 ± 0.1 mm |

| Slam rail glide 8 mm Special applications (offset level) | |
|--|------------------|
| Mat. no. | 1241155xxxx |
| Material | POM |
| Colour | as for slam rail |
| Head height A (A1 + A2) | 7.5 mm (7 + 0.5) |
| Head height B (B1 + B2) | 7.5 mm (7 + 0.5) |
| Sliding head width | 8.8 ± 0.1 mm |

Compatible with:

- 8 mm tambour door profile: E23, E9, AL12-8mm
- Furniture lock: Lehmann, type 416.215, 416.115
and similar locks with a backset of 15 mm

4.3.5.2 Handles

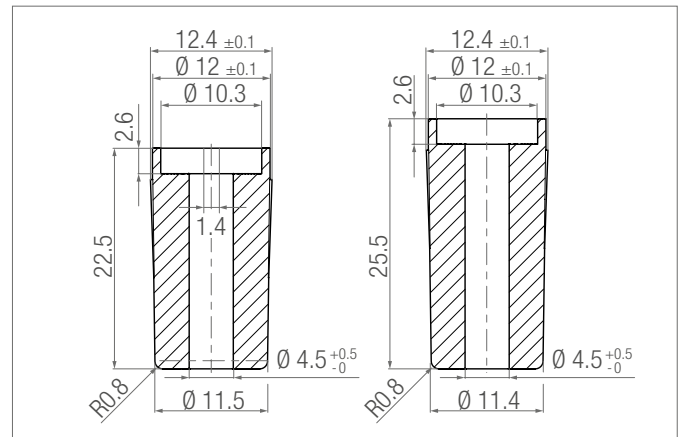


| Bow handle | |
|------------------------------|----------------------|
| Mat. no. bore spacing 128 mm | 1779800xxx |
| Mat. no. bore spacing 192 mm | 1779810xxx |
| Material | Steel, chrome-plated |
| Colour | silver |
| Female thread | M4 x 6 mm |

We recommend using spacers when installing bow handles to help prevent visible surfaces from being crumpled if the bow handle is screwed too tightly. To do so, the spacers are pressed into handle bores drilled to the appropriate size in the back of the profile (here 12 and 8.4 mm) and then screwed firmly in place.



Fig. 4-38 Spacers 22.5 mm and 25.5 mm



| Spacers 22.5 mm and 25.5 mm | |
|---|------------|
| Mat. no. Ø 12 mm x 22.5 mm for 25 mm deep slam rails | 1249821xxx |
| Mat. no. Ø 12 mm x 25.5 mm for 28 mm deep slam rails | 1241971xxx |
| Material | PA6 |
| Colour | Black |

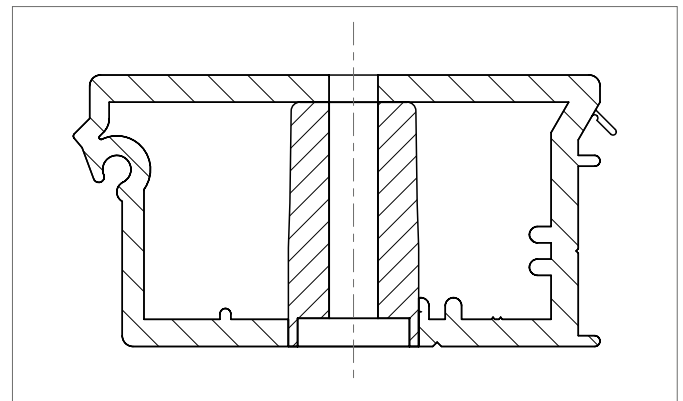


Fig. 4-39 Installation drawing

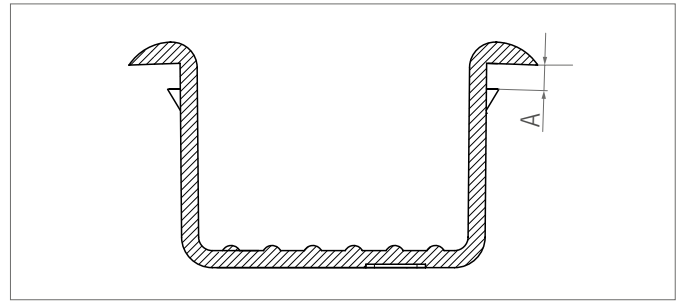


Fig. 4-41 Stop spacing A

Recessed handle

| | |
|------------------------------|---------------------------|
| Mat. no. stop spacing 2.5 mm | 1226239xxx |
| Mat. no. stop spacing 1.5 mm | 1249791xxx |
| Material | PA6 |
| Colour | various colours available |
| Dimensions (L x W x D) | 150 x 24 x 13.4 mm |



Please note that the stop spacing for the recessed handle must be appropriate for the wall thickness of the slam rail.

Milling contour for recessed handle

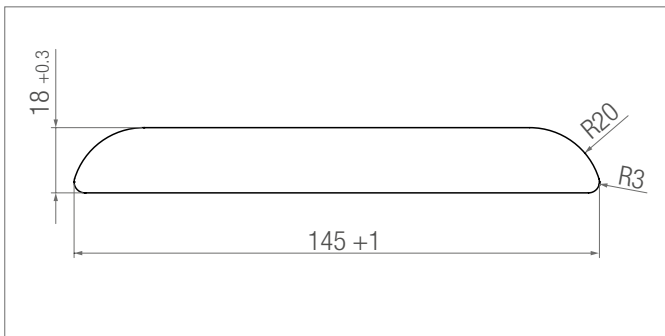


Fig. 4-40 Milling contour

Milling contour available as a DXF file on request.

4.3.5.3 Locks in slam rail



| Cam lock | |
|---------------------------|--|
| Mat. no. left-locking | 1220807xxx |
| Mat. no. right-locking | 1220808xxx |
| Mat. no. collar | 1224147xxx |
| Material | Steel, nickel-plated |
| Colour | silver |
| Cam dimension (B) | 21 mm |
| Cam offset (A) | 1.6 mm |
| Cylinder diameter | 16.3 mm |
| Bore for collar / rosette | $\varnothing 17.1 \pm 0.1 \text{ mm}^1$ |
| Keys | 2 pc |
| Collar | 1 pc $\varnothing 24 \text{ mm}$, nickel-plated, polished |
| Locking plate | – |
| Screws | – |

| Furniture mortise lock (left-locking) | |
|---------------------------------------|--|
| Mat. no. keyed alike | 1700695xxxx |
| Mat. no. individually keyed | 1700694xxxx |
| Material | Steel, nickel-plated |
| Colour | silver |
| Backset | 22 mm |
| Cylinder diameter | 18 mm |
| Bore for collar | $\varnothing 19 \pm 0.1 \text{ mm}^1$ |
| Keys | 2 pc |
| Collar | 1 pc $\varnothing 25 \text{ mm}$, nickel-plated, polished |
| Locking plate | 1 pc 76 x 13 x 2 mm |
| Screws | 4 pc 3.0 x 13 mm, galvanised |

1) Installation note: The collar sticks in the bore and not on the lock cylinder. If the collar still does not sit properly, it can be made to stick on the lock cylinder by gently pressing it out of shape.

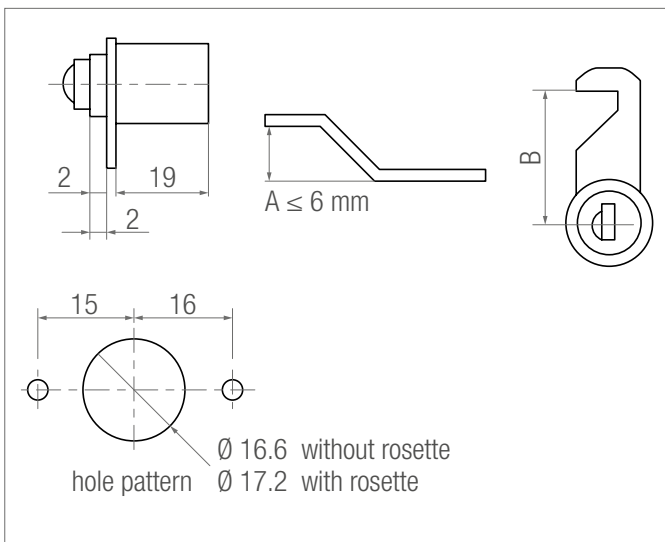


Fig. 4-42 Cam lock dimensions

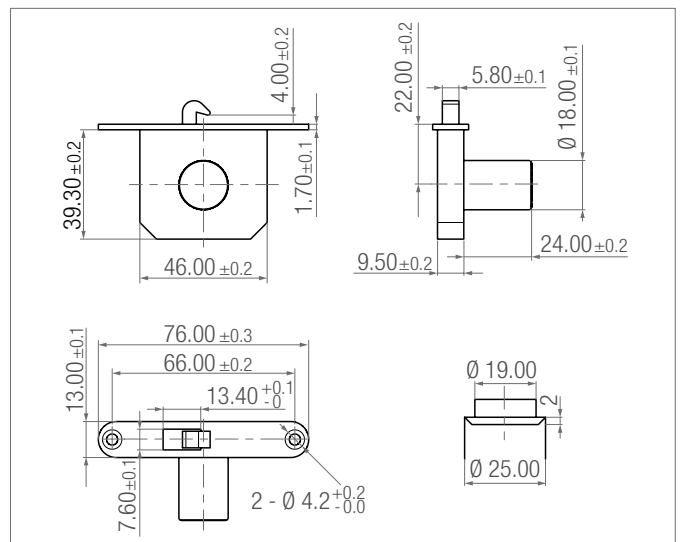


Fig. 4-43 Furniture mortise lock dimensions

The two furniture locks shown above are only two of the standard lock options in our product range.

Our slam rails are also compatible with other furniture locks (see Section 4.3.5). However, as there are a great many different furniture locks on the market, we cannot guarantee that every lock combination will work. Where necessary, check that any lock not recommended by us will function properly.

4.3.6 Vertical locks in running track

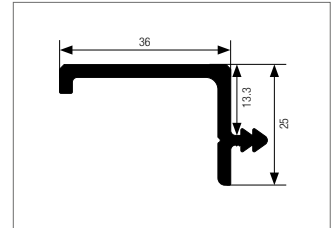
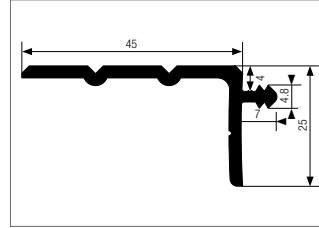
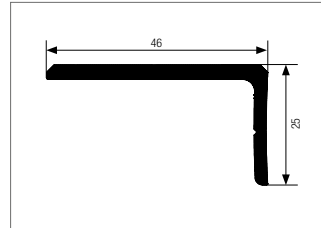
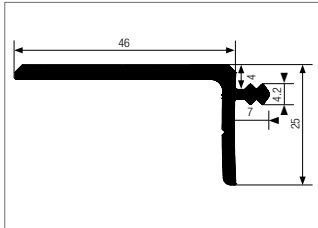
Locks for vertical cabinets with the C3 system can be attached to the running track at a height convenient to the user.

The following locks are suitable for this application:

- Lehmann System 590
- Lehmann System 177 (formerly Huwil)

4.3.7 Vertical pelmets

4.3.7.1 Vertical pelmet for flush cabinet style



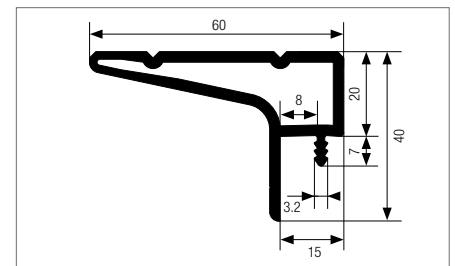
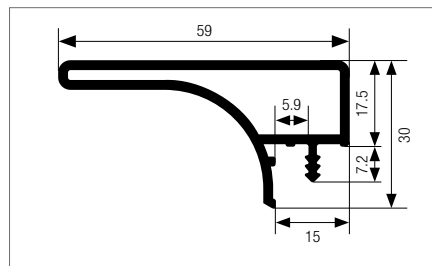
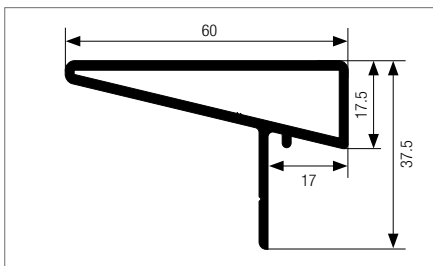
| L-shaped vertical pelmet 46 mm with barb | |
|--|--------------|
| Mat. no. plain | 1770963xxx |
| Mat. no. plain + lacquer | 1770694xxxx |
| Mat. no. decorative | 1770024xxxx |
| Material | PP-TD |
| Barb width | 4.2 – 0.2 mm |
| Barb length | 7 mm |

| L-shaped vertical pelmet 46 mm without barb | |
|---|-------------|
| Mat. no. plain | 1770744xxx |
| Mat. no. plain + lacquer | 1770847xxxx |
| Mat. no. decorative | 1770155xxxx |
| Material | PP-TD |

| L-shaped vertical pelmet 45 mm with chamfered edge | |
|--|--------------|
| Mat. no. plain | 1770534xxx |
| Mat. no. plain + lacquer | 1770974xxxx |
| Mat. no. decorative | 1770704xxxx |
| Material | PP-TD |
| Barb width | 4.8 ± 0.1 mm |
| Barb length | 7 mm |

| L-shaped vertical pelmet 36 mm with barb | |
|--|--------------|
| Mat. no. plain | 1770879xxx |
| Mat. no. plain + lacquer | 1770869xxxx |
| Mat. no. decorative | 1770859xxxx |
| Material | PP-TD |
| Barb width | 4.8 ± 0.1 mm |
| Barb length | 7.7 mm |

4.3.7.2 Vertical pelmet profiles for projecting cabinet style



| Vertical pelmet overlapping 60/17.5 mm | |
|--|-------------|
| Mat. no. plain | 1770767xxx |
| Mat. no. plain + lacquer | 1770877xxxx |
| Mat. no. decorative | 1770777xxxx |
| Material | PP-TD |
| Overlap at side | 17 mm |
| Overlap at front | 17.5 mm |

| Vertical pelmet overlapping 59/17.5 m | |
|---------------------------------------|--------------|
| Mat. no. plain | 1750007xxx |
| Mat. no. plain + lacquer | 1750017xxxx |
| Mat. no. decorative | 1750027xxxx |
| Material | PP-TD |
| Overlap at side | 15 mm |
| Overlap at front | 17.5 mm |
| Barb width | 3.2 + 0.2 mm |
| Barb length | 7.2 mm |

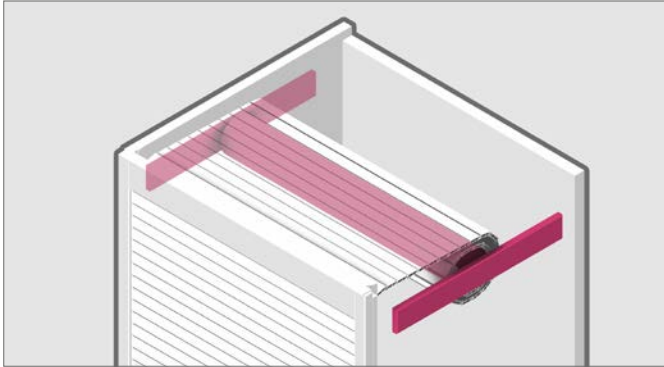
| Vertical pelmet overlapping 60/20 mm with chamfered edge and with barb | |
|--|-------------------------|
| Mat. no. plain | 1770324xxx |
| Mat. no. plain + lacquer | 1770975xxxx |
| Mat. no. decorative | 1770424xxxx |
| Material | PP-TD |
| Overlap at side | 15 mm |
| Overlap at front | 20 mm |
| Barb width | 3.2 + 0.1 mm / – 0.2 mm |
| Barb length | 7 mm |

4.3.8 Balancing mechanisms



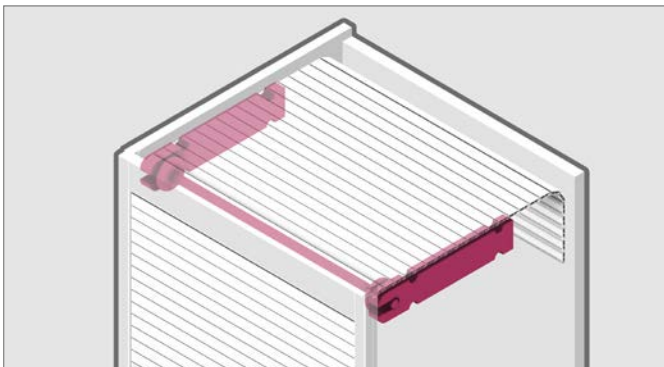
For details on assembly and installation please refer to our Technical Information and the assembly instructions in Section 4.4.

4.3.8.1 C3 mechanism (roller mechanism)



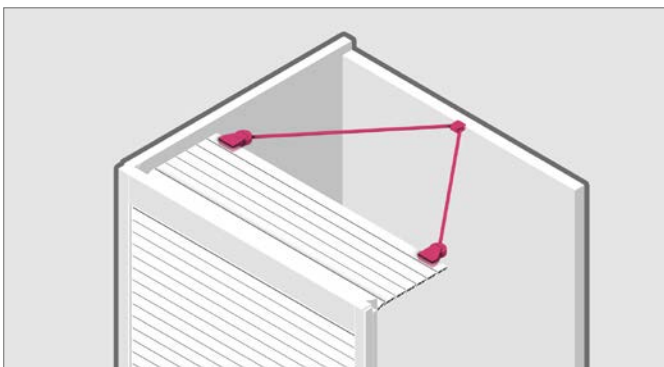
Compatible with tambour door profiles E23, E9, ML25 and AL12-8mm

4.3.8.2 C5 mechanism (cord mechanism)



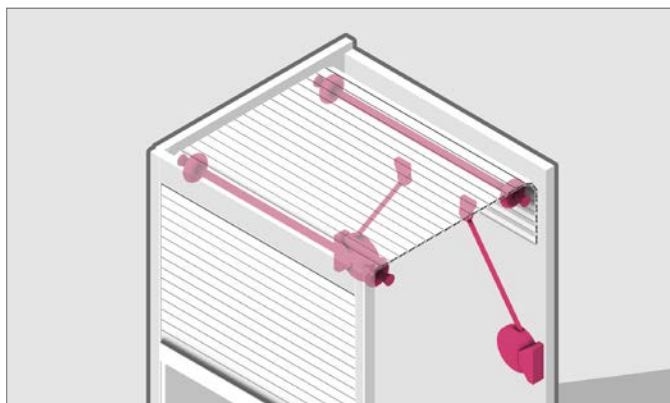
Compatible with tambour door profile E23

4.3.8.3 C6 vertical balancing (elastic band mechanism)



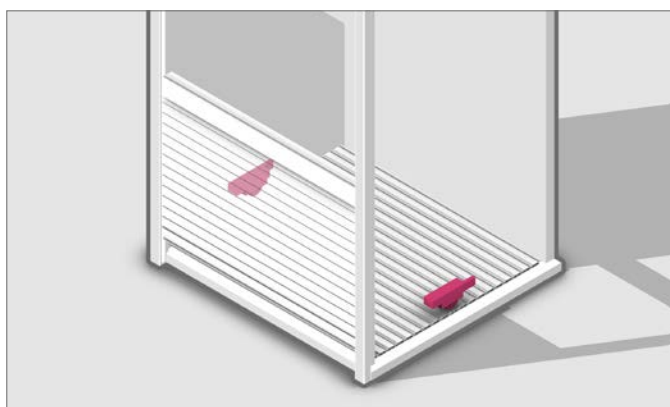
Compatible with tambour door profile E23

4.3.8.4 C8 balancing mechanism (coil mechanism)



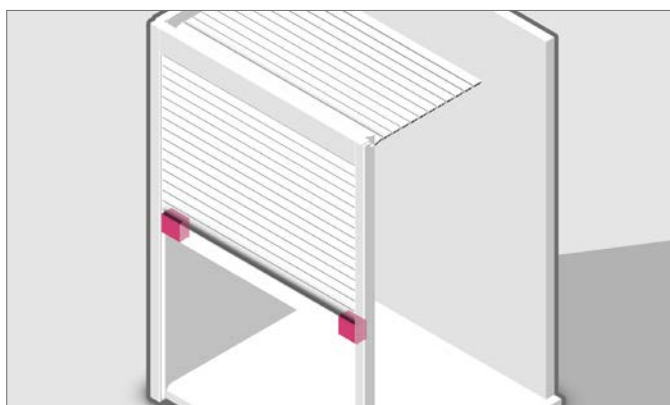
Compatible with tambour door profiles E23, E9, E4, E8, SE26, AL12

4.3.8.5 CB balance (caddy brake)



Compatible with all tambour door profiles with a smooth and closed rear side e.g. E23, E9, ML25

4.3.8.6 VB balance (vertical brake)



Compatible with tambour door profiles e.g. E23, E9, E4, E8, SE26, ML25, AL12

4.4 Assembly instructions/ installation instructions – document overview

| | Print number | Designation | see |
|--|--------------|---|------|
| C3 mechanism (roller mechanism) | | | |
| | B30601 | Technical Information - C3 systems | 5.1 |
| | 00F7243 | Assembly instructions – Express Collection – customised sets for C3 single cabinet | 5.2 |
| | 00E6835 | Assembly instructions – Express Collection – installation set for C3, C3 roller mechanism | 5.3 |
| | 00F8806 | Assembly instructions – Express Collection - cartridge system for C box, C3 wrapped | 5.4 |
| C5 mechanism (cord mechanism) | | | |
| | B30603 | Technical Information - C5 vertical tambour door systems | 5.5 |
| | no print no. | Assembly description - RAUVOLET C5 | 5.6 |
| C6 mechanism (elastic band mechanism) | | | |
| | 00E8279 | Assembly instructions - Express Collection C6 | 5.7 |
| C8 mechanism (coil mechanism) | | | |
| | 00F5913 | Assembly instructions - Express Collection C8-balancing mechanism with guide roller | 5.8 |
| CB balance (caddy brake) | | | |
| | no print no. | Technical Information - caddy brake | 5.9 |
| | 00F3109 | Assembly instructions - Express Collection - caddy brake | 5.10 |
| RAUVOLET acoustic line | | | |
| | B32600 | Technical Information – RAUVOLET acoustic line | 5.11 |
| Classic track system | | | |
| | 00F7437 | Assembly instructions - Express Collection - Classic track system | 5.14 |
| Frame track system | | | |
| | 00F3108 | Assembly instructions - Express Collection - Frame track system | 5.15 |
| Top track system | | | |
| | 00F3090 | Assembly instructions - Express Collection - Top track system | 5.16 |

The documents listed above can be obtained on request from your REHAU Sales Office.

NOTES

NOTES

This document is protected by copyright. All rights based on this are reserved. No part of this publication may be translated, reproduced or transmitted in any form or by any similar means, electronic or mechanical, photocopying, recording or otherwise, or stored in a data retrieval system.

Our verbal and written advice with regard to usage is based on years of experience and standardised assumptions and is provided to the best of our knowledge. The intended use of REHAU products is described comprehensively in the technical product information. The latest version can be viewed at www.rehau.com/TI. We have no control over the application, use or processing of the products. Responsibility for these activities therefore remains entirely with the respective user/processor. Where claims for liability nonetheless arise, they shall be governed exclusively according to our terms and conditions, available at www.rehau.com/conditions, insofar as nothing else has been agreed upon with REHAU in writing. This shall also apply for all warranty claims, with the warranty applying to the consistent quality of our products in accordance with our specifications. Subject to technical changes.

We're never far away.
For locations, visit
www.rehau.com/locations

© REHAU AG + Co
Rheniumhaus
95111 Rehau

Subject to technical changes
B30600 EN 08.2017