



REHAU JOINTING PROFILE

SEALING, CONNECTING, CREATING HIGHLIGHTS

“DESIGN FOR FURNITURE” FROM REHAU: INNOVATIVE SYSTEM SOLUTIONS FROM ONE SOURCE

REHAU has established itself as a leading manufacturer and supplier of polymer-based solutions for the widest variety of application areas within the furniture industry.

Functional and sophisticated surfaces, as well as customised systems for all living and office environments are developed, produced and marketed using the motto “Design for Furniture”.



As an innovator and a market leader in the overall edgeband production process, REHAU permanently pushes forward product, design and process developments. For example, REHAU offers a wide range of decorative designs and solid colours which are matched to the collections of international board manufacturers. The RAUKANTEX edgeband collection also includes numerous creations by REHAU, which are used in contrast to the worktop or framework of units.

In addition, REHAU underlines its high level of design expertise with matching designs across all products in the case of edgebands, tambour doors and wall seal profiles. In this way, a coordinated selection of materials for all components guarantees a completely identical surface appearance and therefore visually perfect integration.

This ability to meet the most stringent design and quality requirements is due to REHAU's extensive material, process and surface expertise – in accordance with the motto "Design for Furniture".



With the product line RAUVOLET, REHAU develops and produces systems for tambour doors. Whether steel or wooden cabinets, whether transparent or solid-coloured design – the focus is always on the customers' wishes and requirements. The development of the sound absorbing tambour door RAUVOLET acoustic-line supports REHAU's claim of continuously driving innovation in the furniture sector and creating products with added value.

The patented and multi-award winning system contributes considerably to the improvement of room acoustics in open plan offices.

Let yourself be inspired!



TABLE OF CONTENTS



REHAU jointing profile	Sealing, Connecting, Creating Highlights	4
------------------------	--	---

Complete, harmonious appearance	RAUVOLET vetro-line and REHAU Jointing Profile	6
---------------------------------	--	---

Standard Collection	Product Range and Make-up	7
	Overview of Articles	8
	Application and Cutting Dimensions	10
	Installation and Maintenance	11

REHAU JOINTING PROFILE

SEALING, CONNECTING, CREATING HIGHLIGHTS

In addition to maximum functionality and ease of handling, state-of-the-art, superior design is at the forefront of the furniture and interior finishing business. Products and system solutions have to excel in terms of function as well as appearance – with the trends pointing to an ever-increasing focus on detail.



Sealing – Their optimal sealing properties make the REHAU jointing profile the superior alternative to silicone joints, not only when it comes to conventional use on worktops, but also for sanitary applications and sealing of acrylic and ceramic mouldings, for instance, in bathroom and kitchen sinks and bathtubs.

Connecting – The REHAU jointing profile is an all-round winner. With its symmetrical profile design

and newly developed connecting mouldings, the profile can also connect vertical surfaces, and can therefore also be used as ceiling or floor end in such diverse places as kitchens and RVs as well as in many do-it-yourself jobs.

Setting Accents – The REHAU jointing profile stands out with its top-grade design and sets a great variety of accents.



COMPLETE HARMONIOUS APPEARANCE

RAUVOLET VETRO-LINE AND REHAU JOINTING PROFILE

REHAU offers another advantage in terms of a high quality appearance with its perfectly matched system components – this plays a central role in kitchen design in particular.

The exclusive RAUVOLET vetro-line glass tambour door system and the versatile REHAU jointing profile fully complement each other.



PRODUCT RANGE AND MAKE-UP

STANDARD COLLECTION



Standard length (cut lengths)



"fold'n'roll" – thanks to its flexibility, it can also be supplied as a roll.

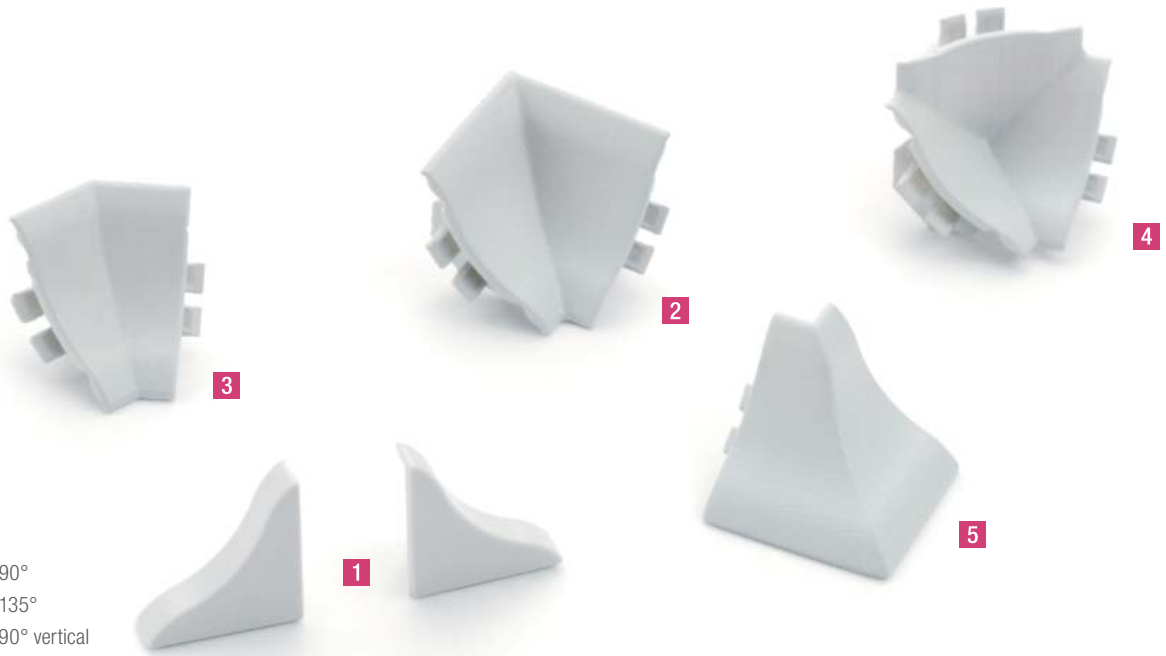
Size (mm)		Shape	Design	Material		Standard surface	Make-up			
Installed:	Visible Surface:			Profile:	Mouldings:		Profile		Moulding set	Individual mouldings
14 x 14 mm	20 mm (lip to lip)	Concave	1-part foldable, equipped with double-sided adhesive strips	PP/SRT	PS	Real aluminium in stainless-steel and aluminium finish, black and white	30 lengths of 3,000 mm in a tube and clip-form in a box	50 m coil rolled	15 bags in a box Content: 4 univ. end caps 2 internal corner pieces 90° 2 internal corner pieces 135° 2 external corner pieces 90° 2 internal corner pieces 90° vertical	100/02 in box

The REHAU jointing profile is a patented solution that offers significant advantages in handling due to compact dimensions (14 x 14 mm) and adhesive strips eliminating any need for screws. Any standard corner application is possible with its matching mouldings or alternatively by means of mitre cuts.

Its flexibility and smooth clip-in placement means that the REHAU jointing profile is not only available in standard cut lengths, but also in rolls. This makes it much easier to ship and transport, to install and to integrate into existing systems.

Please contact your local REHAU Sales Office for details.

OVERVIEW OF ARTICLES



- 1** End cap universal
- 2** Internal corner piece 90°
- 3** Internal corner piece 135°
- 4** Internal corner piece 90° vertical
- 5** External corner piece 90°

REHAU Jointing profile

Colour/Decorative finish	Decor designation	Decor number	
Cut lengths			
	magic aluminium	98102	635008-004
	magic stainless steel	98656	635008-003
	white	91624	635008-007
	black	98600	635008-008

Make-up **30 lengths of 3,000 mm in a tube and clip-form in a box**
15 bags in a box

Rolled

	magic aluminium	98102	638008-004
	magic stainless steel	98656	638008-003
	white	91624	638008-007
	black	98600	638008-008

Make-up **50 m coil rolled in a box**
15 bags in a box

Mouldings

End cap universal	Internal corner piece 90°	Internal corner piece 135°	Internal corner piece 90° vertical	External corner piece 90°	Moulding bag
100 pcs.					
351182-004	351116-004	351117-004	351121-004	351119-004	351049-004
351182-003	351116-003	351117-003	351121-003	351119-003	351049-003
351182-007	351116-007	351117-007	351121-007	351119-007	351049-007
351182-008	351116-008	351117-008	351121-008	351119-008	351049-008

100 pcs. **100 pcs.** **100 pcs.** **100 pcs.** **100 pcs.** **15 pcs.**
Contents of moulding bag: 4 end caps univ., 2 int. corners 90°, 2 int. corners 135°, 2 int. corners 90° vert., 2 ext. corners 90°

351182-004	351116-004	351117-004	351121-004	351119-004	351049-004
351182-003	351116-003	351117-003	351121-003	351119-003	351049-003
351182-007	351116-007	351117-007	351121-007	351119-007	351049-007
351182-008	351116-008	351117-008	351121-008	351119-008	351049-008

100 pcs. **100 pcs.** **100 pcs.** **100 pcs.** **100 pcs.** **15 pcs.**
Contents of moulding bag: 4 end caps univ., 2 int. corners 90°, 2 int. corners 135°, 2 int. corners 90° vert., 2 ext. corners 90°



APPLICATION AND CUTTING DIMENSIONS

Application Parameters

Application temperature	18 °C to 35 °C, product must be at this temperature for at least 3 hours before application to allow profiles to acclimatise
Temperature range for use	- 30 °C to + 70 °C
Preparation of areas to be joined	Surfaces to be joined must be dry and free of dust and grease. Loosely applied paint and porous surfaces must be removed or sealed. The best way to clean the areas to be joined is to use a clean cloth with a solvent like benzene, alcohol, ester or ketone.
Fitting process	The optimal application pressure is 10 to 15 N/cm ² . This is roughly equivalent to 1 to 1.5 kg in relationship to the surface of the human thumb. The profile must be pressed into place at each point to ensure full contact with the bonding surface.
Setting time	Profiles are fully sealed after about 24 hours.
Storage	Profiles must be applied no later than a year after purchase.

Product Characteristics and Range of Application

Product characteristics		Applicability on	
Initial bond	+++	Foam	---
Setting time	++-	Rubber	++-
Adhesion to smooth surfaces	+++	Fabrics (e.g., textile wallpapers)	+++
Adhesion to rough surfaces	++-	Glass/ceramics (e.g., tiles, mirrors)	+++
Ageing resistance	++-	Wood	+++
Weather resistance	++-	Plastics: PVC, PC, ABS, PE, PP	++-
Resistance to chemicals	++-	Metal (e.g., stainless-steel joints)	+++
		Paper/cardboard (wallpapers)	+++
		HPL/coated plywood	++-

Very suitable + + + , Suitable + + - , Unsuitable - - -

Given the vast array of possible applications offered by the REHAU jointing profile, it is recommended that end users perform tests and, where applicable, lab tests in line with the required specifications prior to applying the product.

On request, we will be glad to perform these tests for you in our accredited test laboratory.

Cutting Dimensions

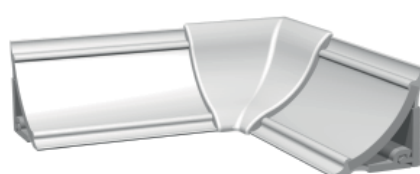
All dimensions are based on room corners; end caps are based on the desired system ends.

Cut fittings to size using a fine-tooth saw or metal saw.

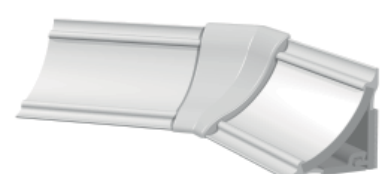
▶ | ◀ -1,5 to -2 mm



▶ | ◀ -15 to -16 mm

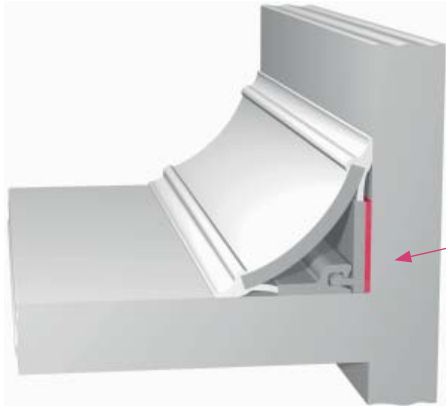


▶ | ◀ -7 to -8 mm



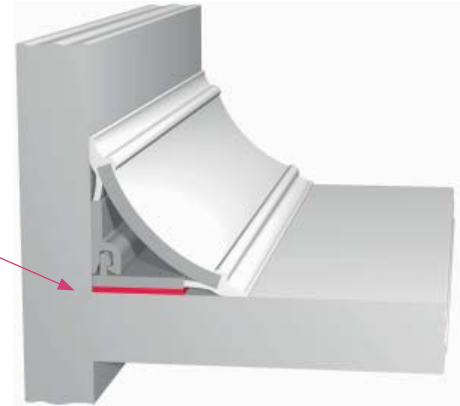
INSTALLATION AND MAINTENANCE

Attachment to Walls (Vertical)



Press profile into place using adhesive strip to connect to wall but not work surface.

Attachment to Work Area (Horizontal)



Press profile into place using adhesive strip to connect to work surface but not wall.

The symmetrical design allows the profile to be attached on either side.

Tips for Attaching the REHAU Jointing Profile

Prior to attaching the REHAU jointing profile, make sure the work areas are dry and free of dust and/or grease.

Be sure to position the product accurately before attaching. The adhesive strips bond instantly, and subsequent repositioning can damage the adhesive strip or the profile itself.

To avoid unwanted contact or particles on the bonding surfaces, it is recommended to remove only about 50 cm of the protective film before installation. The remaining film should then be removed step by step and the profile pressed on.

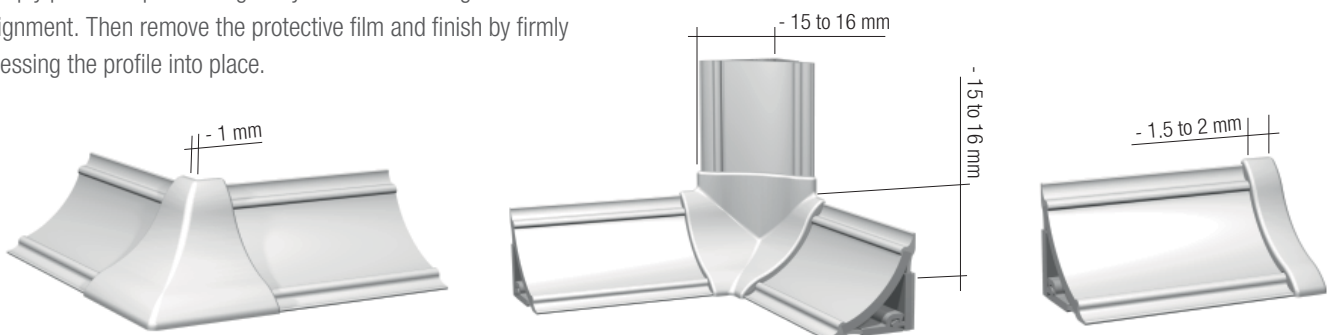
For example, when attaching a 90° corner, place the mouldings on the jointing profile before installation and then mount them in place together whenever possible. When attaching the second profile leg, do not remove the protective film from the adhesive strip immediately. Simply place the profile diagonally into the moulding and check its alignment. Then remove the protective film and finish by firmly pressing the profile into place.

Cleaning and Maintenance

The decor surfaces and sealing lips can be cleaned using standard cleaning solvents or mild cleaning solutions for plastic surfaces.

If the use of an undiluted cleaning agent is required, be sure to rinse well afterwards.

Heavily corrosive solvents, such as paint thinners, acetone, MCL or MEK are unsuitable for cleaning, as they damage the decor and materials.





Our verbal and written advice relating to technical applications is based on experience and is to the best of our knowledge correct but is given without obligation.
The use of REHAU products in conditions that are beyond our control or for applications other than those specified releases us from any obligation in regard to claims made in respect of the products.
We recommend that the suitability of any REHAU product for the intended application should be checked. Utilization and processing of our products are beyond our control and are therefore exclusively your responsibility. In the event that a liability is nevertheless considered, any compensation will be limited to the value of the goods supplied by us and used by you.
Our warranty assumes consistent quality of our products in accordance with our specification and in accordance with our general conditions of sale.

Distributor