



TAMBOUR DOOR SYSTEMS

C3 INSTALLATION INSTRUCTIONS

C3 Parts Overview

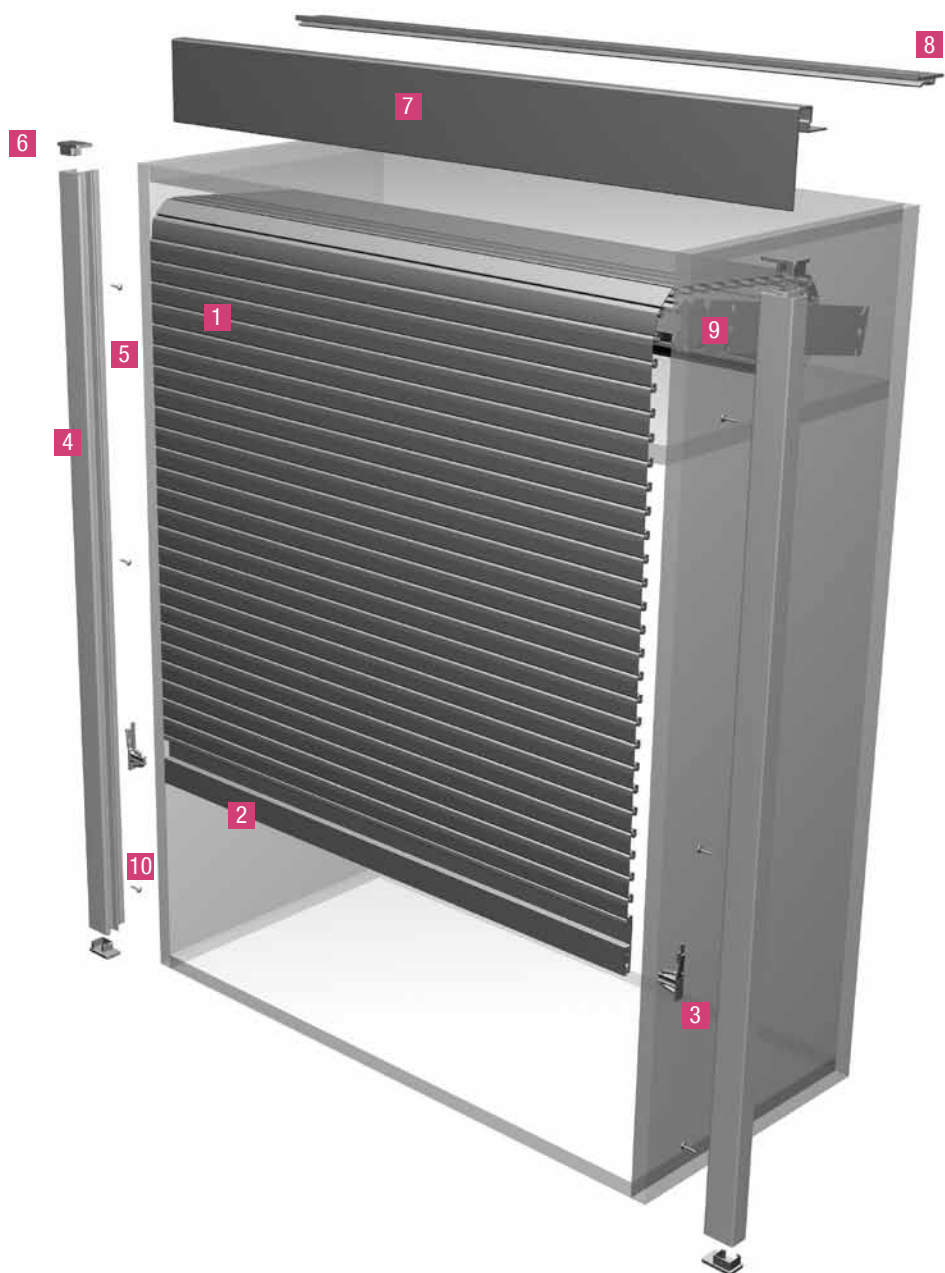
- 1 Slats
- 2 Handle
- 3 Handle gliders
- 4 Track cover
- 5 Track base
- 6 End caps
- 7 Cover profile
- 8 Cover profile base
- 9 C3 counterbalance
- 10 Hardware*

Tools Needed

- Power drill and #2 bit
- Tape measure
- Level
- 8 mm drill bit

*Hardware includes:

- #6 x 1/2" Flat head screws
- #6 x 1/2" Pan head screws
- 8 – 18 x 1" Tapping screws
- 5/16 x 1" Wooden dowels

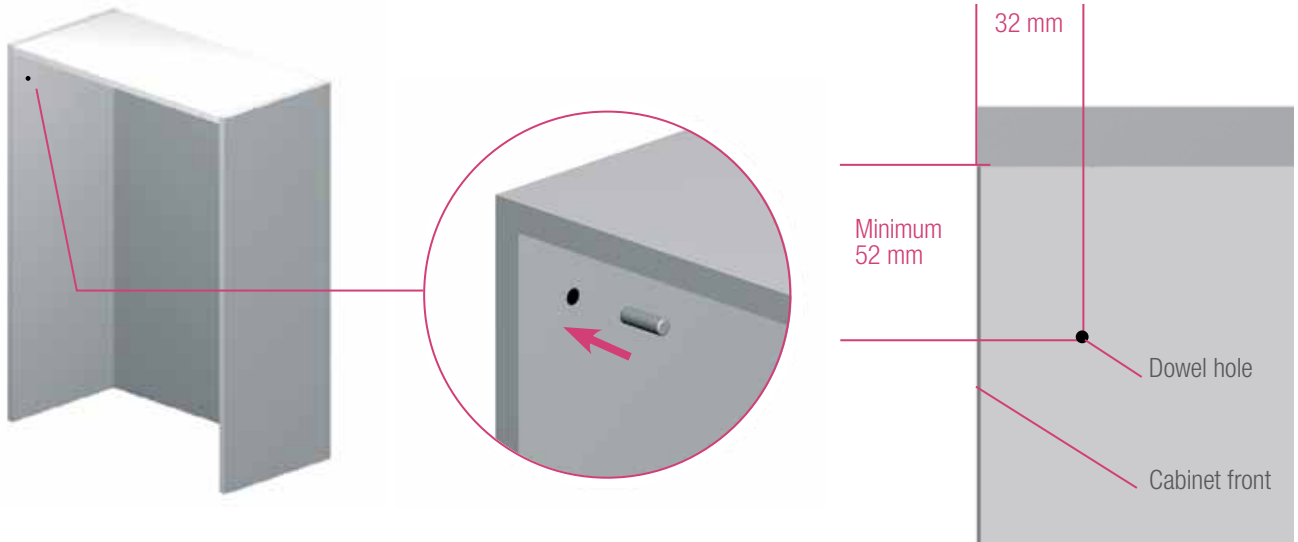


Follow along with this step-by-step installation video

Step 1: Dowel and Screw Placement

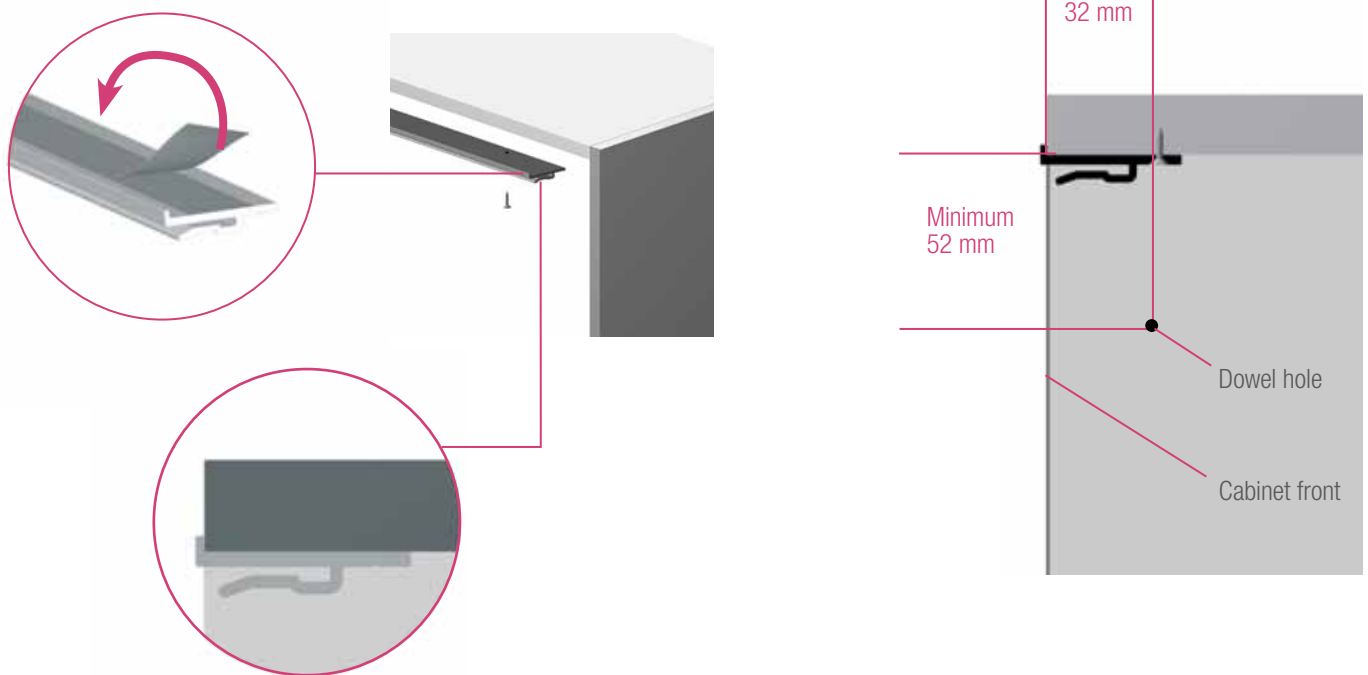
- Mark the dowel and screw placement for the C3 brackets.
- Repeat on both sides.
- Pre-drill an 8 mm diameter hole and insert the wooden dowel.
- Repeat on both sides.

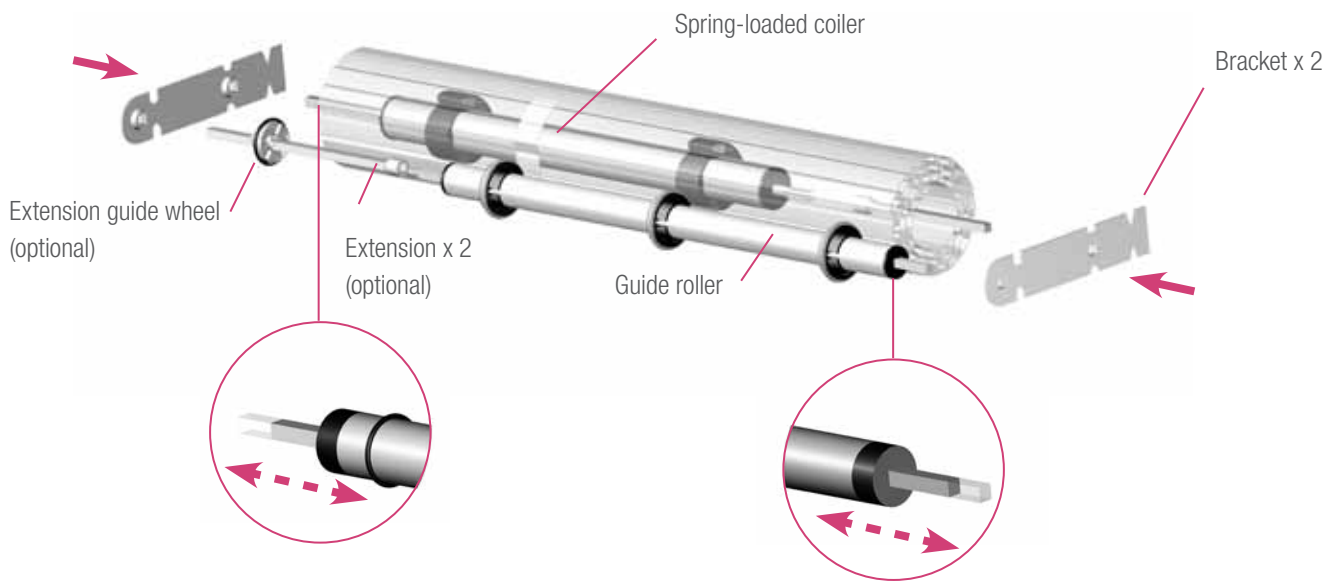
Note: An internal cabinet depth of ≥ 290 mm is required for installation.



Step 2: Cover Profile Mounting Piece Installation

- Remove the adhesive strip from the mounting piece.
- Attach the mounting piece to the inside of the cabinet top making sure it is centered between the side walls.
- Fasten in place with #6 x 1/2" pan head screws while maintaining a gap of about 200 mm between screws.

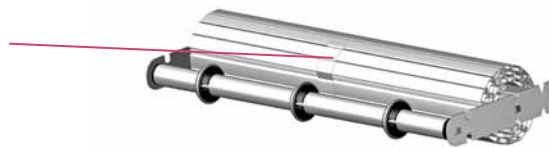




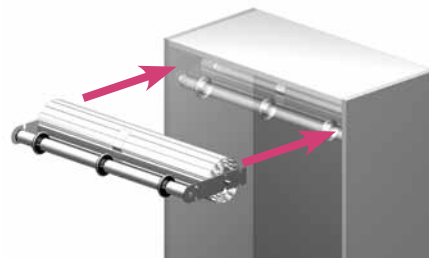
Step 3: Assemble and Install C3 Mechanism (with carpet)

- Ensure that the tambour carpet is coiled around the spring-loaded roller.
- If attached, remove the handle from the tambour carpet and set aside.
- Hold the free end of the shutter with a strip of adhesive tape approximately 120 mm in length.
- Lay the tambour carpet on the table, adhesive tape facing the front.
- Push the left- and right-hand brackets onto the spring-loaded axle and the guide roller.
- The C3 mechanism and tambour carpet are ready to install.

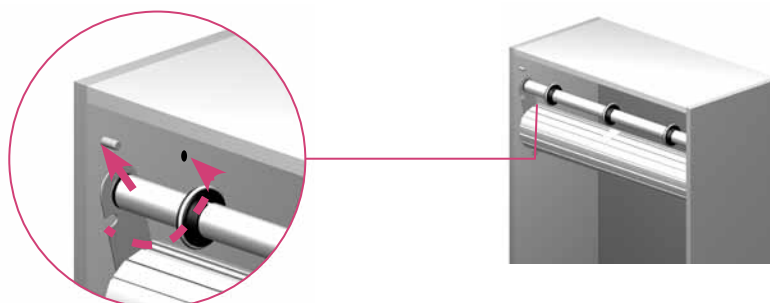
NOTE: Do not remove tape or apply pre-tension at this time.



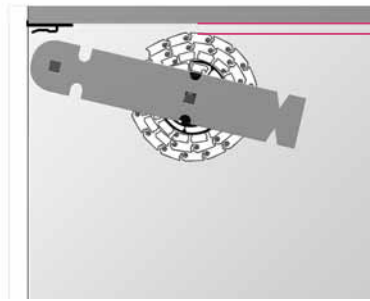
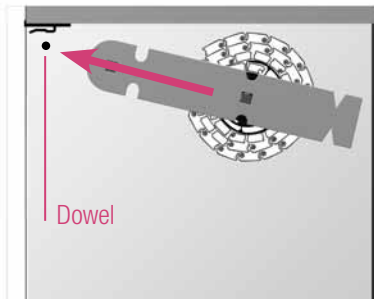
- Compress both brackets as far inward as possible and slide the system into the top of the cabinet.



- Pull the system forward toward the cabinet front and slide the brackets onto the wooden dowels.



- Swing the rear of the system upward to align with the pre-marked screw placements.
- Ensure that the system is level and maintains a minimum 10 mm gap from the cabinet ceiling.
- Fasten the brackets to the cabinet walls with screws.

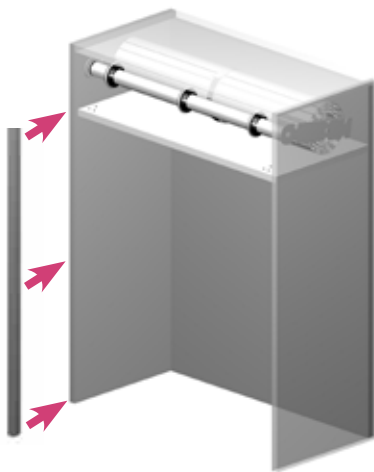


10 mm

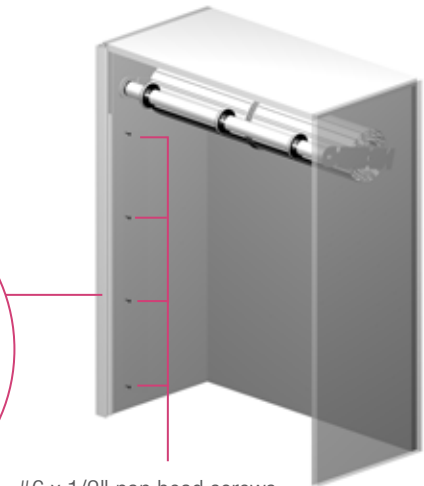
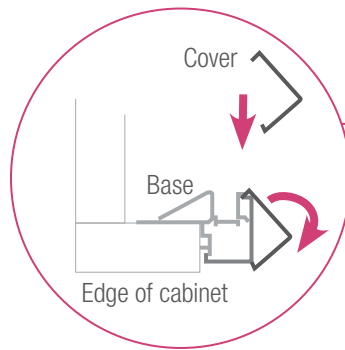
Note: If you are installing a fixed shelf below the system, allow for a minimum clearance of 10 mm between the shelf and the bottom of the coiled tambour carpet.

Step 4: Track, Track Cover and End Cap Installation

- Mount the track base to the cabinet wall and fasten with screws. (Recommended distance between screws is 200 mm)
- Repeat on both sides.
- Position the top end caps and fasten with screws.
- Snap the track covers into place.



Note: For ease of installation it is recommended to pre-drill track.



#6 x 1/2" pan head screws

Step 5: Feed Component Installation

- Connect the track feed component to the track base. Hold in place with a screw if necessary.



Step 6: Pre-loading C3 Carpet

- Apply necessary pre-tension to the coiled tambour carpet.
Refer to the table for the correct number of revolutions based on cabinet height and width.
- Carpet should be pre-loaded counter clockwise.

Pre-tension Specifications

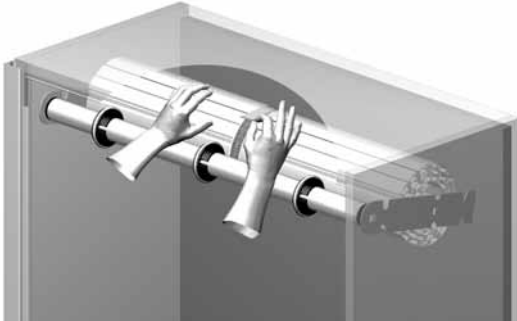
Tolerance \pm one turn*

Width internal (mm)	Height internal (mm)		
	600-1000	1000-1350	1350-1500
350-384	1-2	2	3
385-549	2-3	3-4	4-5
550-584	1-2	2	3
585-749	2-3	3-4	4-5
750-784	2-3	3	5
785-949	2-3	4-5	6-7
950-984	2-3	4	6
985-1149	3-4	4-5	7-8
1150-1184	1-2	3	4

* The following values are given as recommendations only. The optimal setting for pre-tension must be determined by the end user.

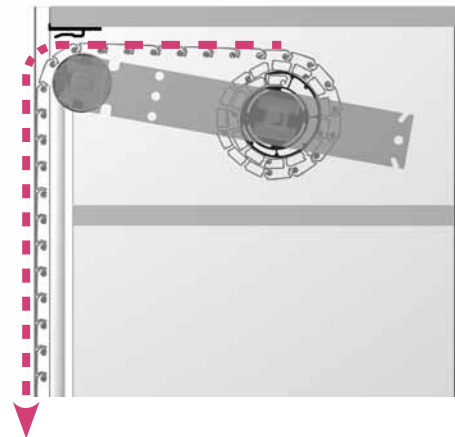
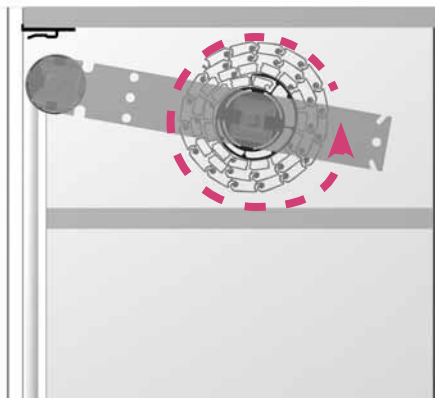
Step 7: Feed Tambour Carpet

- Feed the carpet over the guide roller and down the tracks.



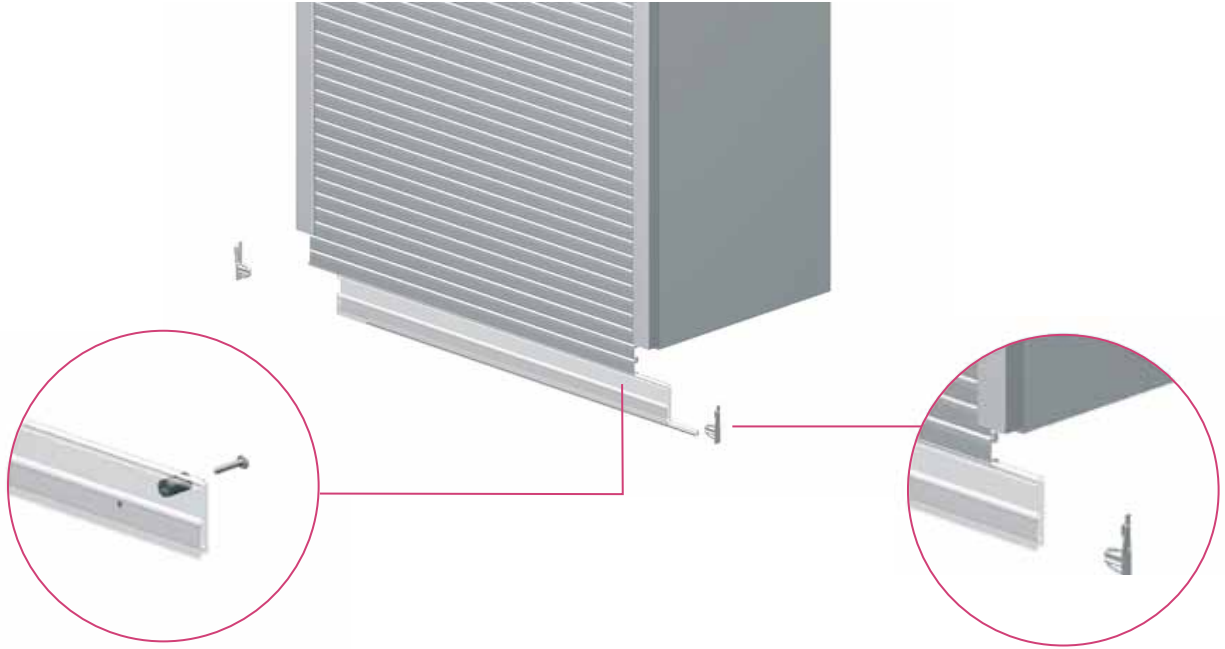
⚠ WARNING!

Coiled carpet can move freely once tape is removed. Avoid risk of injury by holding the carpet until feeding is complete.



Step 8: Combo-Grip, Gliders and Stopper Profiles Installation

- Pull the carpet until it has cleared the bottom of the track.
- Slide on the handle.
- Insert the handle gliders and carefully guide the door back into the tracks.
- Install the stopper profiles on the back of the handle using the provided tapping screws.
- Insert the bottom end caps into the track.



Step 9: Cover Profile Mounting

- To complete door installation, insert the cover profile into the mounting piece clip.



For updates to this publication, visit na.rehau.com/resourcecenter

The information contained herein is believed to be reliable, but no representations, guarantees or warranties of any kind are made as to its accuracy, suitability for particular applications or the results to be obtained therefrom. Before using, the user will determine suitability of the information for user's intended use and shall assume all risk and liability in connection therewith.

© REHAU 2013 Printed in USA