

REHAU WINDOW SYSTEM 4500

TECHNICAL INFORMATION
DETAIL DRAWINGS

REHAU WINDOW SYSTEM 4500

DETAIL DRAWINGS

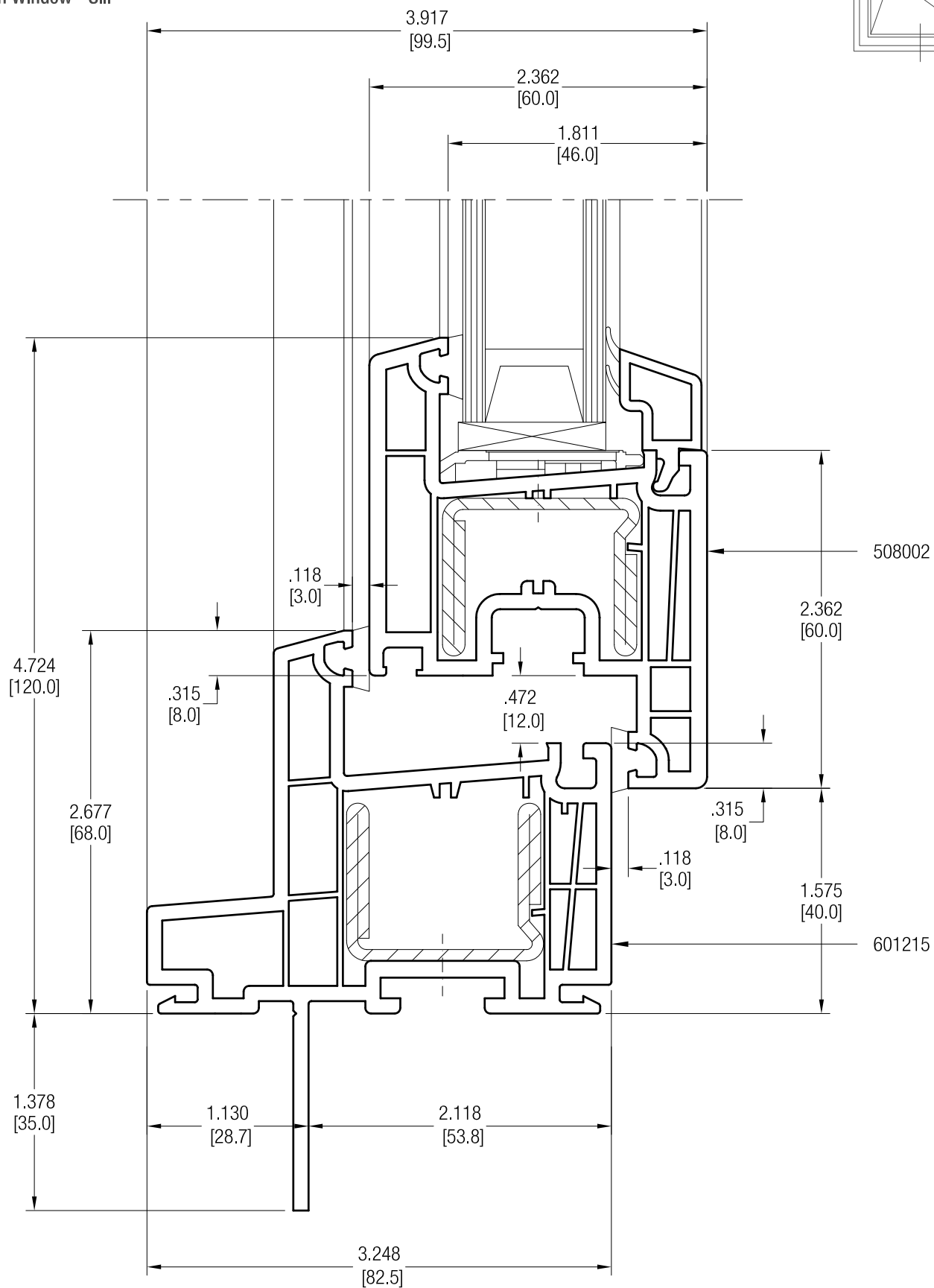
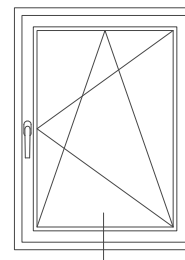
Table of Contents

Tilt-Turn Window - Sill	3
Tilt-Turn Window - Mullion	7
Tilt-Turn Window - Astragal	13
Casement - Sill	17
Fixed Window - Sill	18
Fixed Window - Mullion	21
Tilt-Sliding Door - Sill	24
In-Swing Door - Sill	25
Out-Swing Door - Sill	26
In-Swing Door - Sill	27
Out-Swing Door - Sill	28
In-Swing Door - Threshold	29
Out-Swing Door - Threshold	31
Door – Compensation Profile	32
Frame Extension 20 mm Application	33
Coupling Profile / Flat Application	34
H-Connector / Chambered with Coupling Profile / Chambered Application	35
Coupling Profile / Chambered	36
Reinforcement Profile 1 and Coupling Profile / Flat Application	37
Chambered Mullion Cover Application	38
Wide Frame Connector Application	39
Flush Frame Connector Application	40
External Reinforcement Cover Application	41
Expansion Joint Application w/ Distance Blocks and Seal	42
Expansion Joint Assembly	43
Corner Post Application	44
Drip Rail Application	45
Sealing Support Application	46
Sash Ramp Application	47
Transport Setting Block Application	48
Distance Block Application	49

REHAU WINDOW SYSTEM 4500

DETAIL DRAWINGS

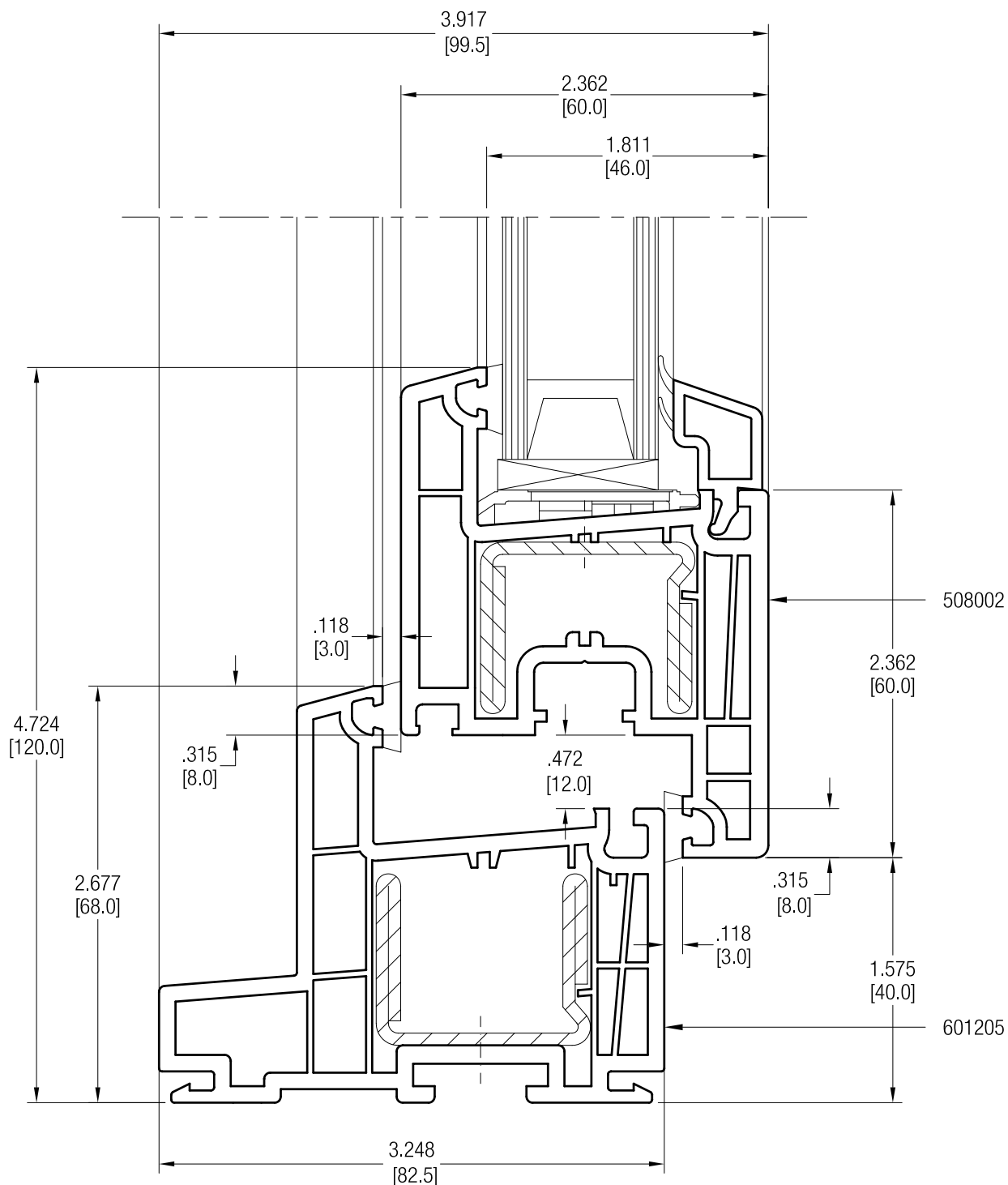
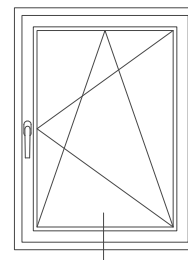
Tilt-Turn Window - Sill



REHAU WINDOW SYSTEM 4500

DETAIL DRAWINGS

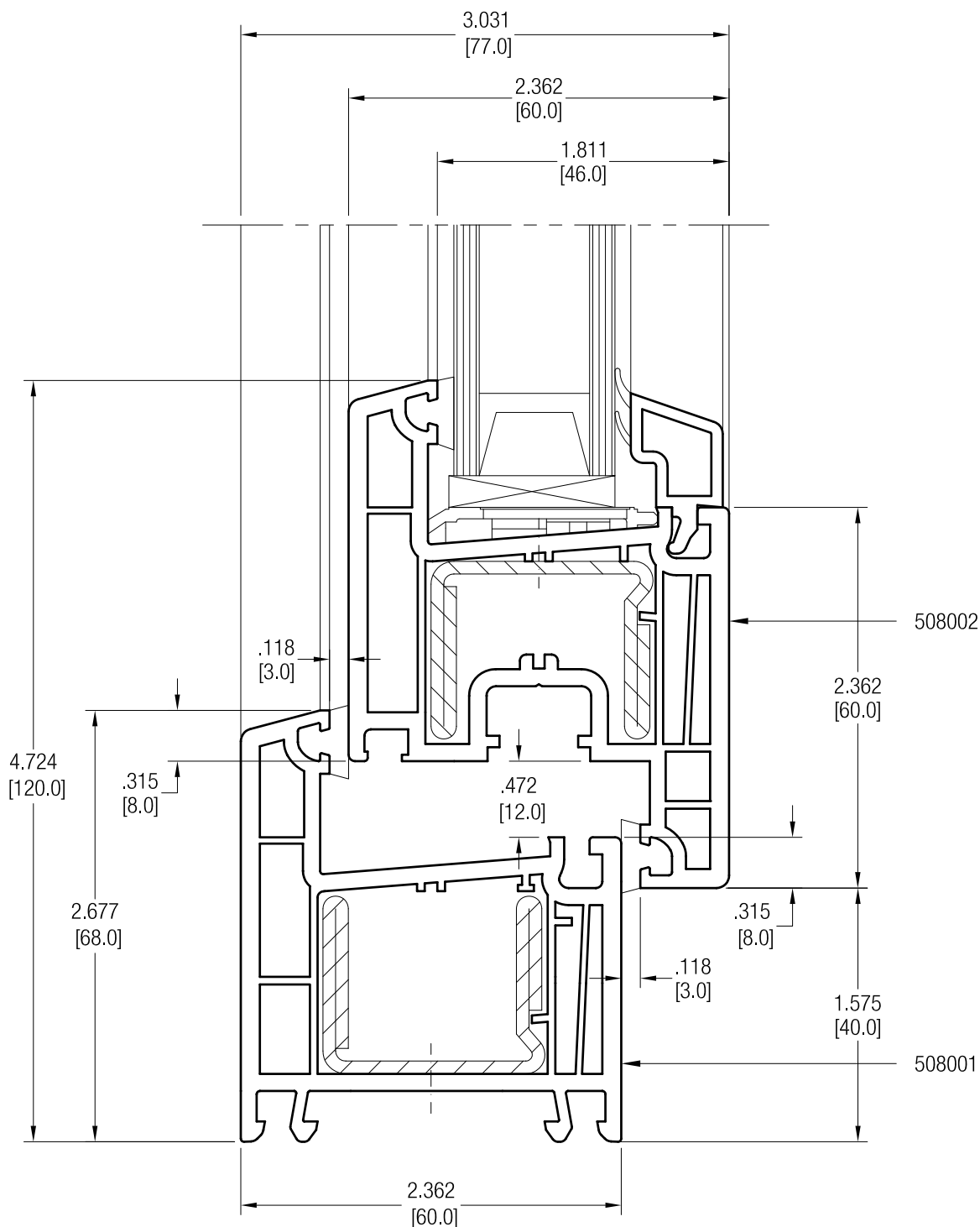
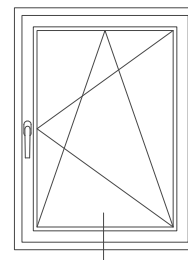
Tilt-Turn Window - Sill



REHAU WINDOW SYSTEM 4500

DETAIL DRAWINGS

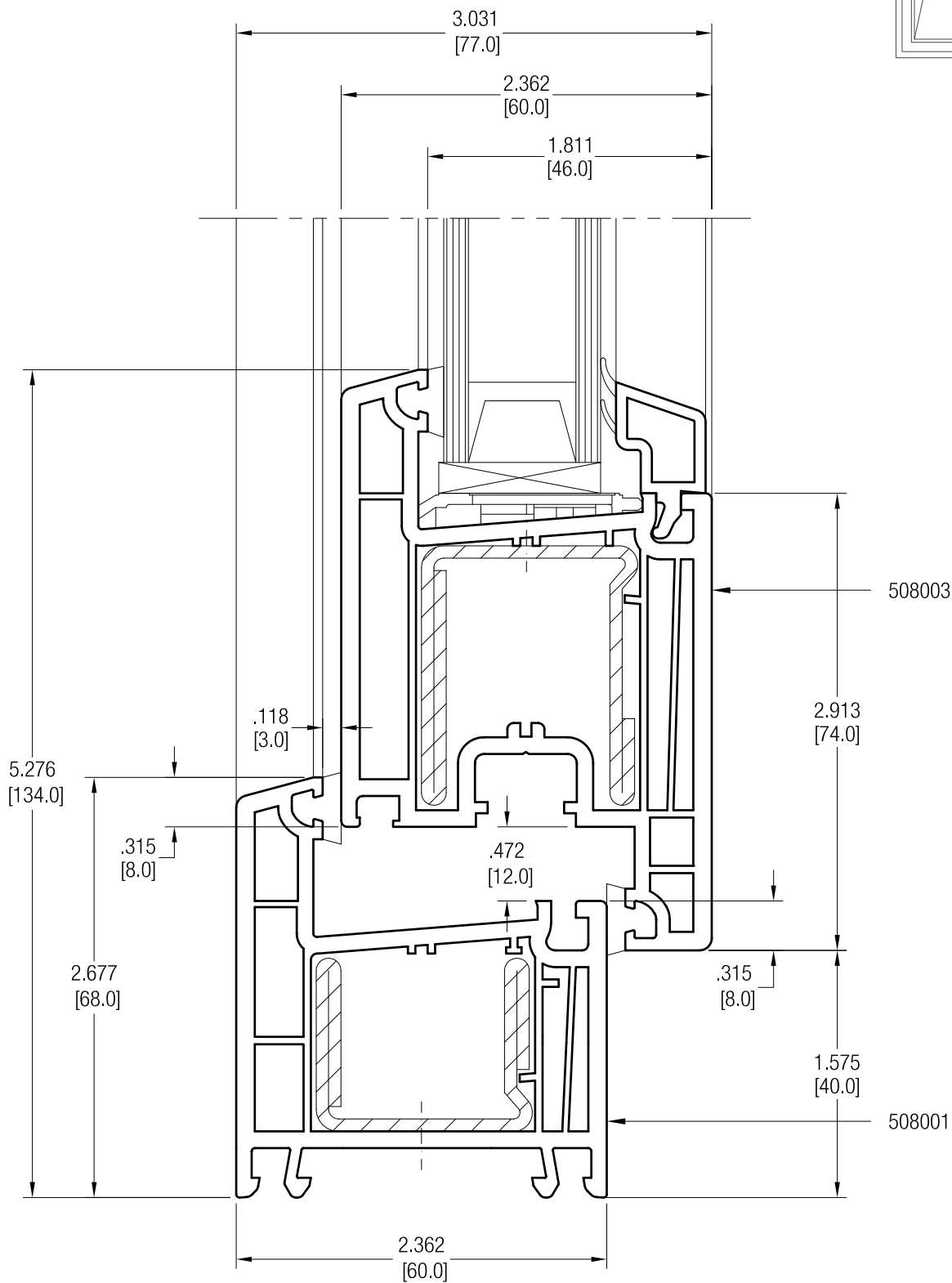
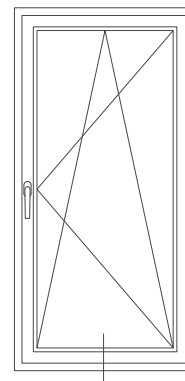
Tilt-Turn Window - Sill



REHAU WINDOW SYSTEM 4500

DETAIL DRAWINGS

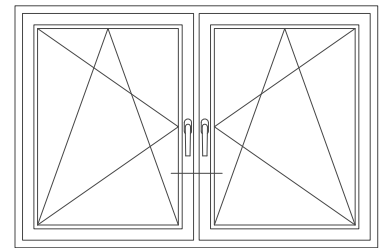
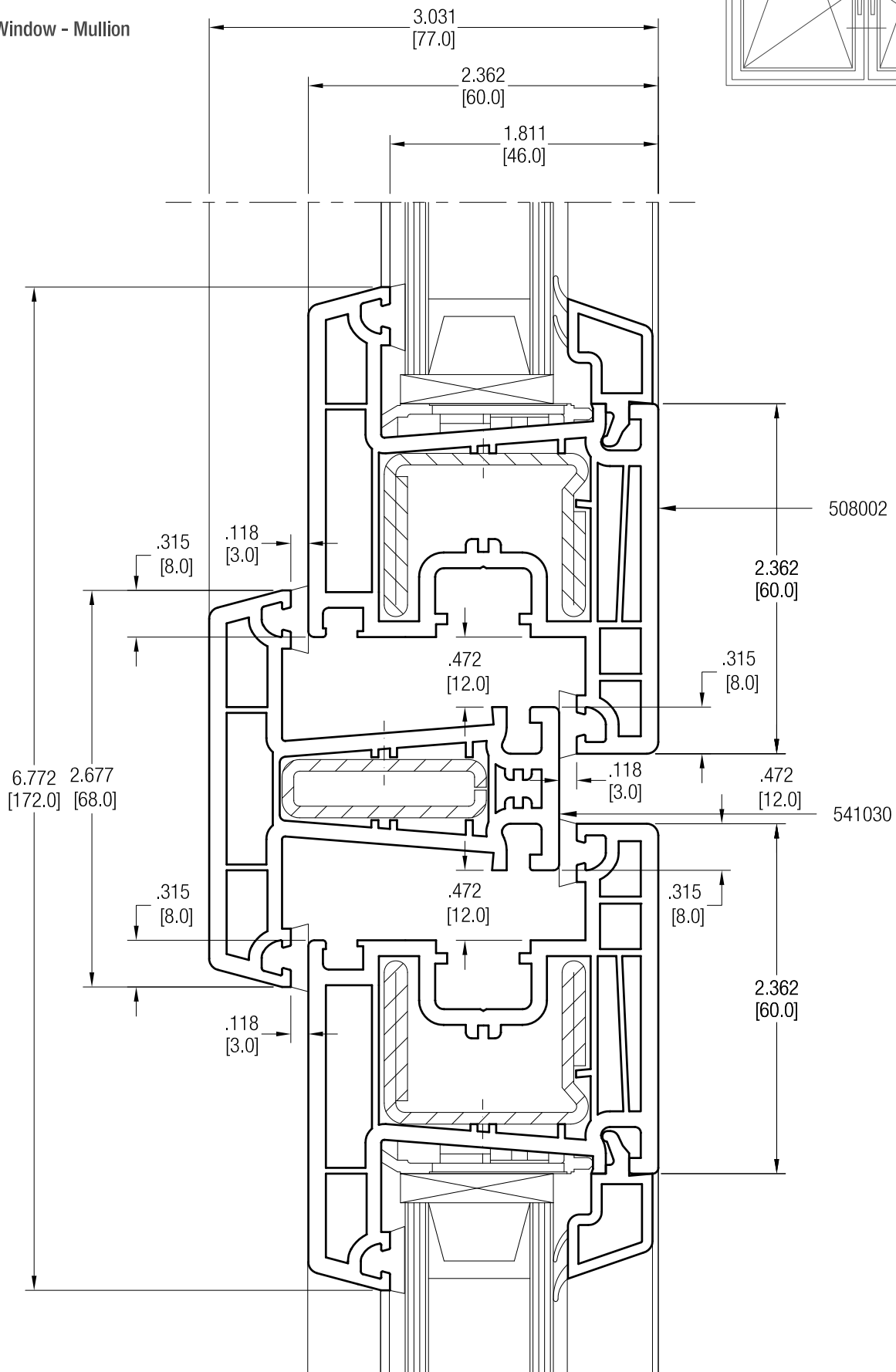
Tilt-Turn Window - Sill



REHAU WINDOW SYSTEM 4500

DETAIL DRAWINGS

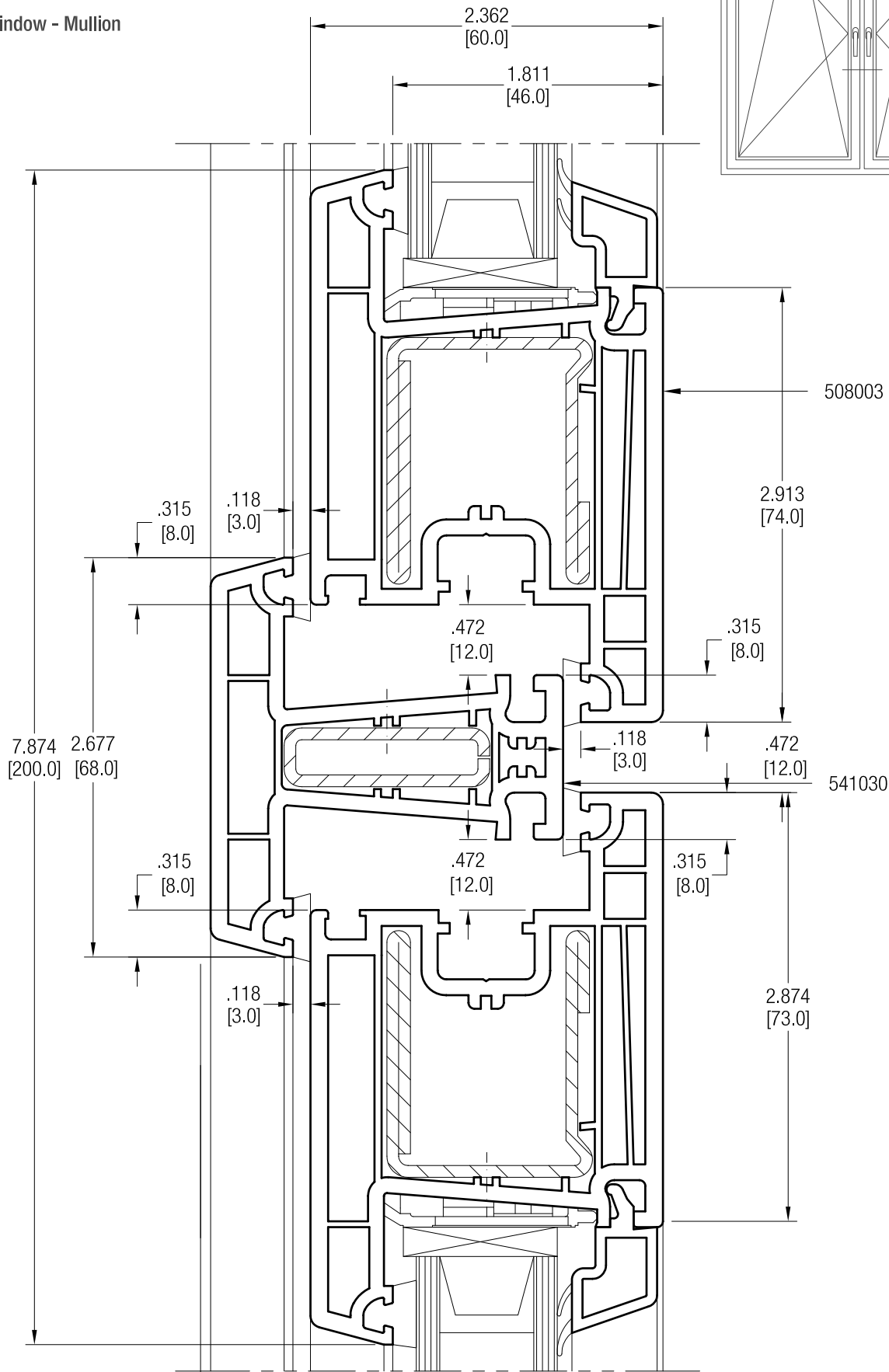
Tilt-Turn Window - Mullion



REHAU WINDOW SYSTEM 4500

DETAIL DRAWINGS

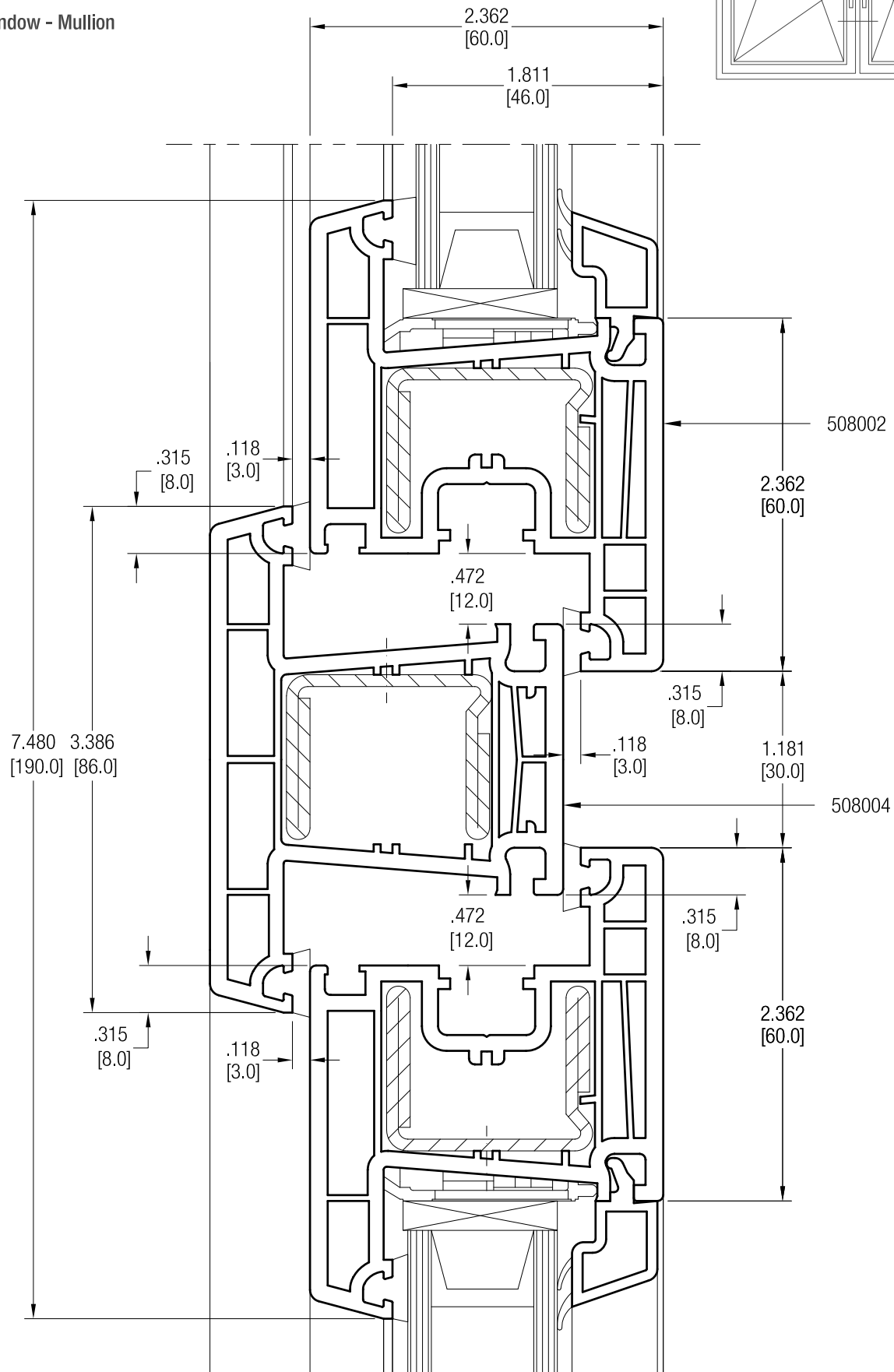
Tilt-Turn Window - Mullion



REHAU WINDOW SYSTEM 4500

DETAIL DRAWINGS

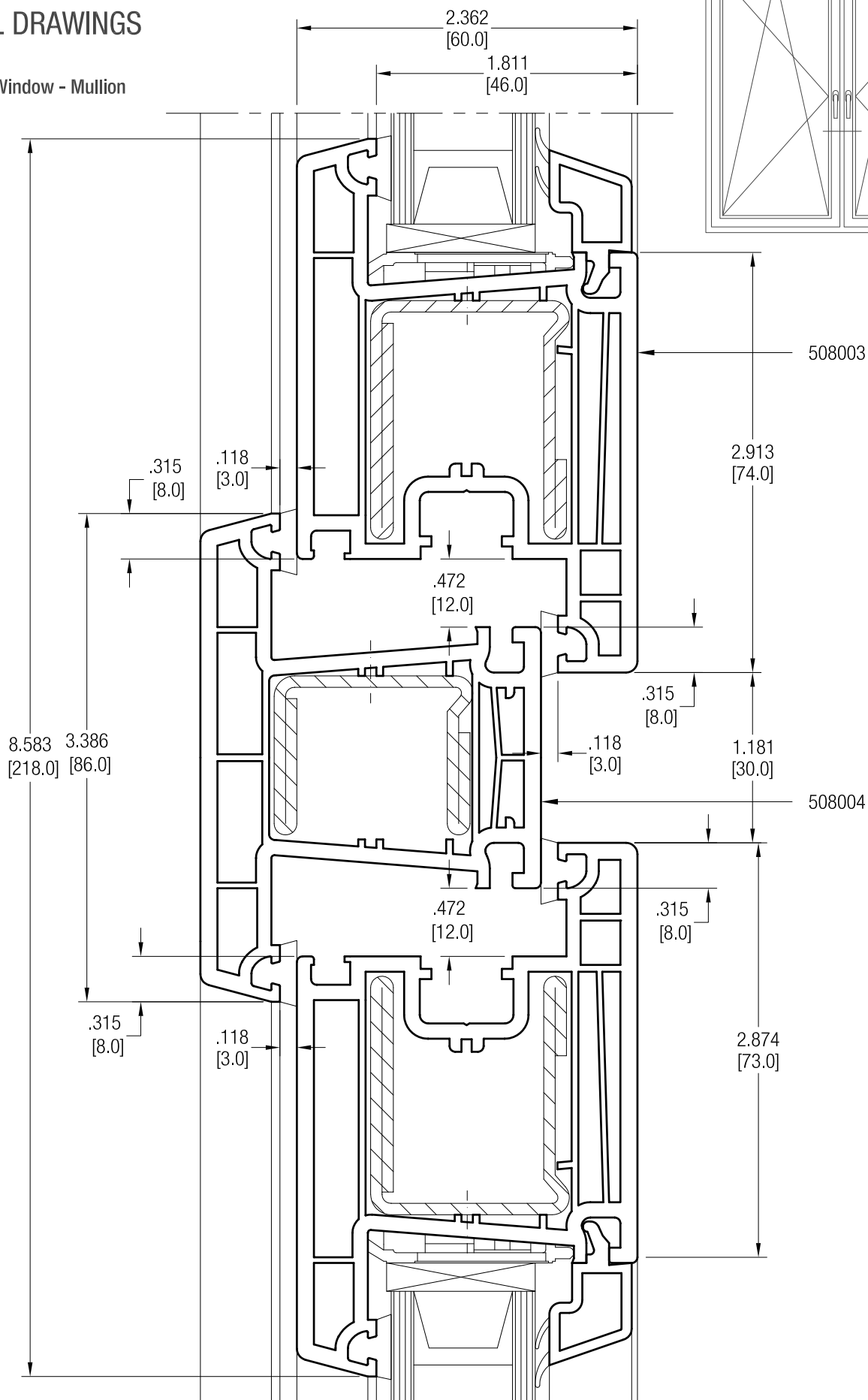
Tilt-Turn Window - Mullion



REHAU WINDOW SYSTEM 4500

DETAIL DRAWINGS

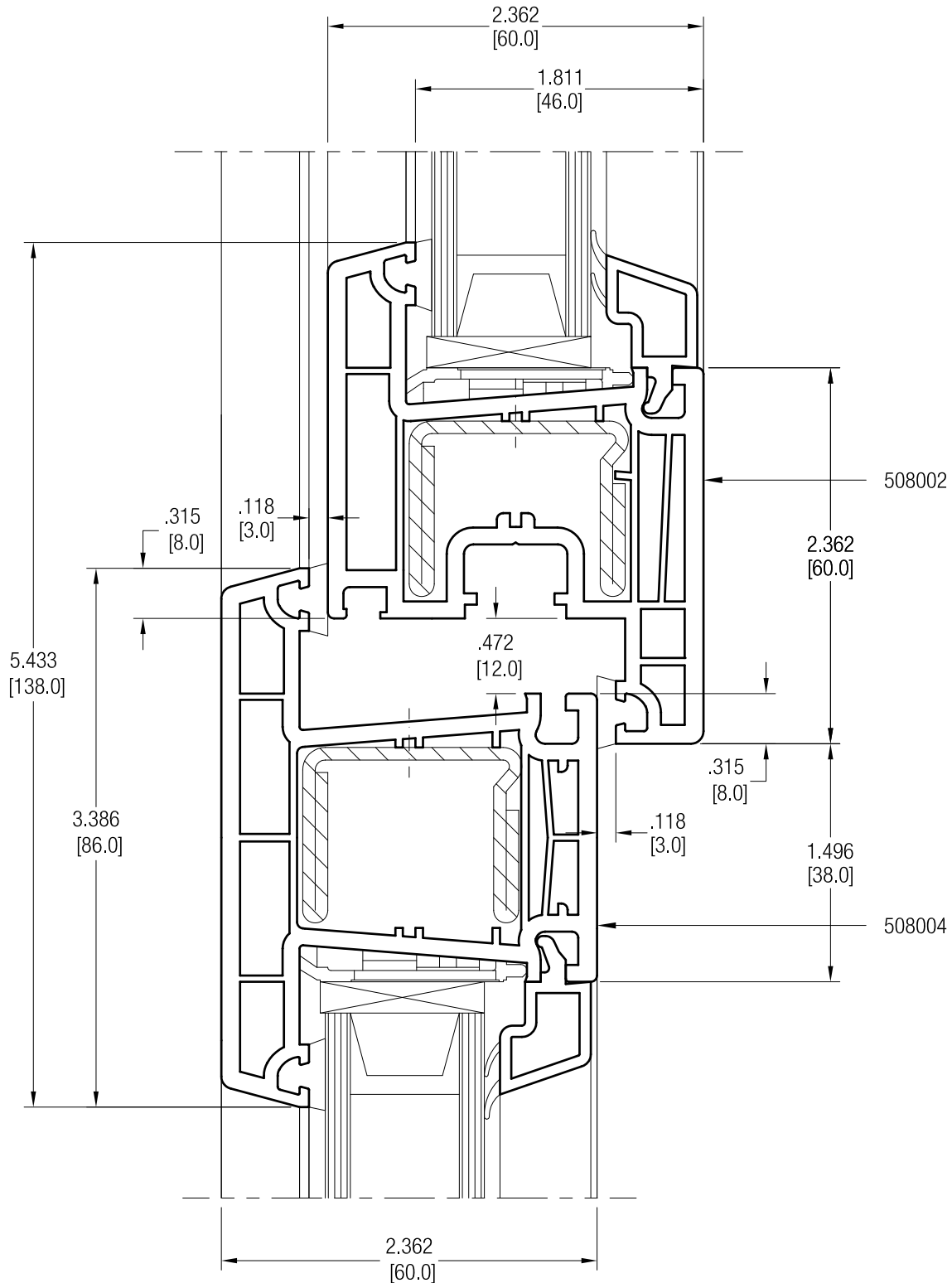
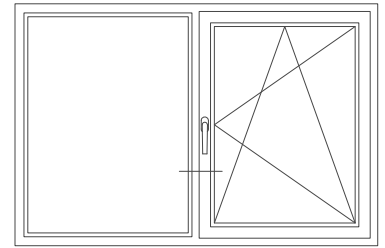
Tilt-Turn Window - Mullion



REHAU WINDOW SYSTEM 4500

DETAIL DRAWINGS

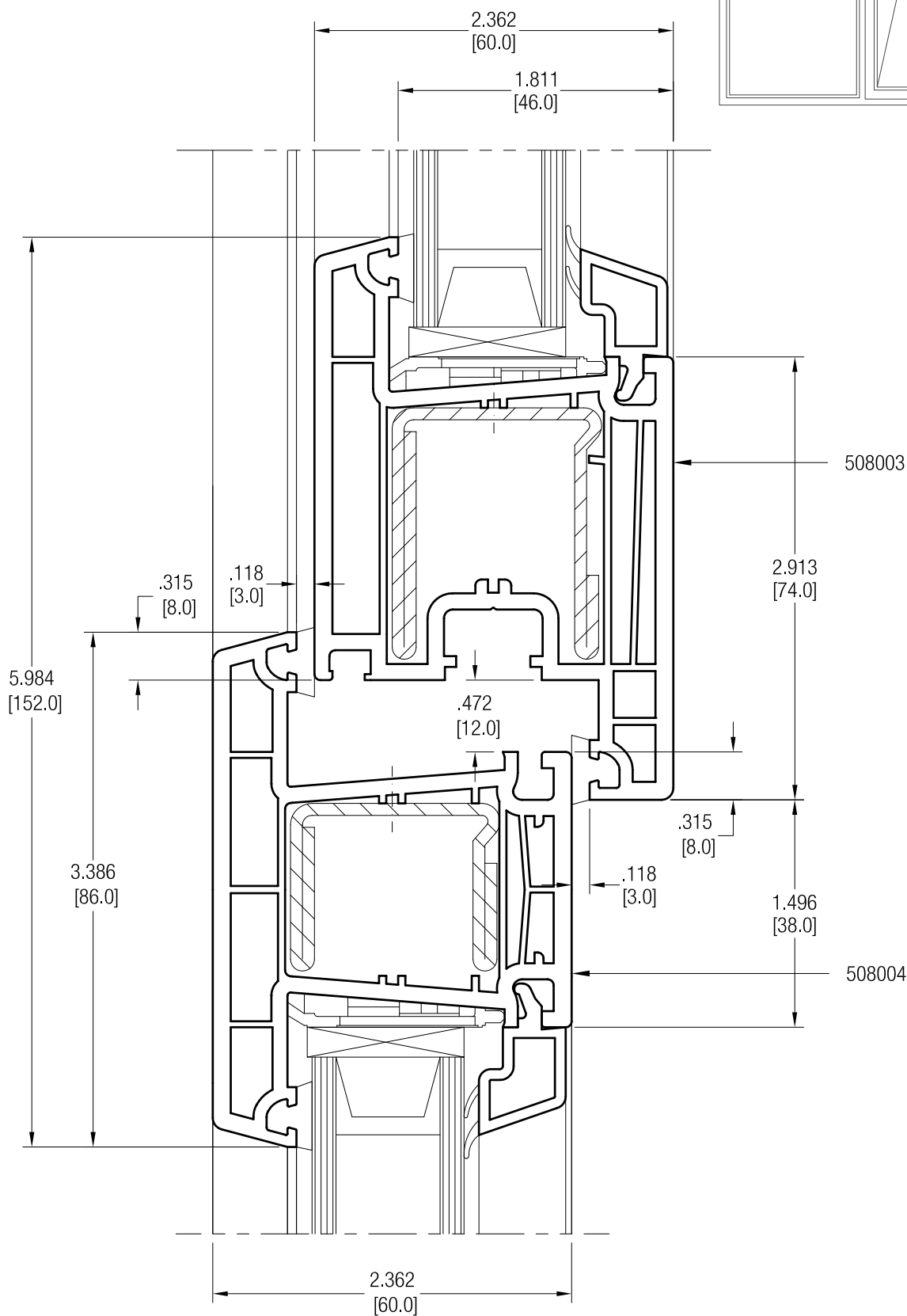
Tilt-Turn Window - Mullion



REHAU WINDOW SYSTEM 4500

DETAIL DRAWINGS

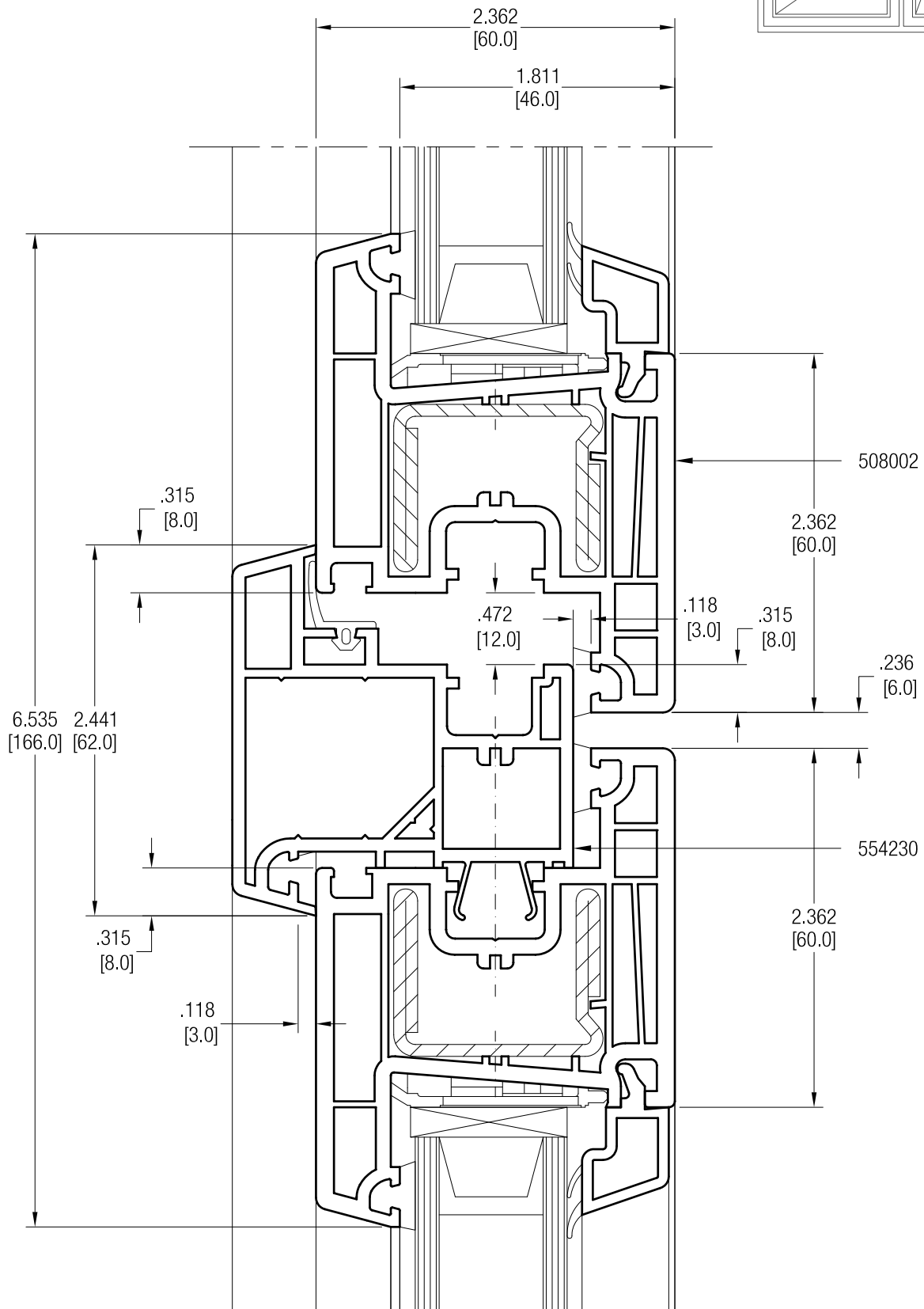
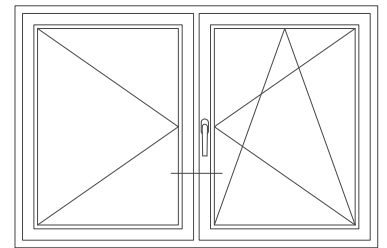
Tilt-Turn Window - Mullion



REHAU WINDOW SYSTEM 4500

DETAIL DRAWINGS

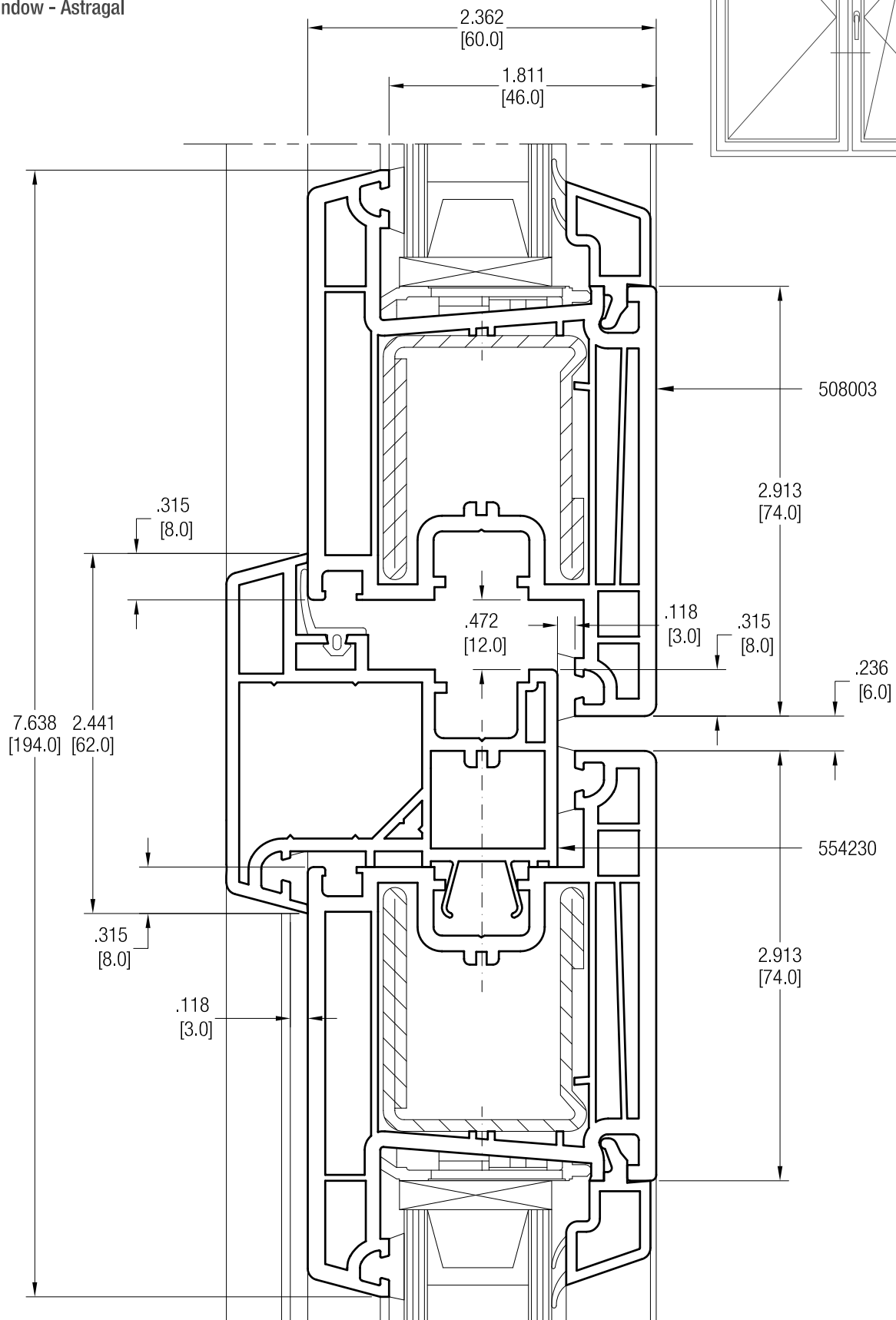
Tilt-Turn Window - Astragal



REHAU WINDOW SYSTEM 4500

DETAIL DRAWINGS

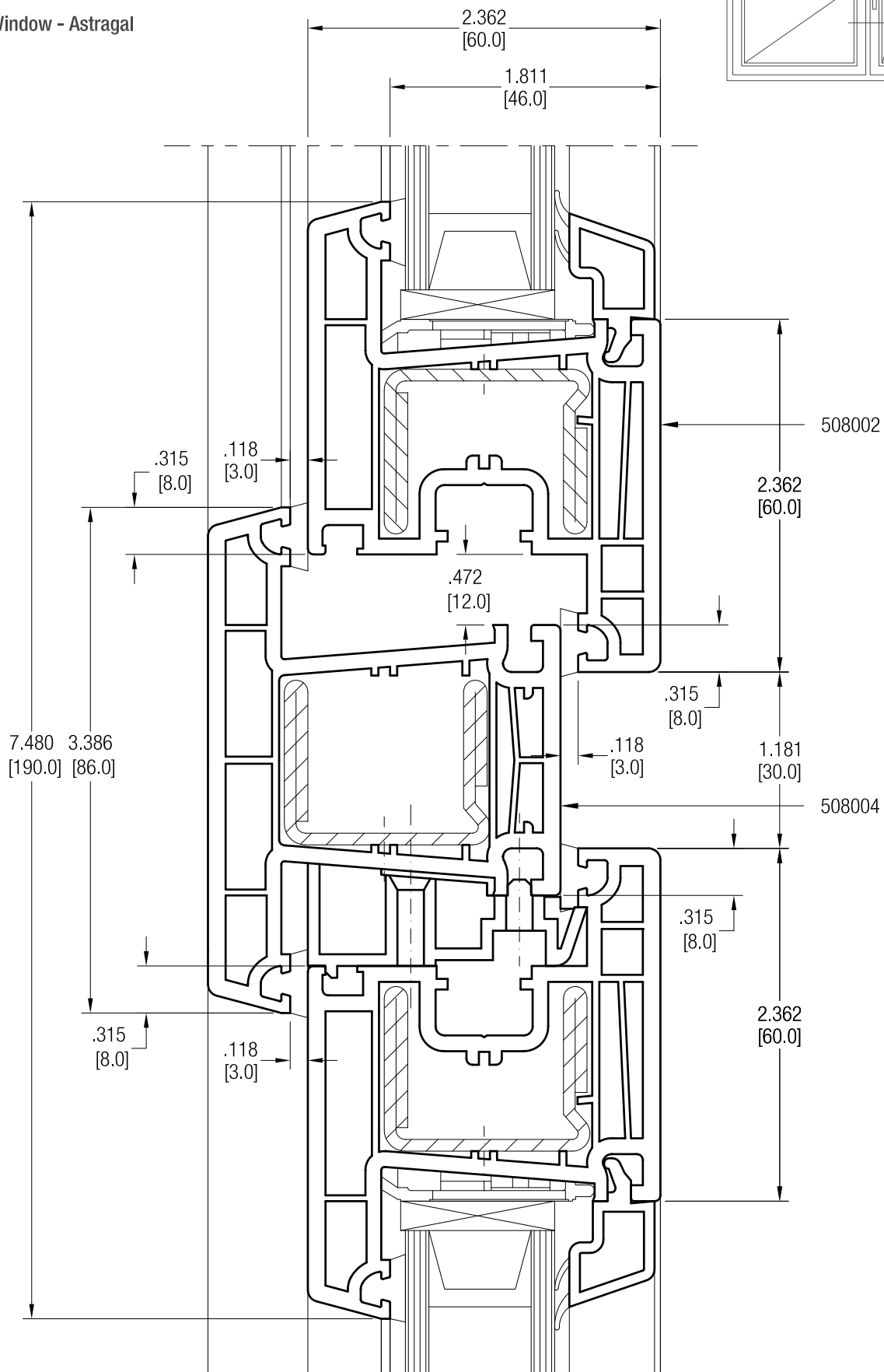
Tilt-Turn Window - Astragal



REHAU WINDOW SYSTEM 4500

DETAIL DRAWINGS

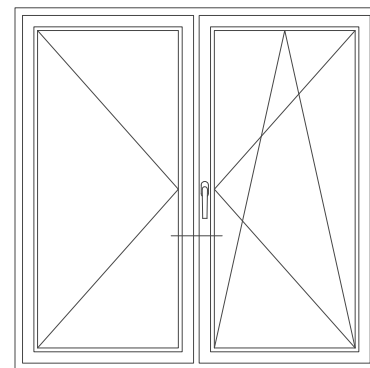
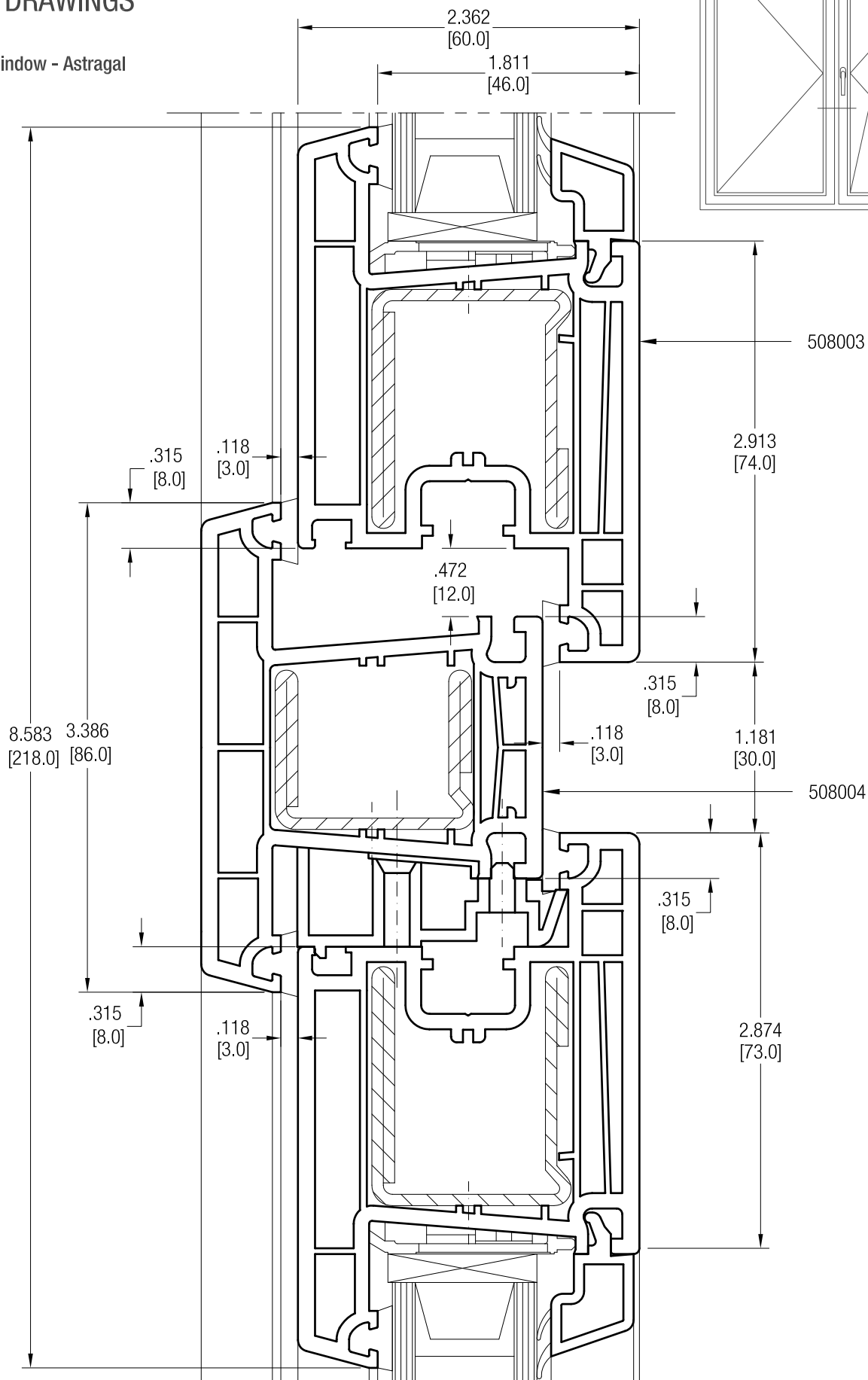
Tilt-Turn Window - Astragal



REHAU WINDOW SYSTEM 4500

DETAIL DRAWINGS

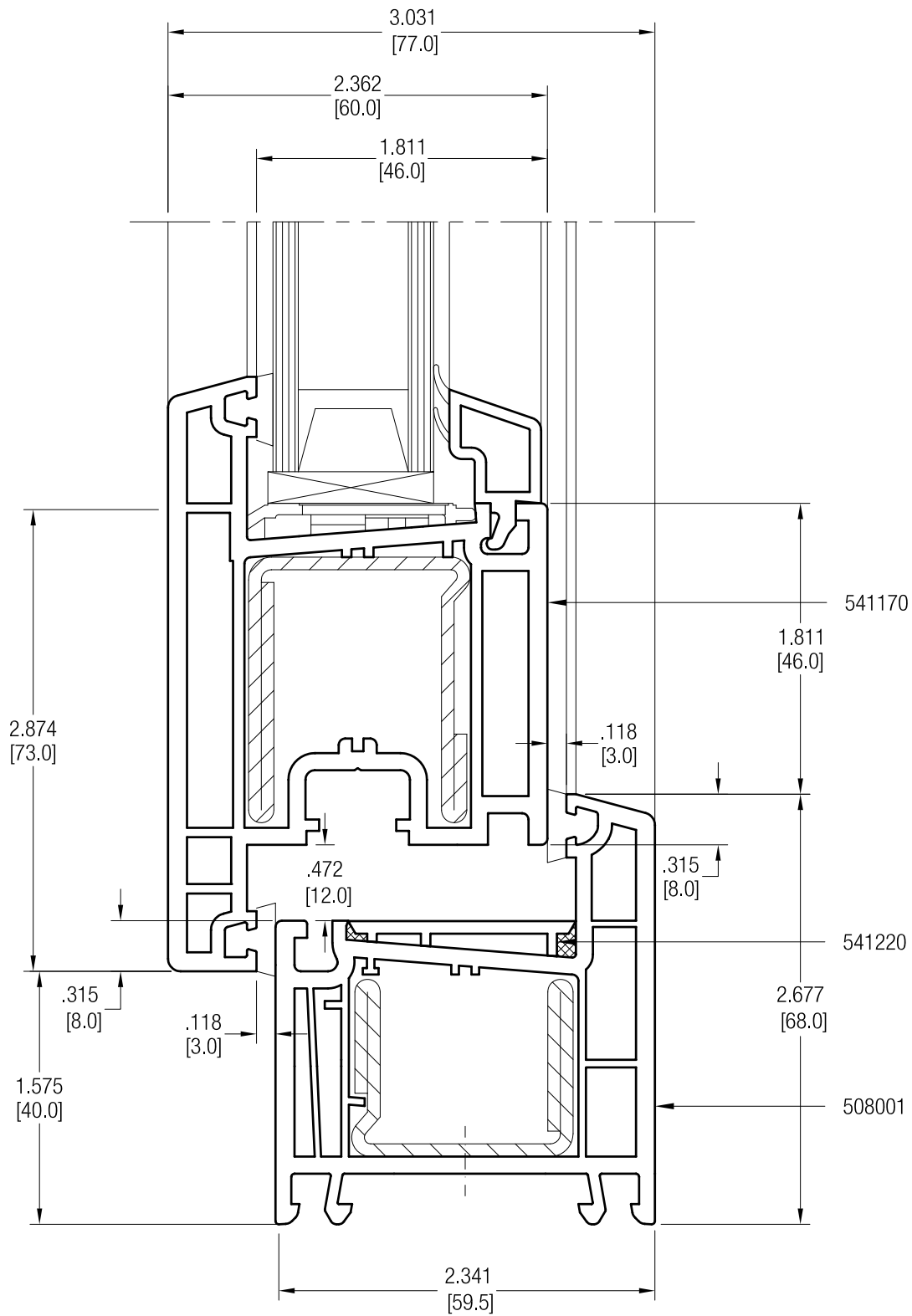
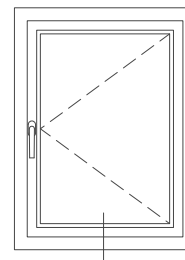
Tilt-Turn Window - Astragal



REHAU WINDOW SYSTEM 4500

DETAIL DRAWINGS

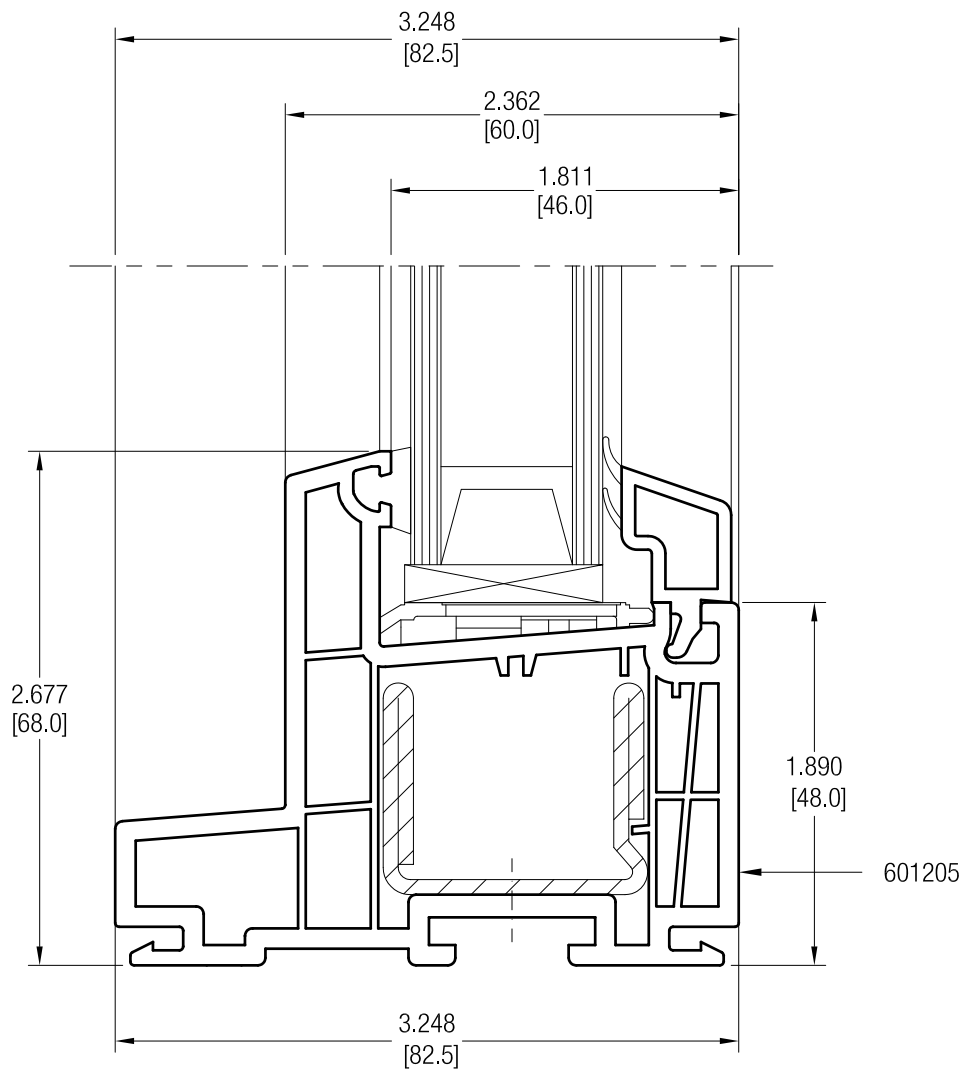
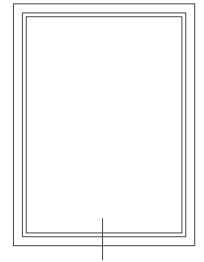
Casement - Sill



REHAU WINDOW SYSTEM 4500

DETAIL DRAWINGS

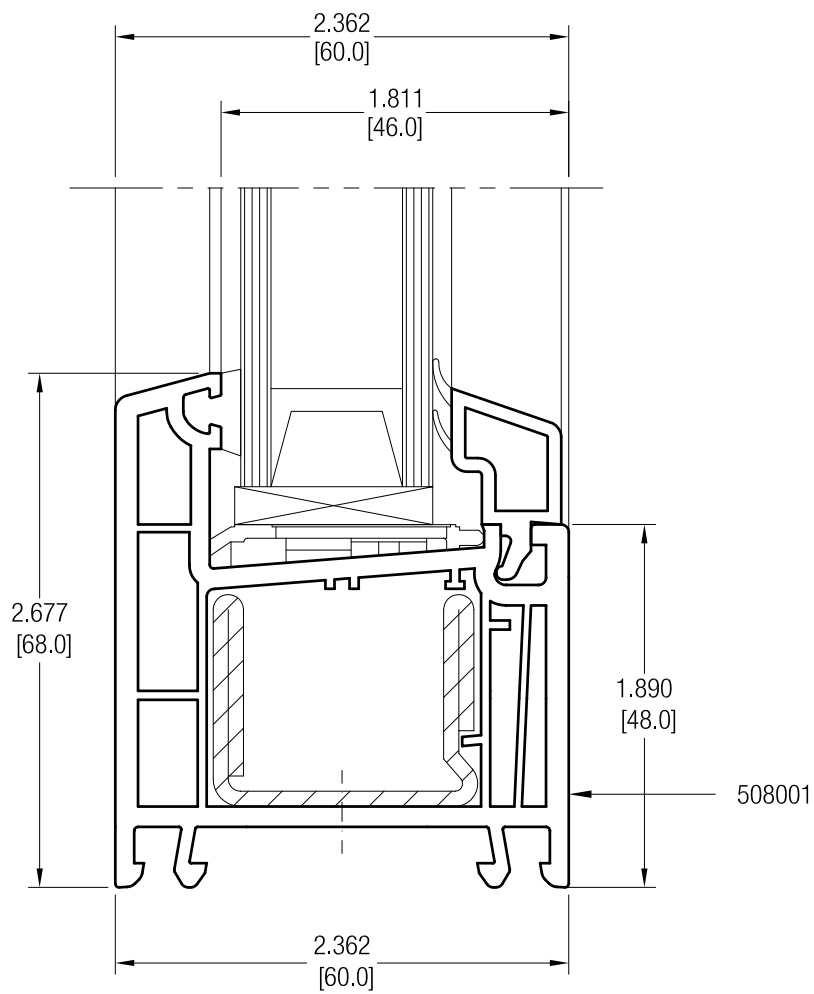
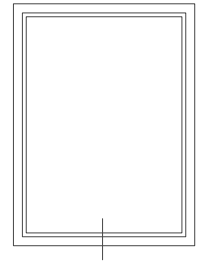
Fixed Window - Sill



REHAU WINDOW SYSTEM 4500

DETAIL DRAWINGS

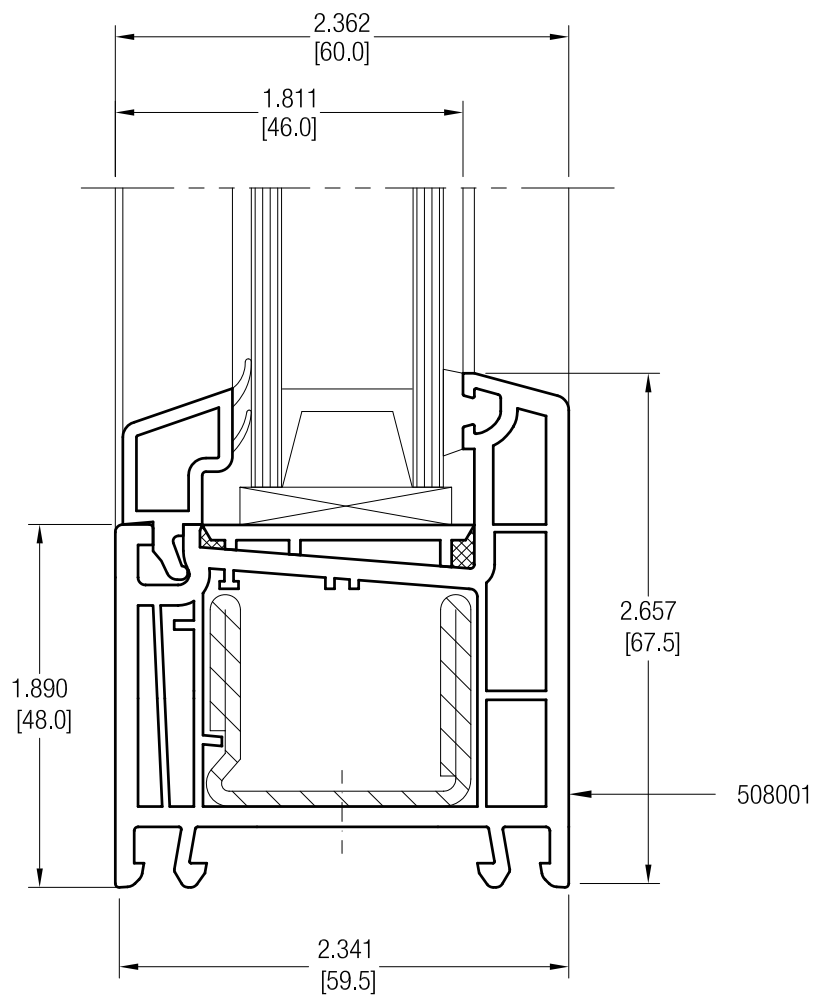
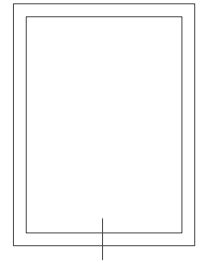
Fixed Window - Sill



REHAU WINDOW SYSTEM 4500

DETAIL DRAWINGS

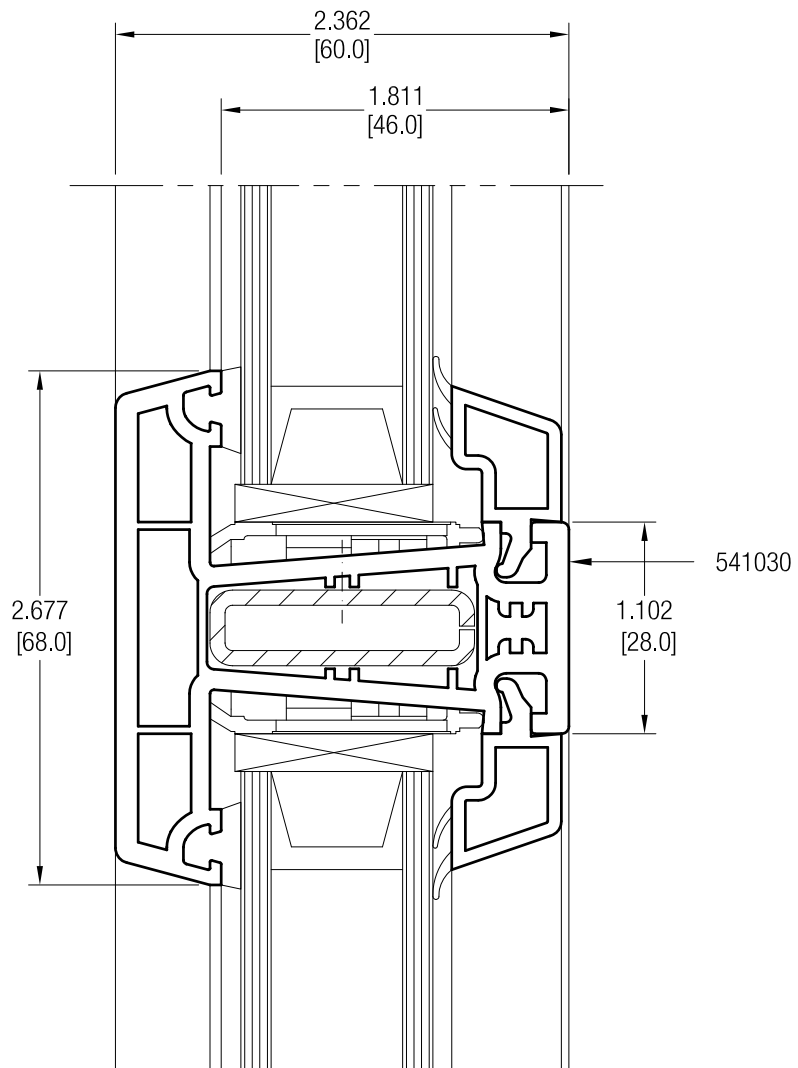
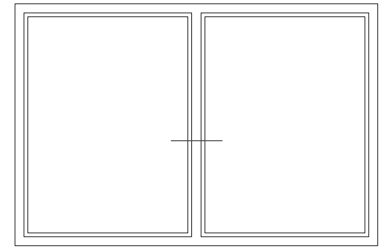
Fixed Window - Sill
For external glazing



REHAU WINDOW SYSTEM 4500

DETAIL DRAWINGS

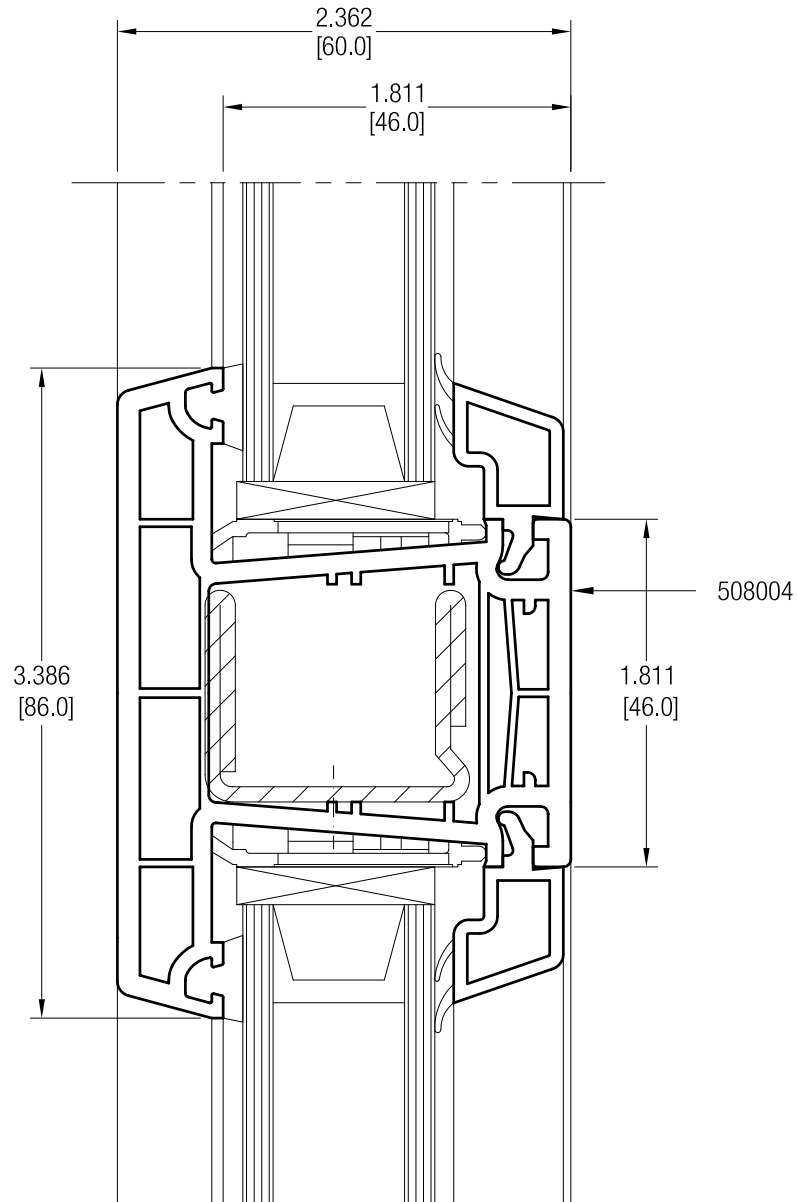
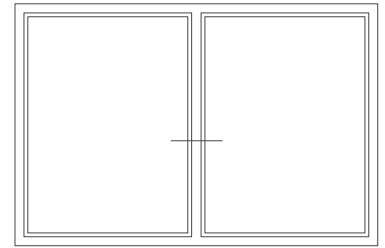
Fixed Window - Mullion



REHAU WINDOW SYSTEM 4500

DETAIL DRAWINGS

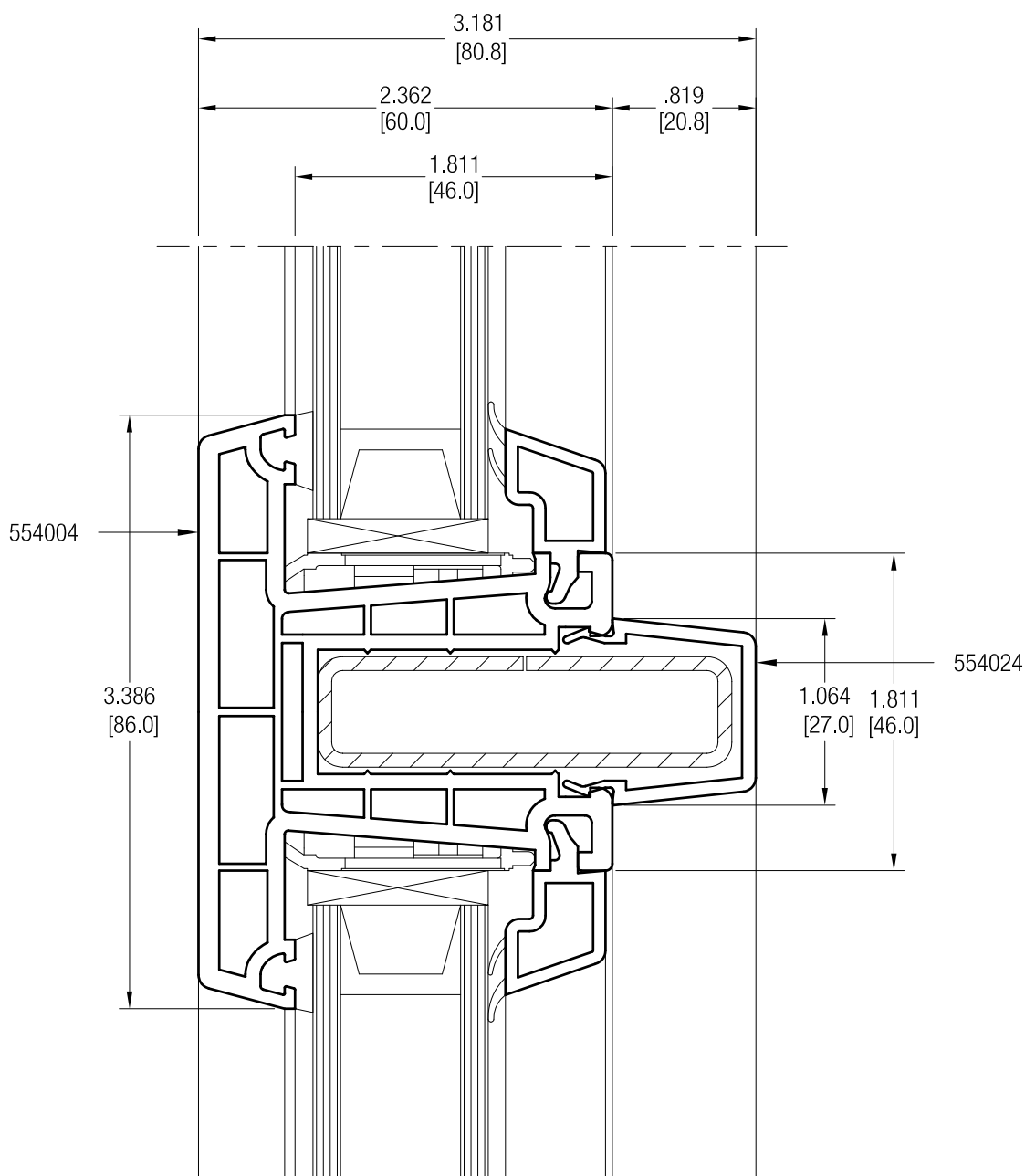
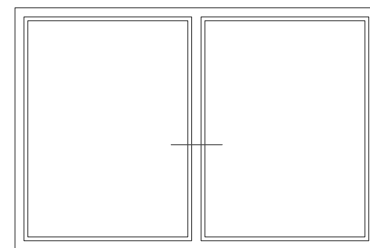
Fixed Window - Mullion



REHAU WINDOW SYSTEM 4500

DETAIL DRAWINGS

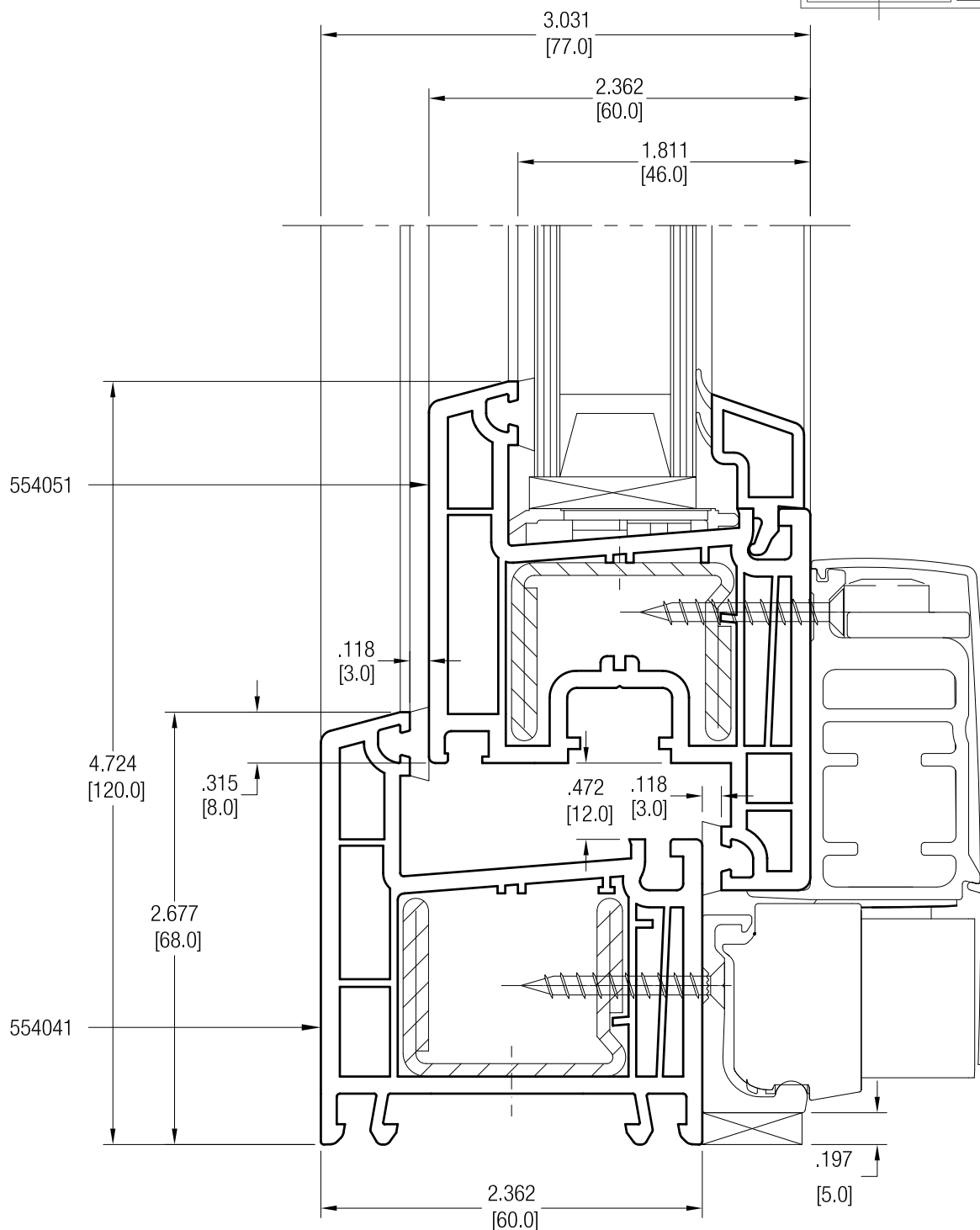
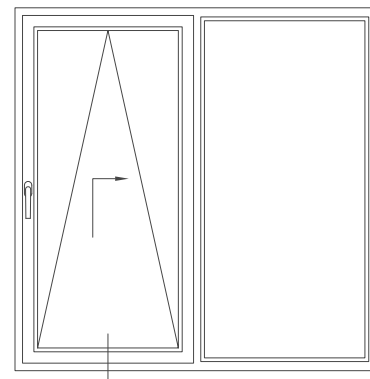
Fixed Window - Mullion



REHAU WINDOW SYSTEM 4500

DETAIL DRAWINGS

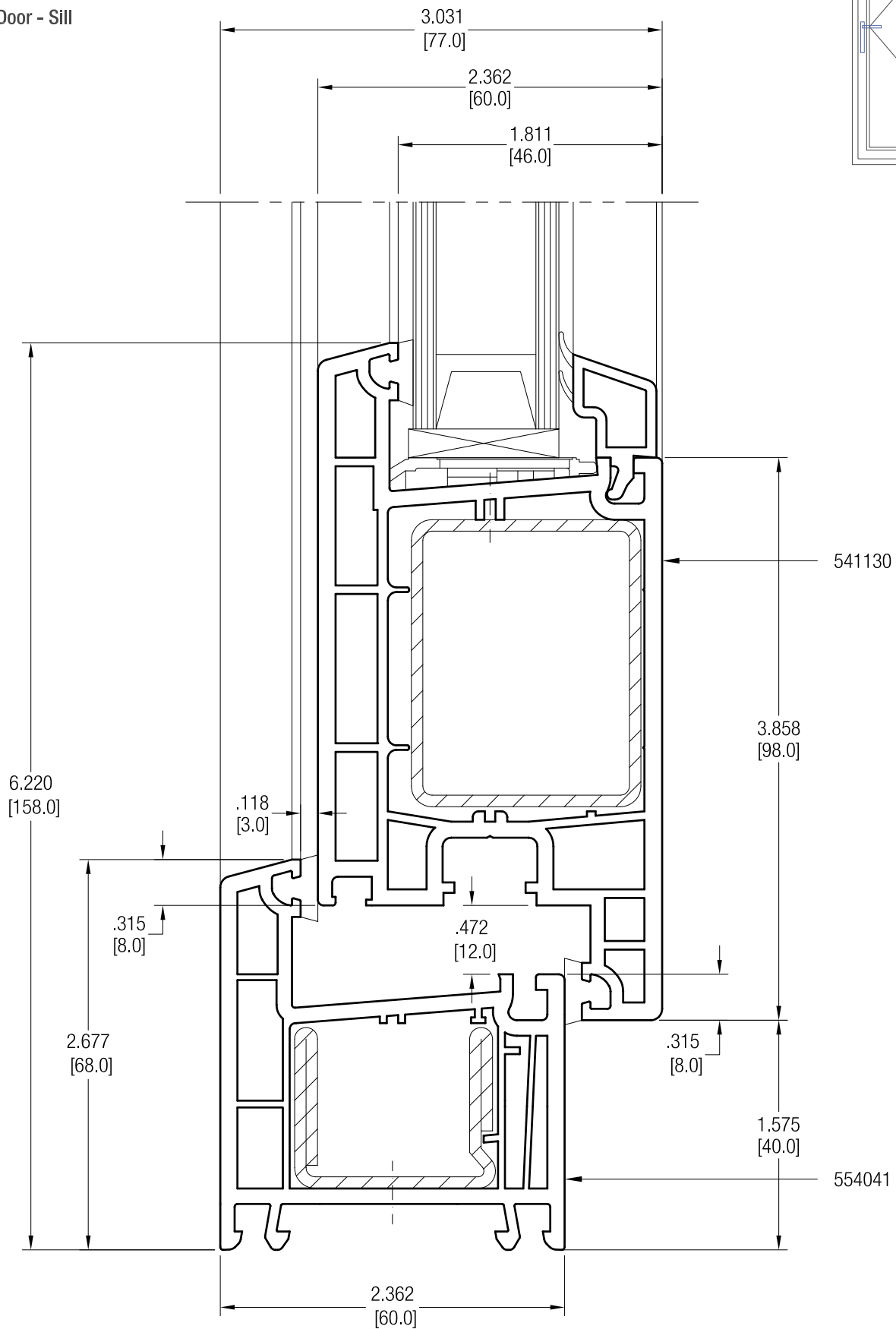
Tilt-Sliding Door - Sill



REHAU WINDOW SYSTEM 4500

DETAIL DRAWINGS

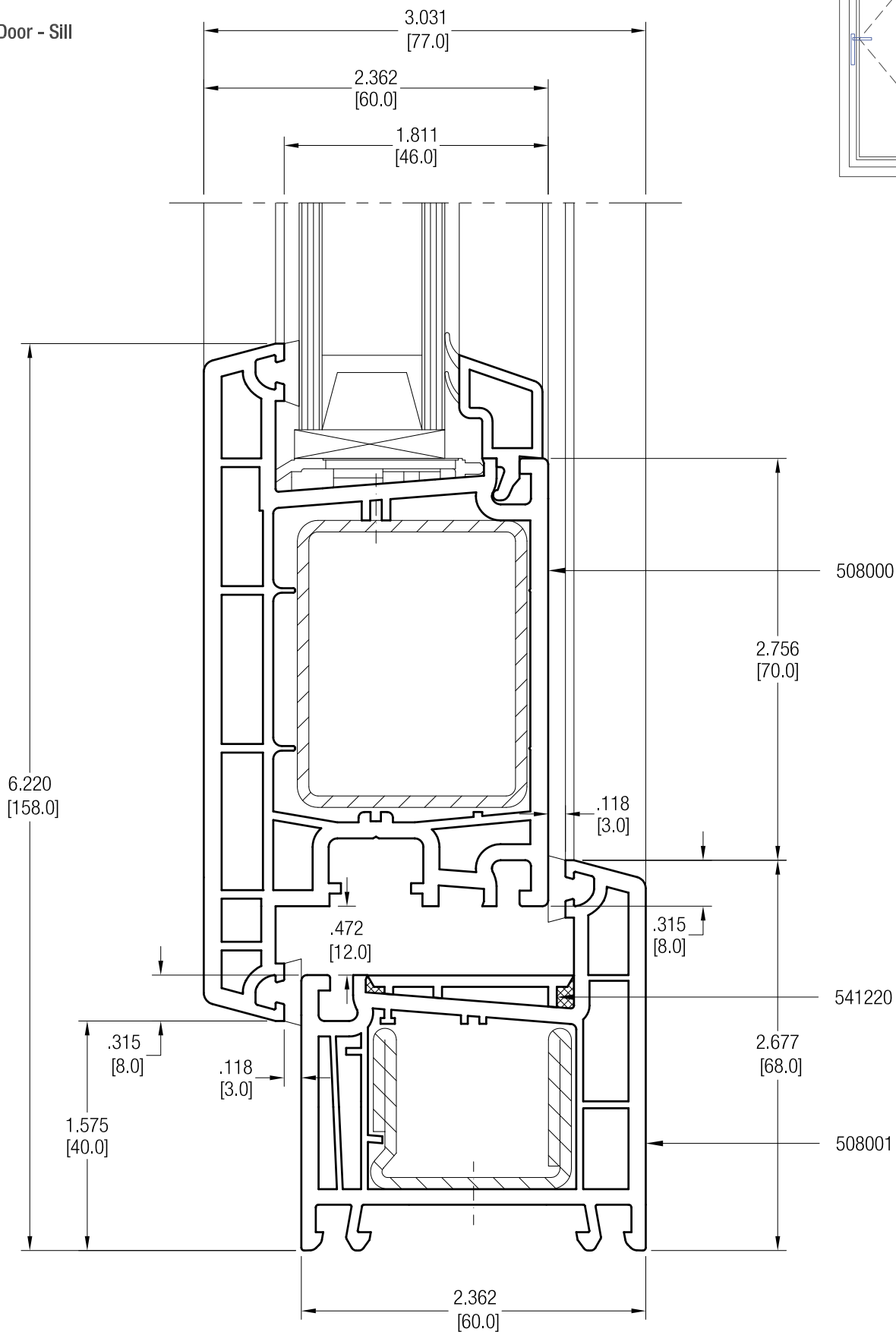
In-Swing Door - Sill



REHAU WINDOW SYSTEM 4500

DETAIL DRAWINGS

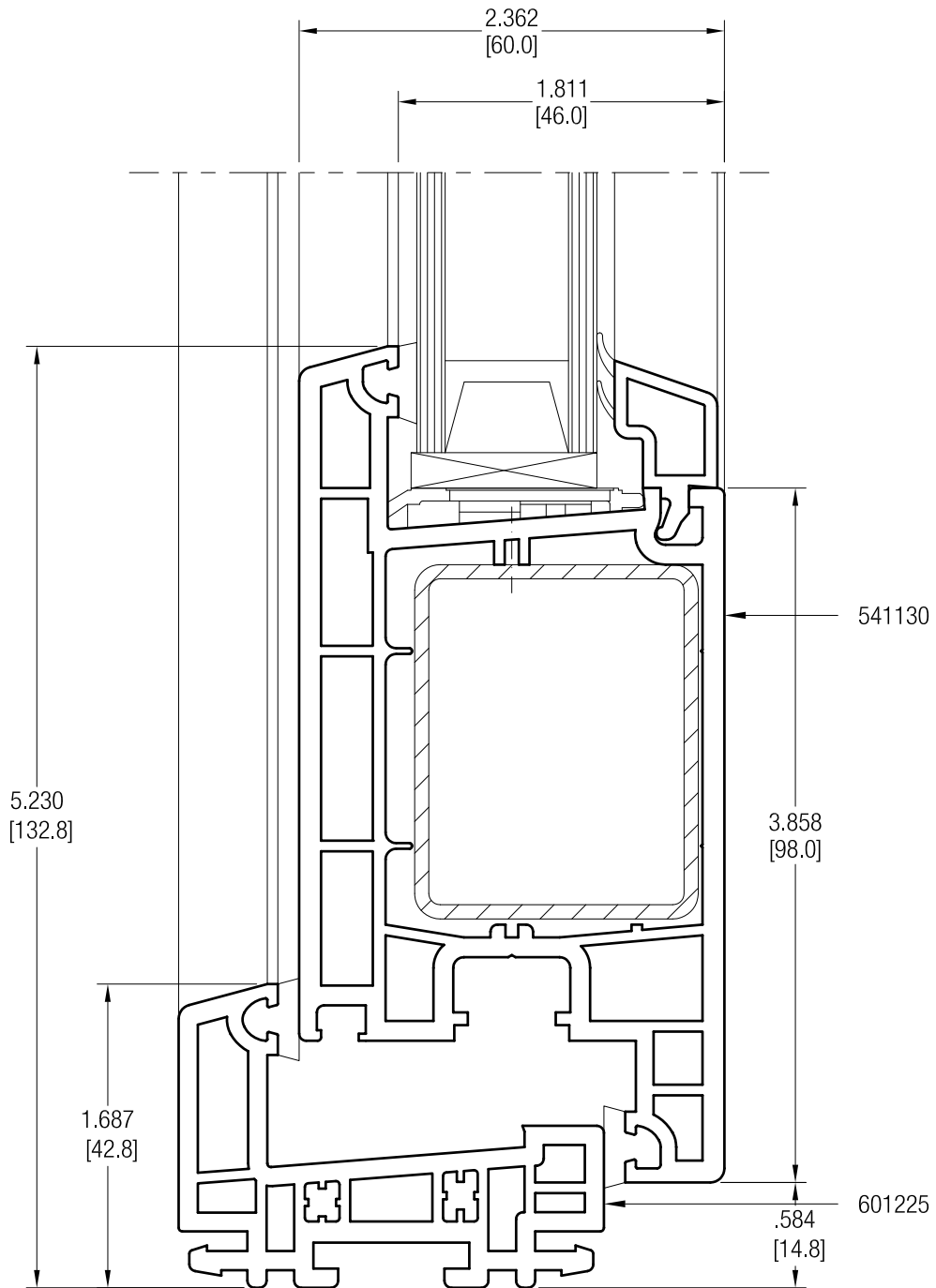
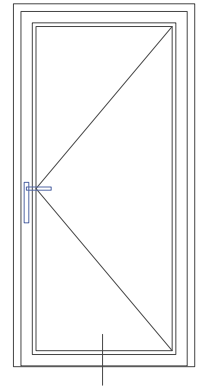
Out-Swing Door - Sill



REHAU WINDOW SYSTEM 4500

DETAIL DRAWINGS

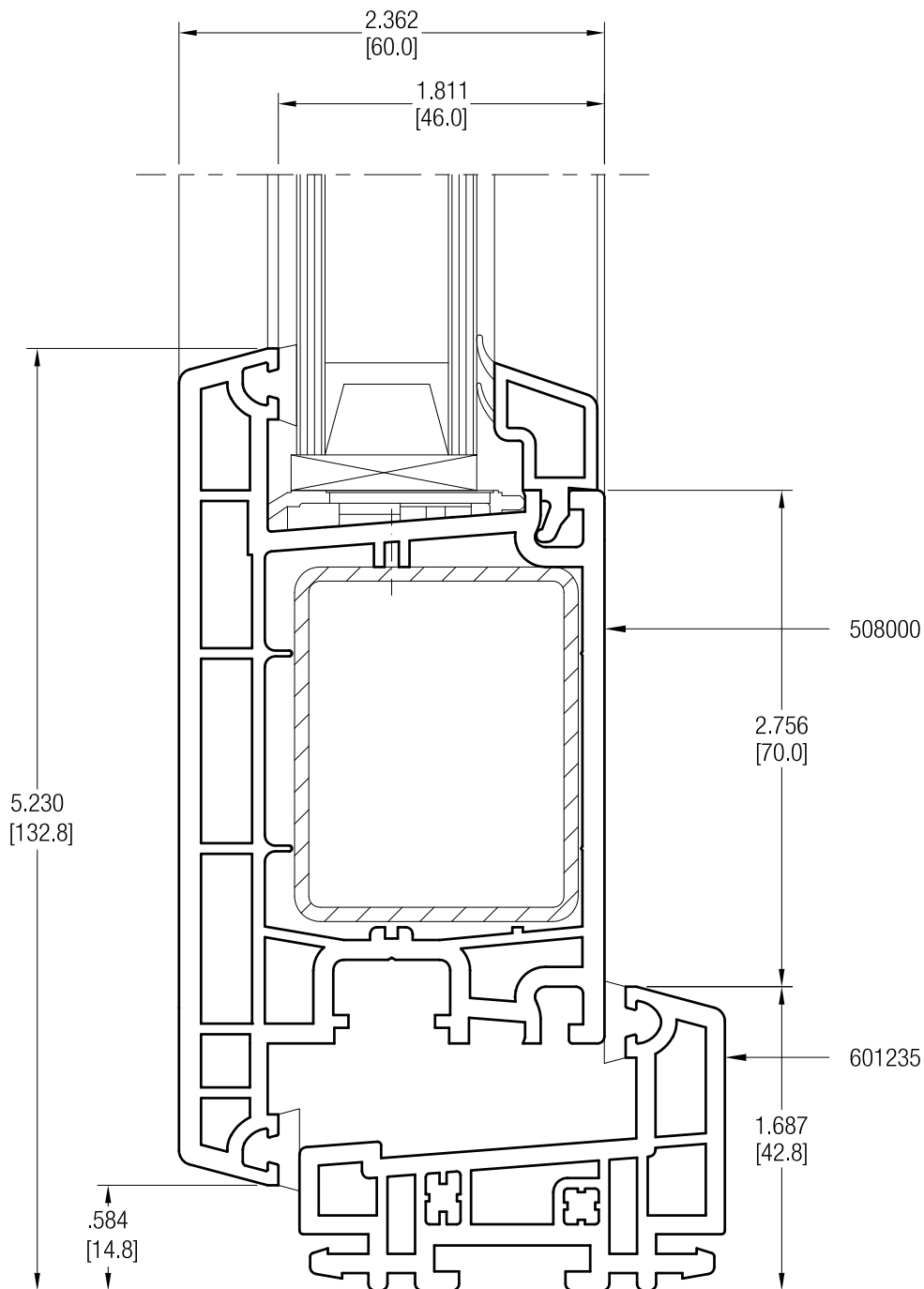
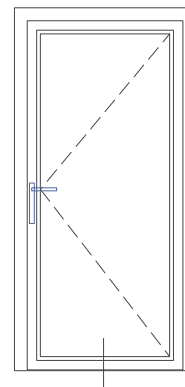
In-Swing Door - Sill



REHAU WINDOW SYSTEM 4500

DETAIL DRAWINGS

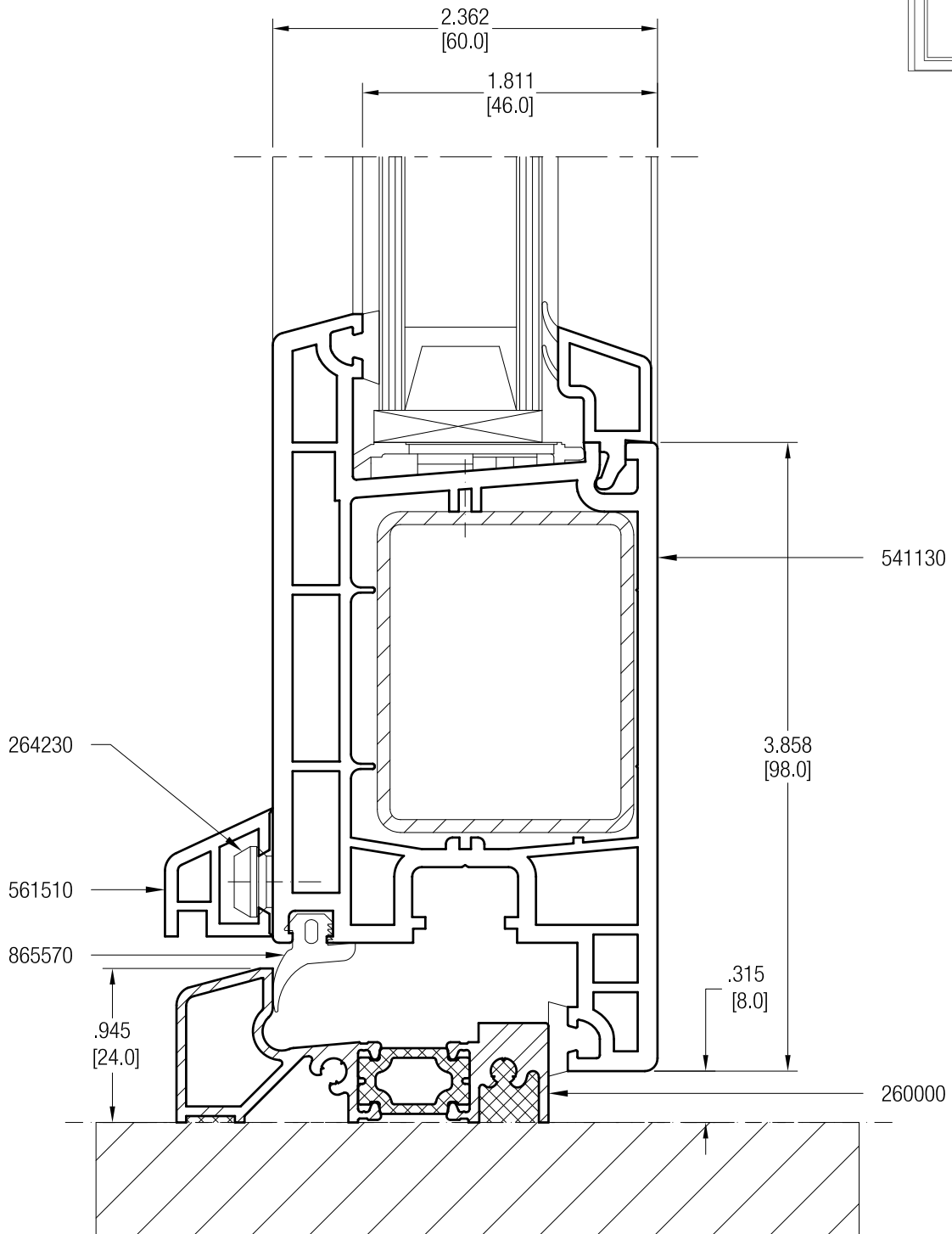
Out-Swing Door - Sill



REHAU WINDOW SYSTEM 4500

DETAIL DRAWINGS

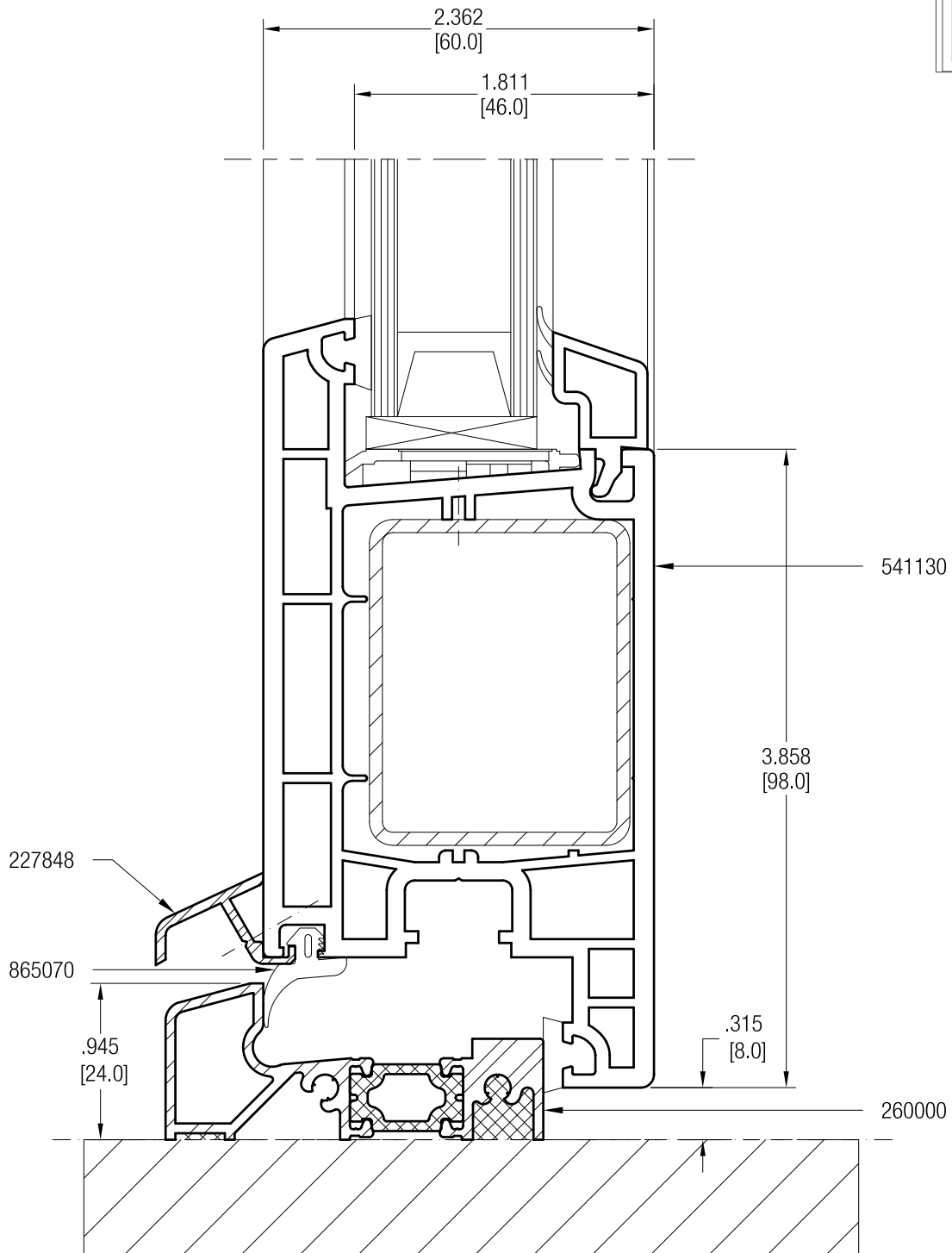
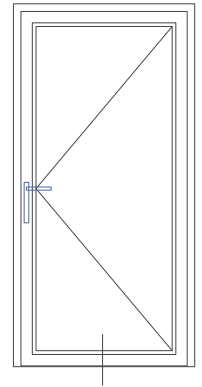
In-Swing Door - Threshold



REHAU WINDOW SYSTEM 4500

DETAIL DRAWINGS

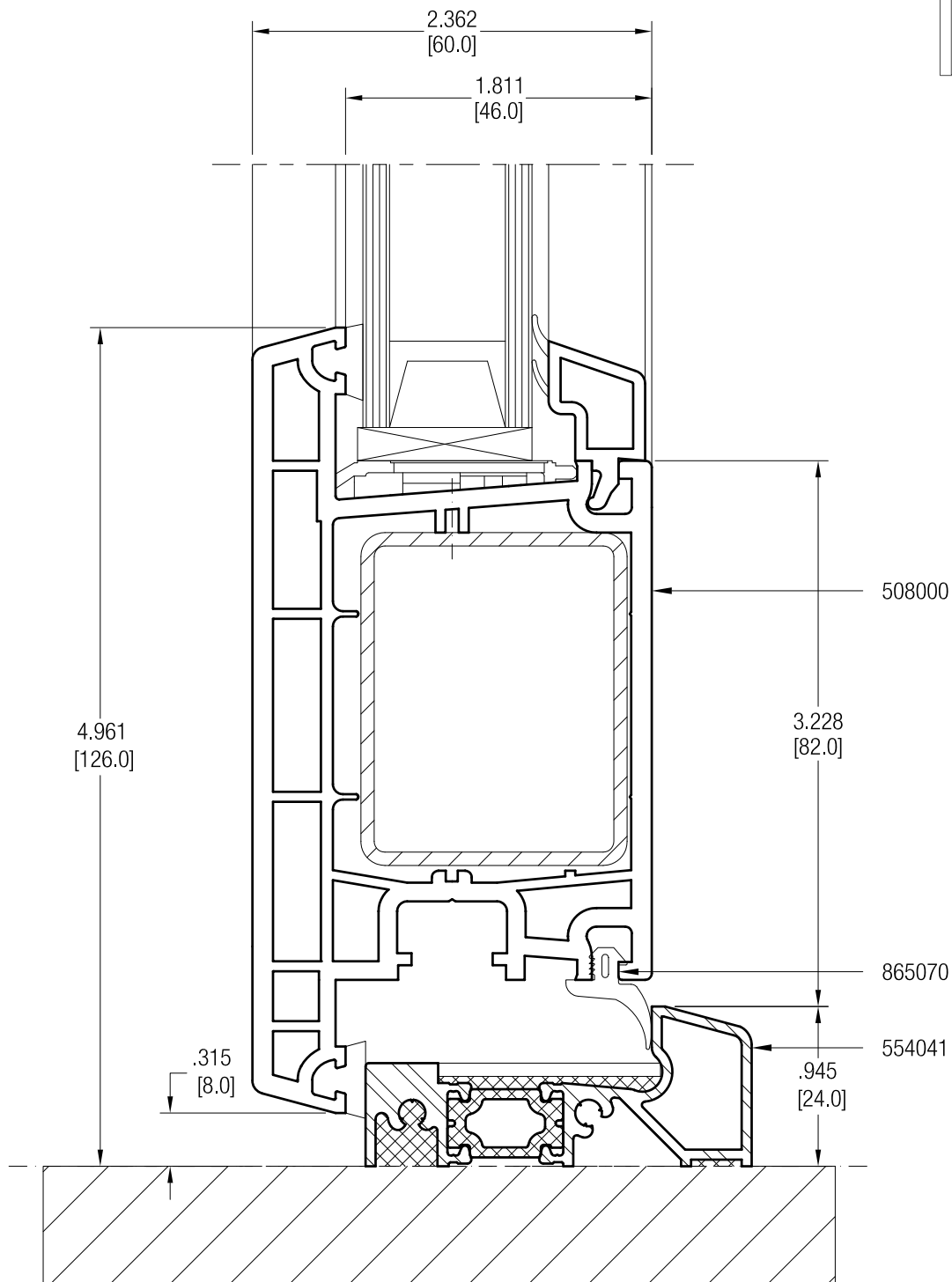
In-Swing Door - Threshold



REHAU WINDOW SYSTEM 4500

DETAIL DRAWINGS

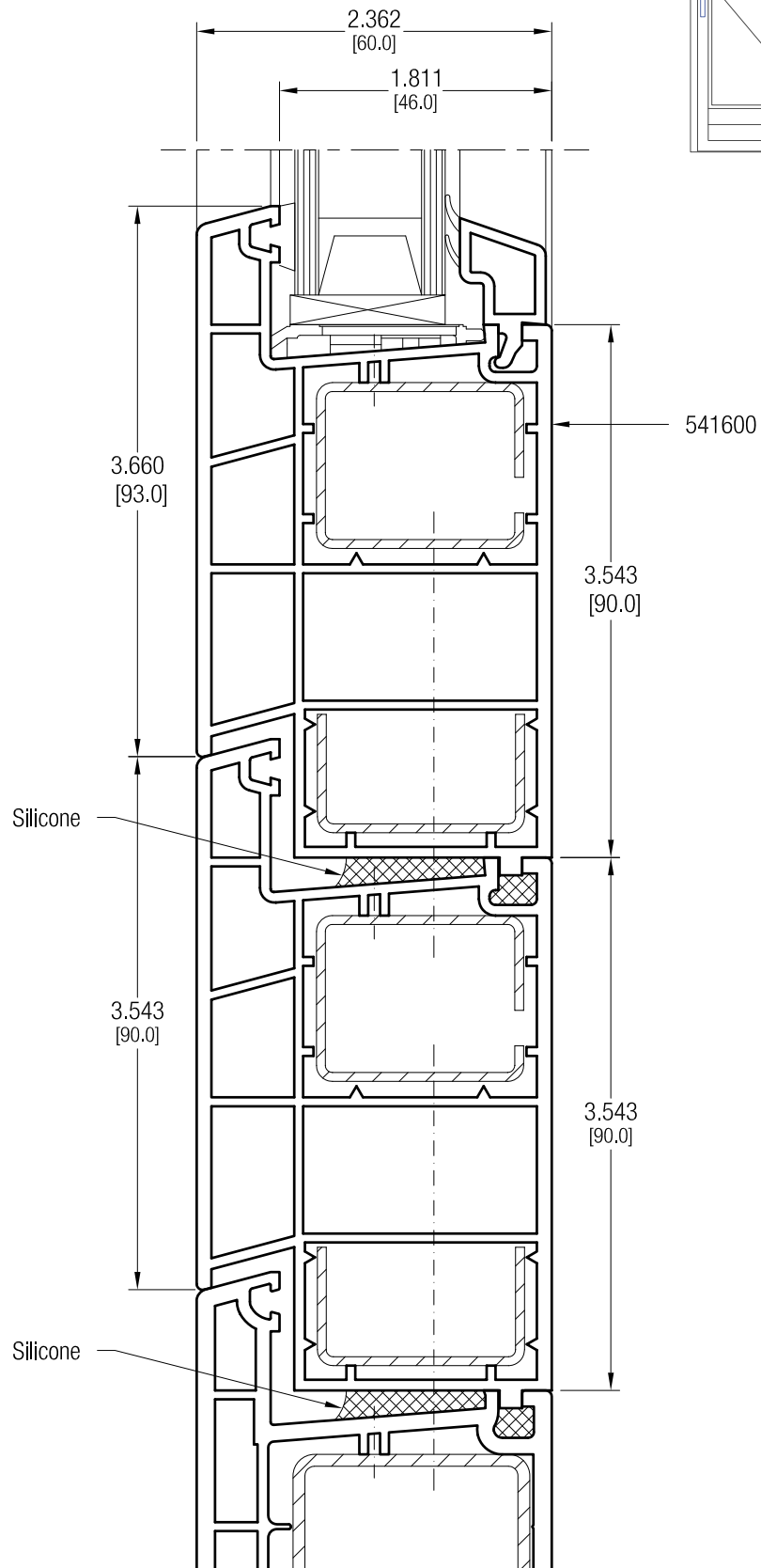
Out-Swing Door - Threshold



REHAU WINDOW SYSTEM 4500

DETAIL DRAWINGS

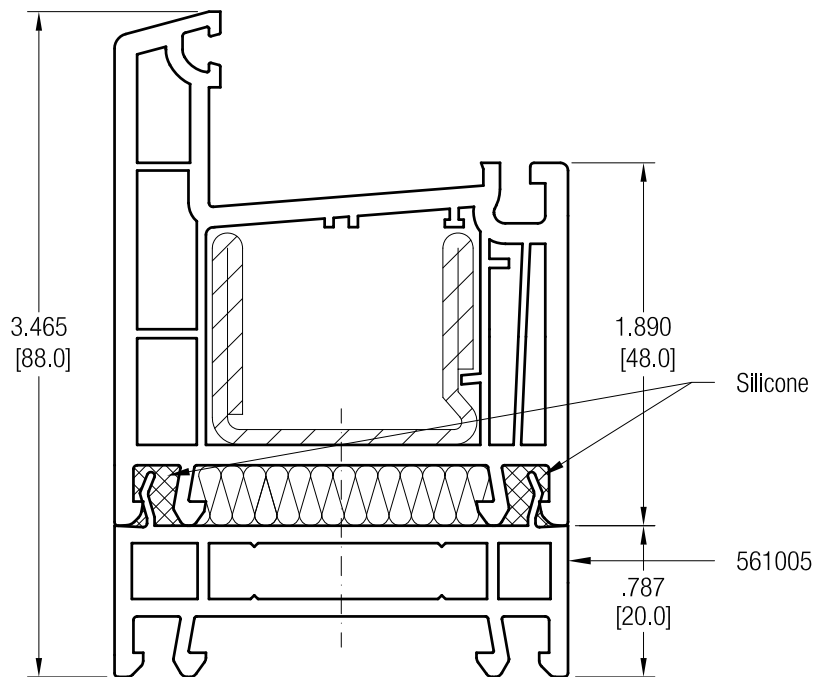
Door - Compensation Profile



REHAU WINDOW SYSTEM 4500

DETAIL DRAWINGS

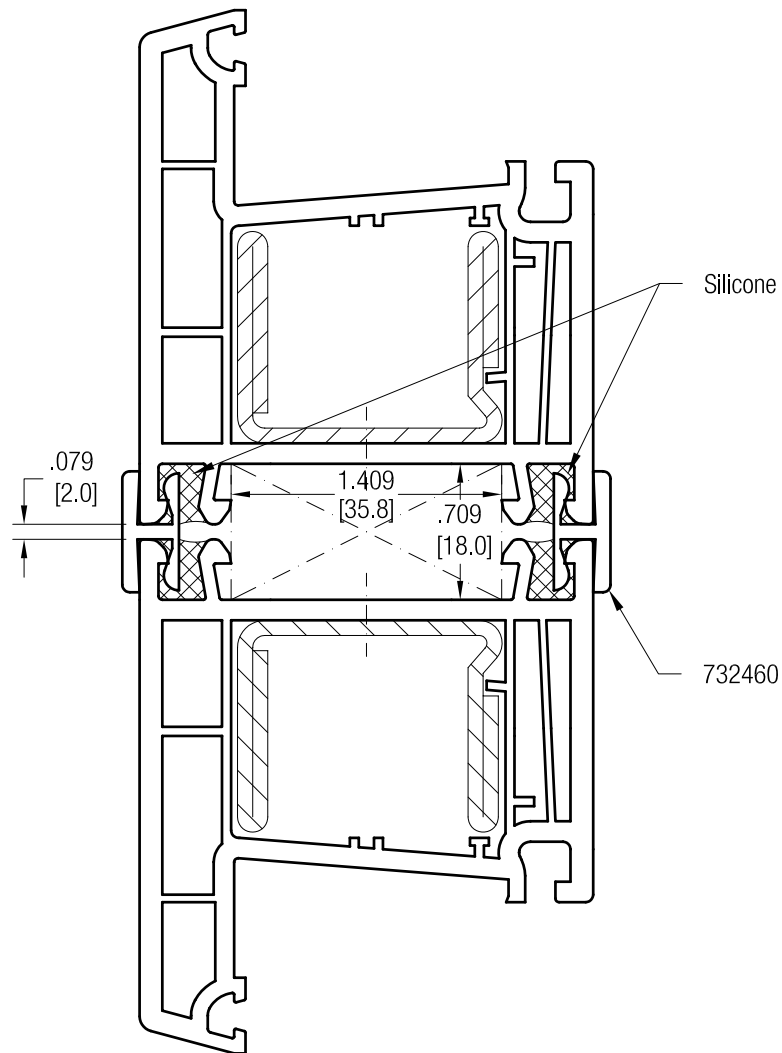
Frame Extension 20 mm Application



REHAU WINDOW SYSTEM 4500

DETAIL DRAWINGS

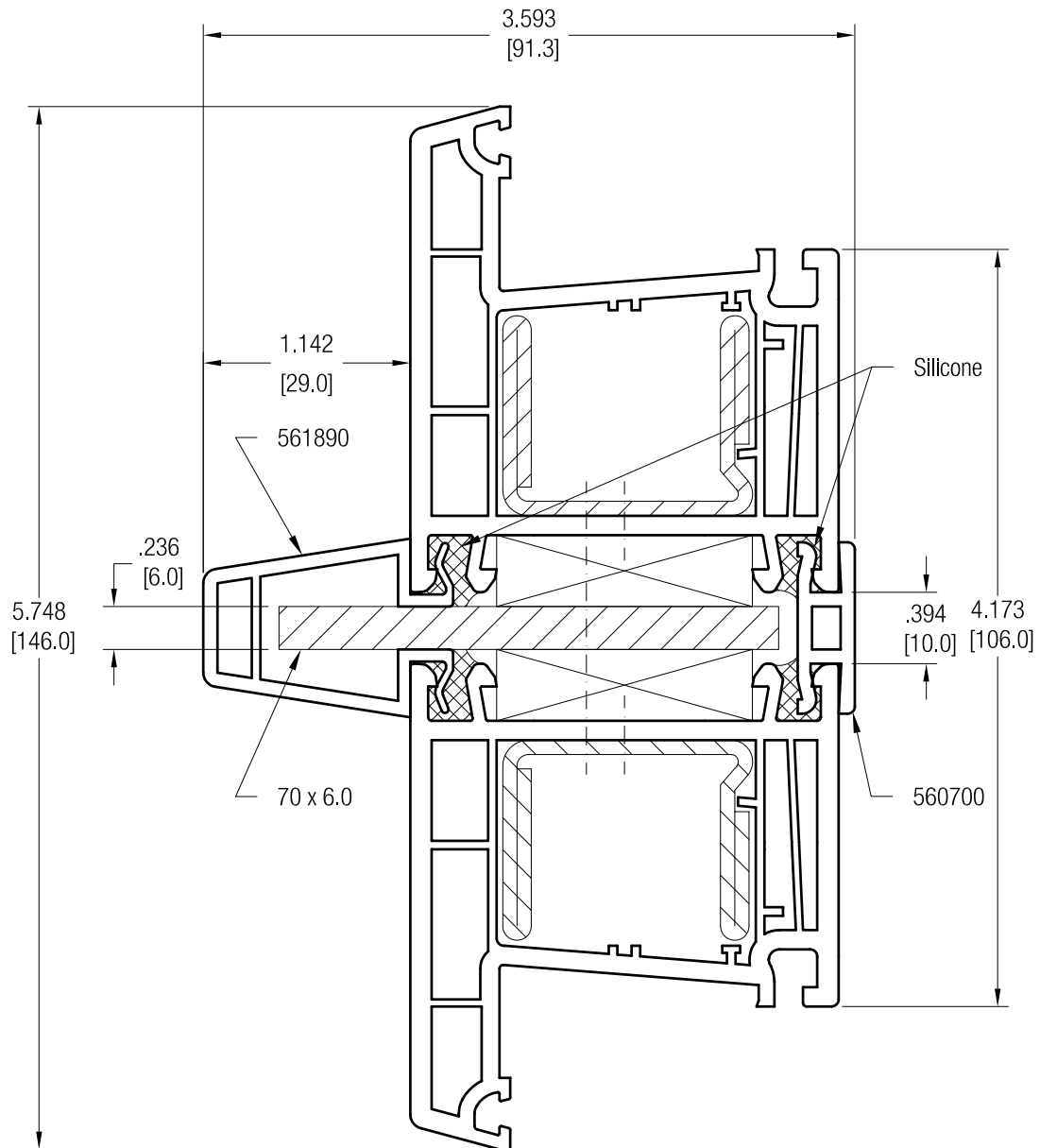
Coupling Profile / Flat Application



REHAU WINDOW SYSTEM 4500

DETAIL DRAWINGS

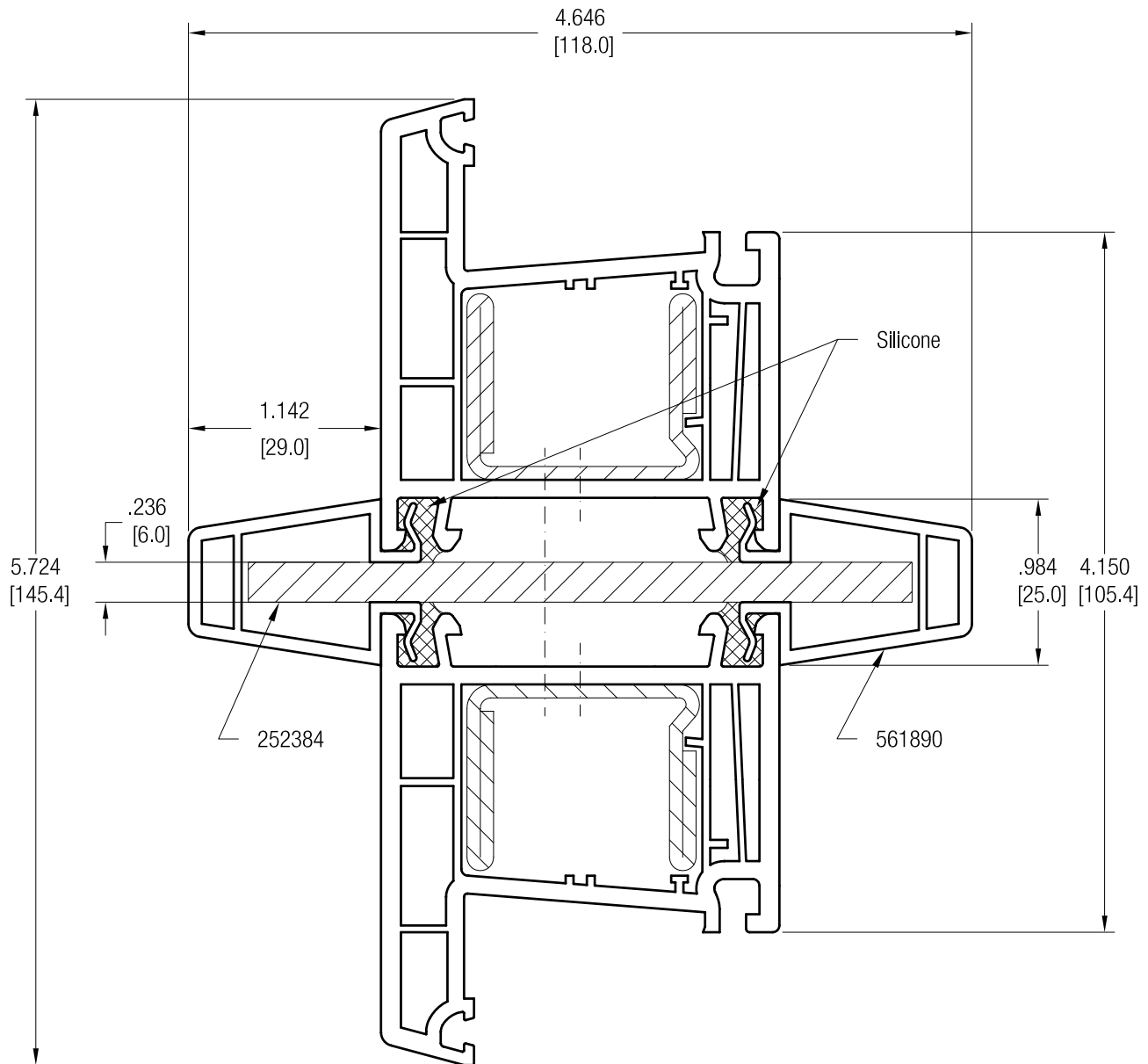
H-Connector / Chambered with Coupling Profile / Chambered Application



REHAU WINDOW SYSTEM 4500

DETAIL DRAWINGS

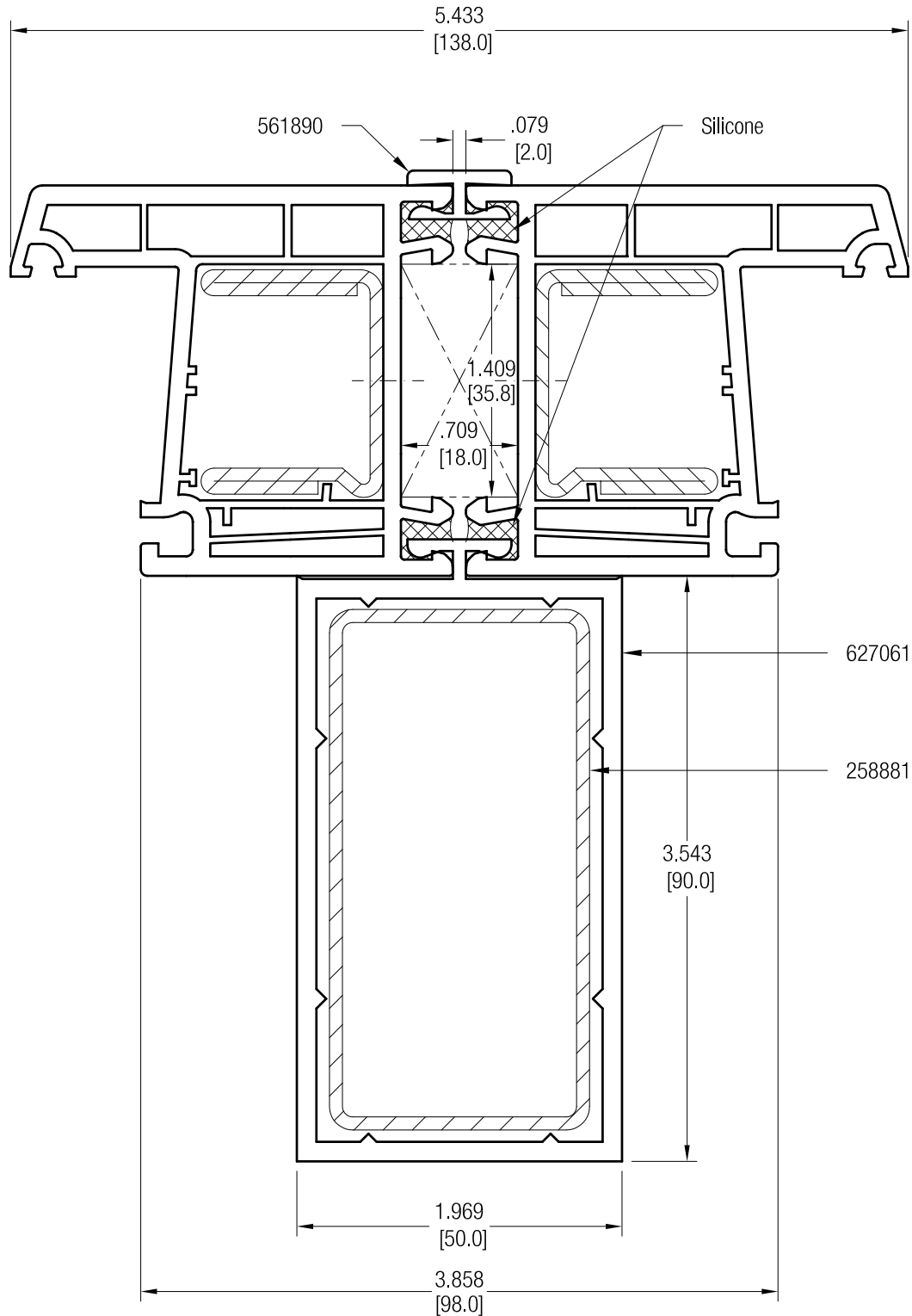
Coupling Profile / Chambered Application



REHAU WINDOW SYSTEM 4500

DETAIL DRAWINGS

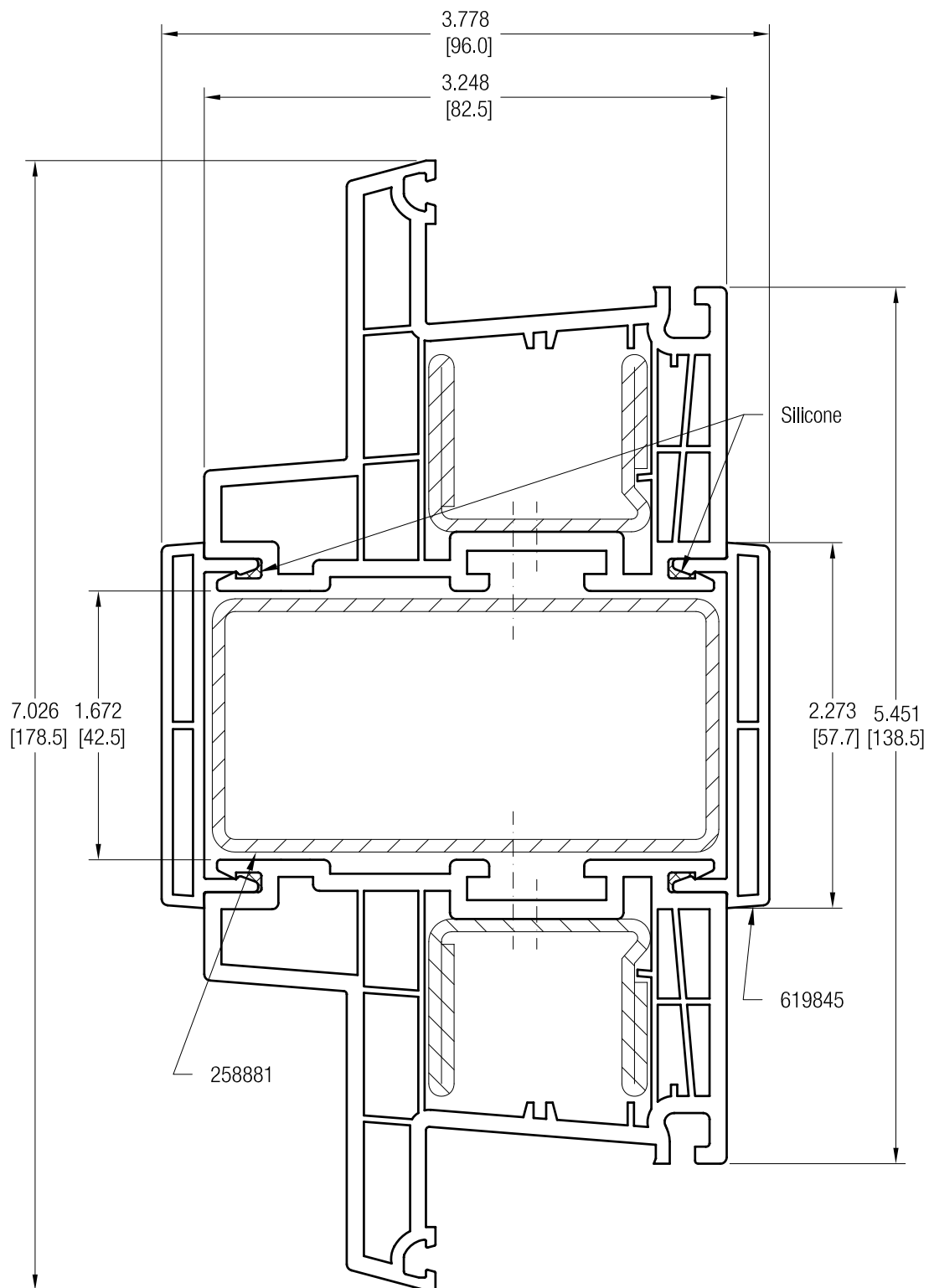
Reinforcement Profile 1 and Coupling Profile / Flat Application



REHAU WINDOW SYSTEM 4500

DETAIL DRAWINGS

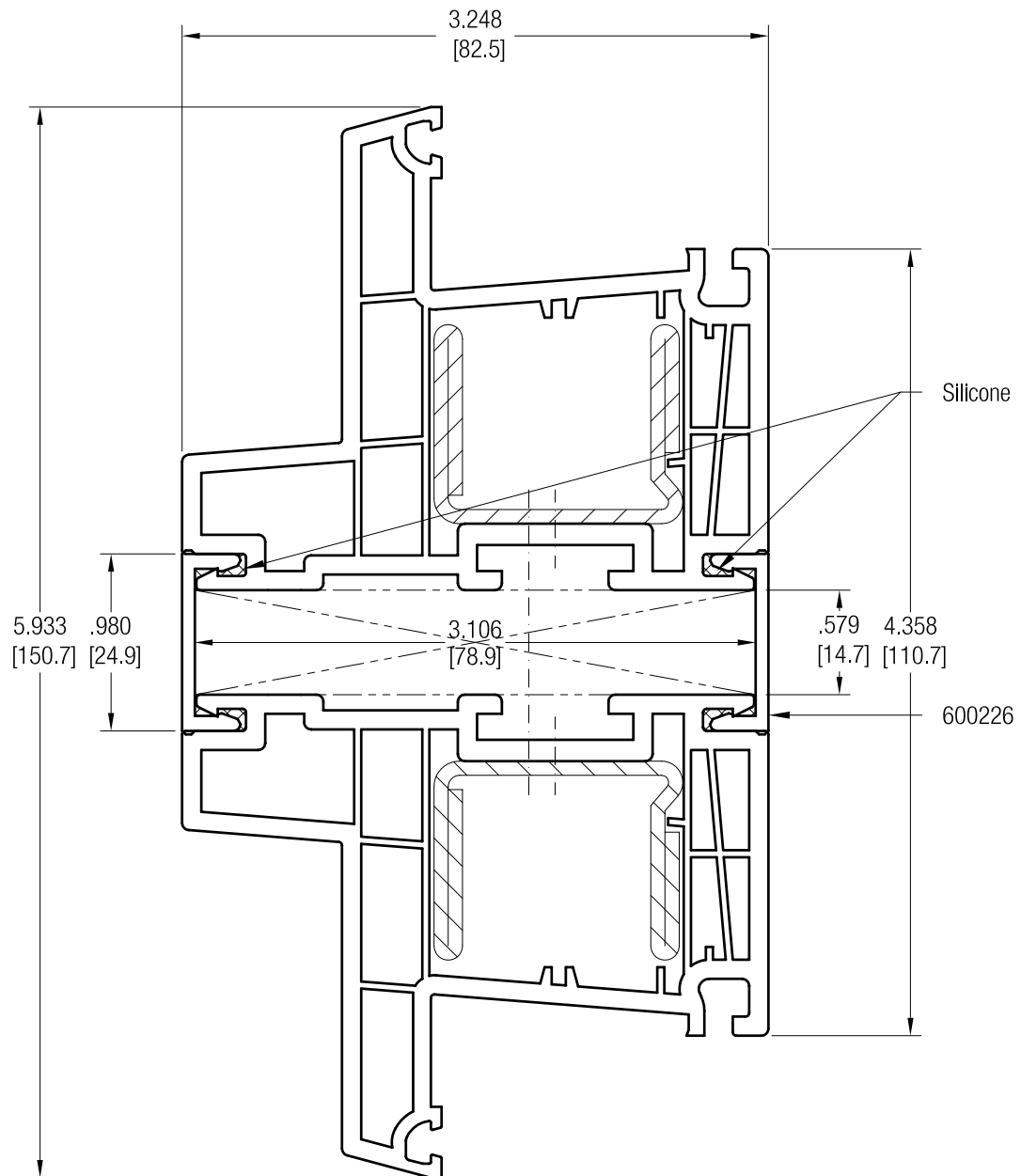
Chambered Mullion Cover Application



REHAU WINDOW SYSTEM 4500

DETAIL DRAWINGS

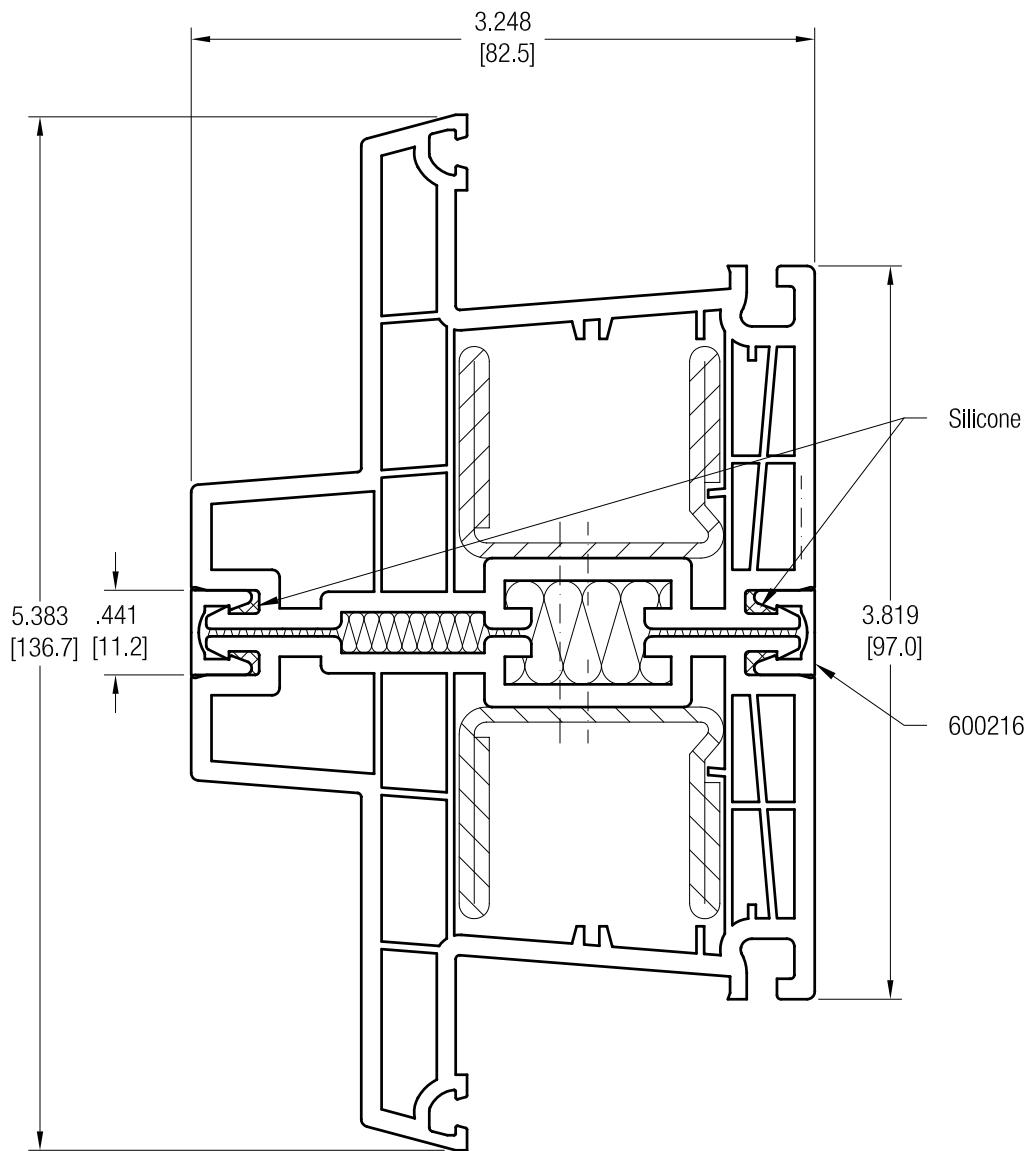
Wide Frame Connector Application



REHAU WINDOW SYSTEM 4500

DETAIL DRAWINGS

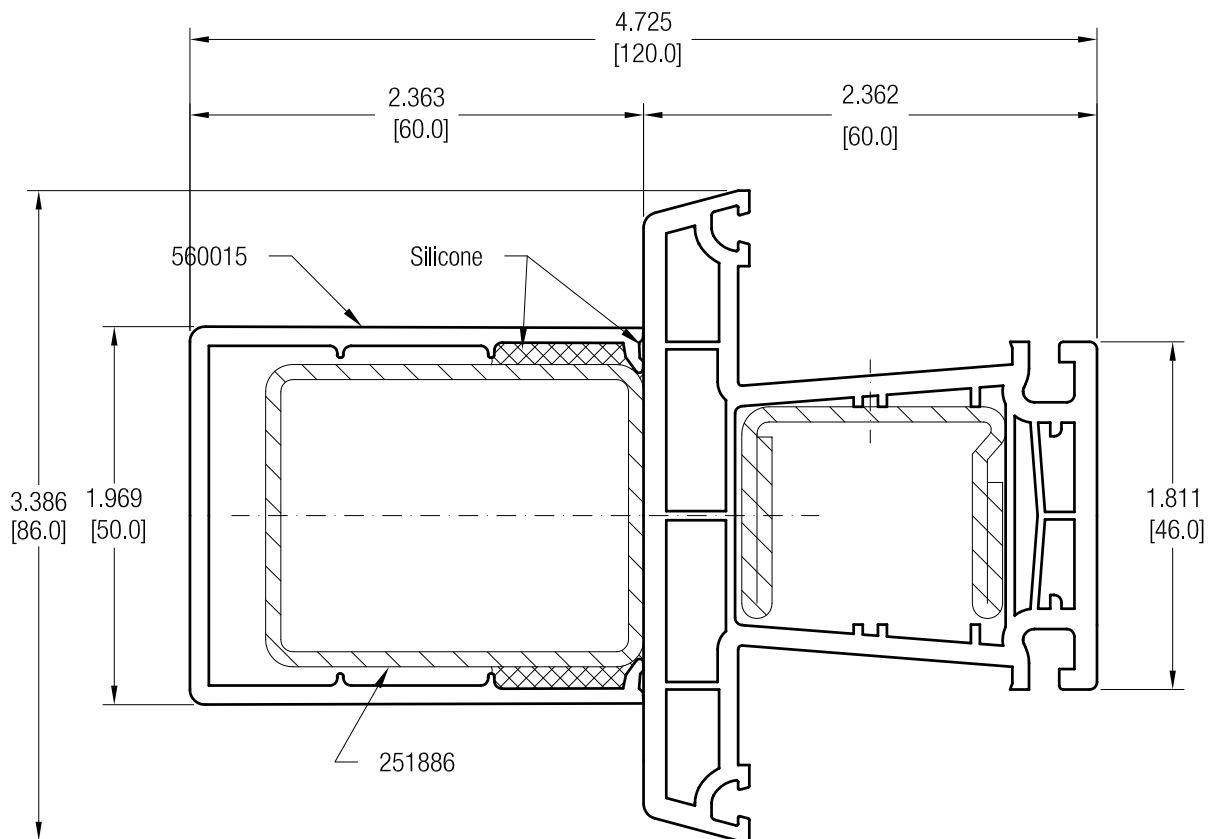
Flush Frame Connector Application



REHAU WINDOW SYSTEM 4500

DETAIL DRAWINGS

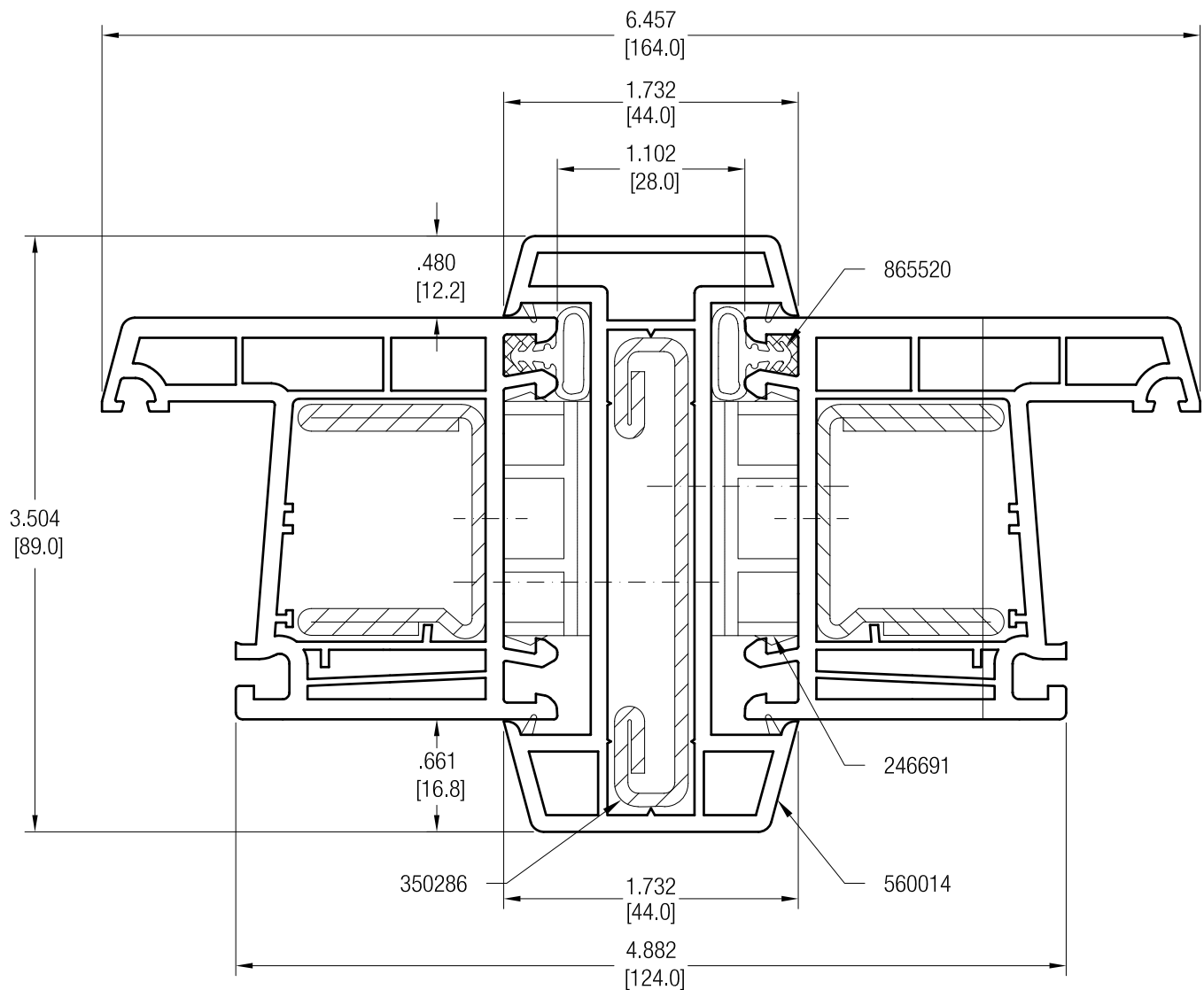
External Reinforcement Application



REHAU WINDOW SYSTEM 4500

DETAIL DRAWINGS

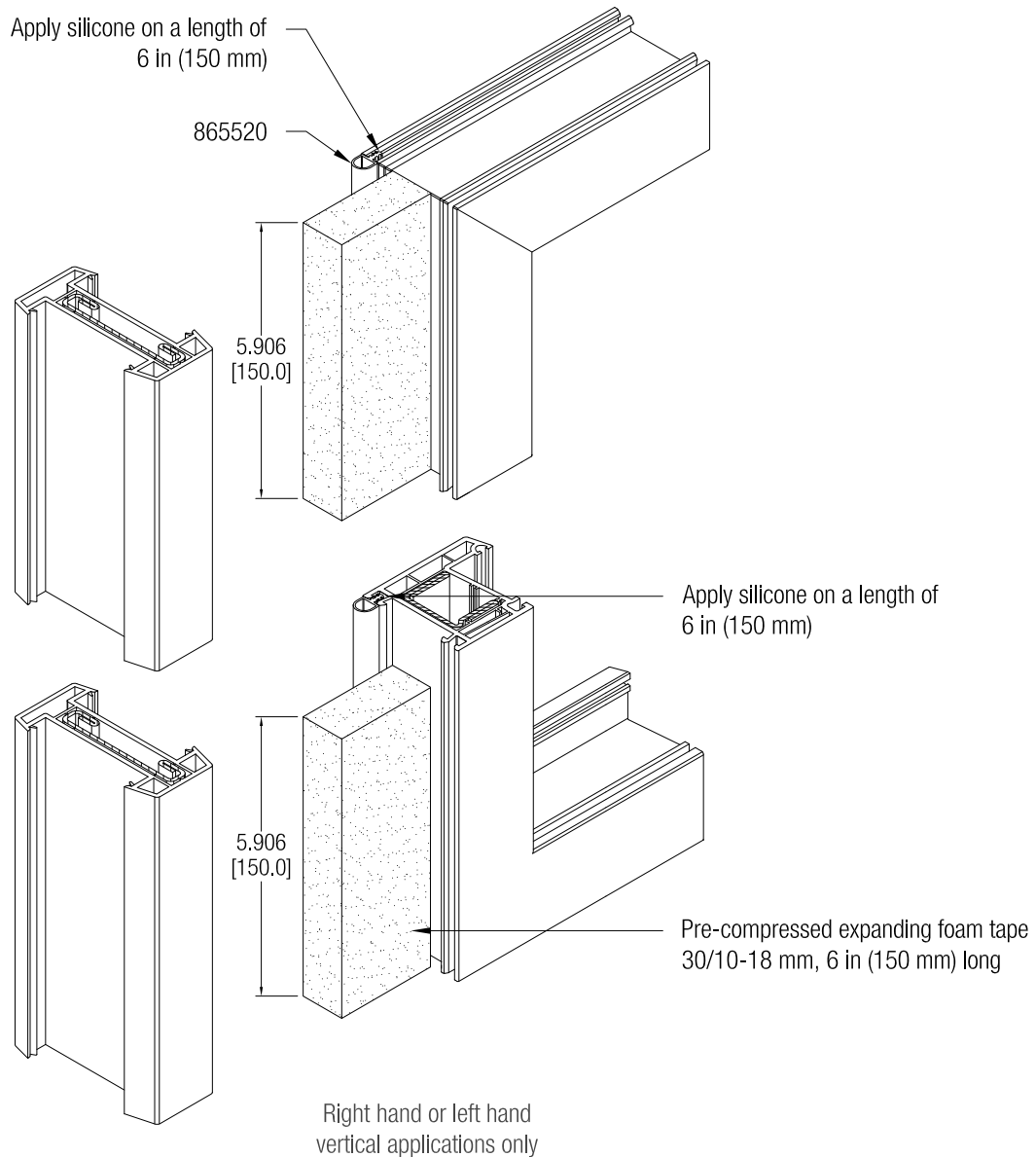
Expansion Joint Application w/ Distance Blocks and Seal for Expansion Joint



REHAU WINDOW SYSTEM 4500

DETAIL DRAWINGS

Expansion Joint Assembly

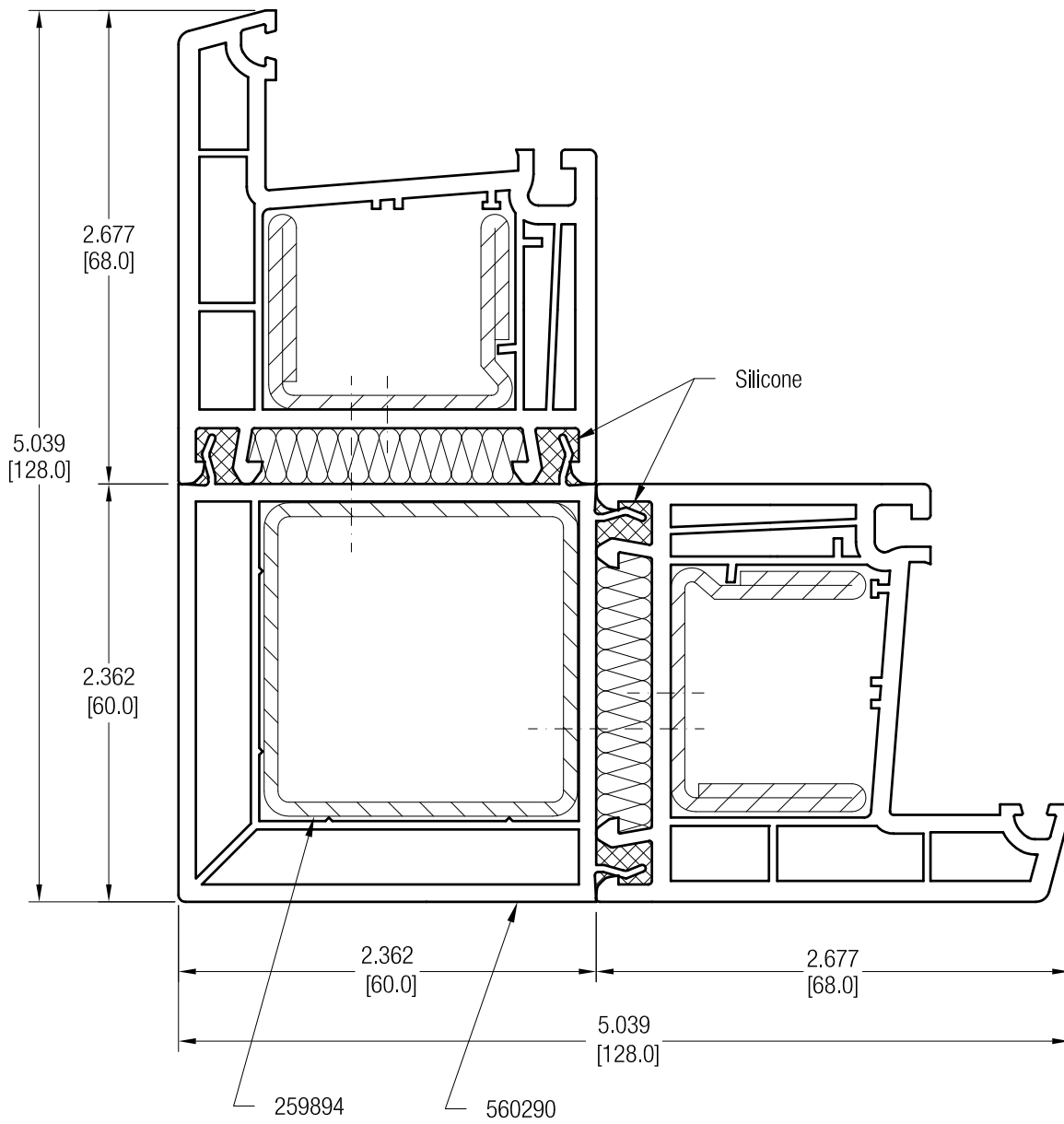


1. Insert seal for expansion joint (Art. 865520) between the external frame legs and glue with silicone sealant for 6 in (150 mm).
2. On the top and bottom of the unit, apply a pre-compressed expanding foam tape 1.18 in (30 mm wide) against the inner frame leg toward the outside, to seal against gaps which could occur.
3. Clip-in the distance blocks (Art. 246692) where the screw connections will be placed (i.e. every 20 in [500 mm] starting 6 to 8 in [15 to 20 cm] away from the frame inner corner).
4. Attach the unit to the building structure in the window plane with steel installation bracket 1 (Art. 246545) or in front of the window plane with steel installation bracket 2 (Art. 246535).

REHAU WINDOW SYSTEM 4500

DETAIL DRAWINGS

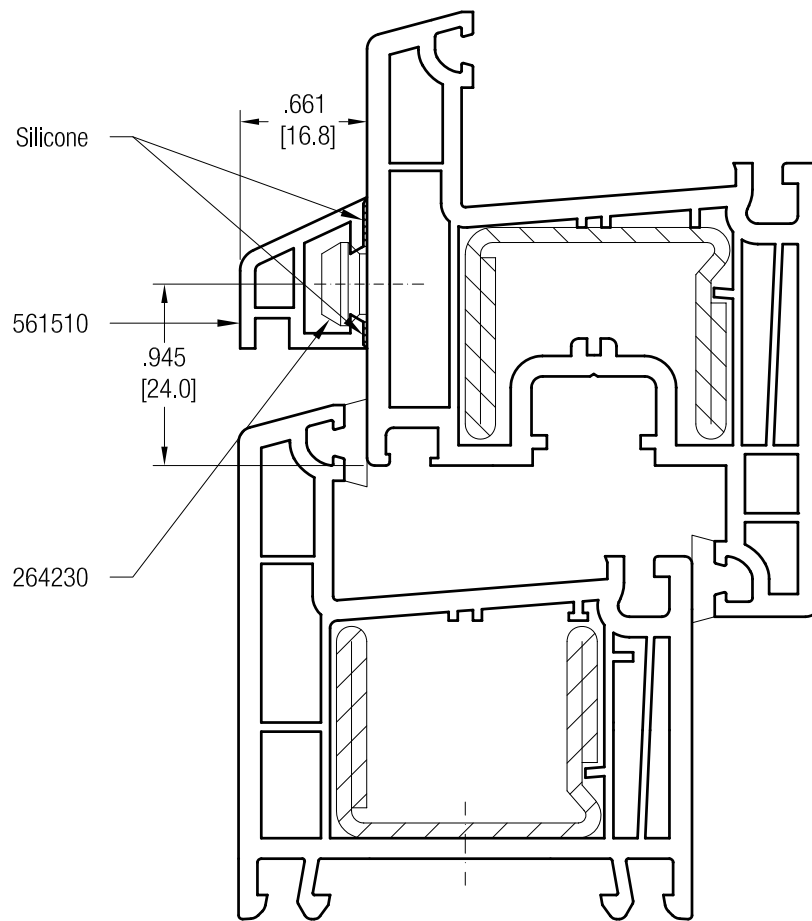
Corner Post Application



REHAU WINDOW SYSTEM 4500

DETAIL DRAWINGS

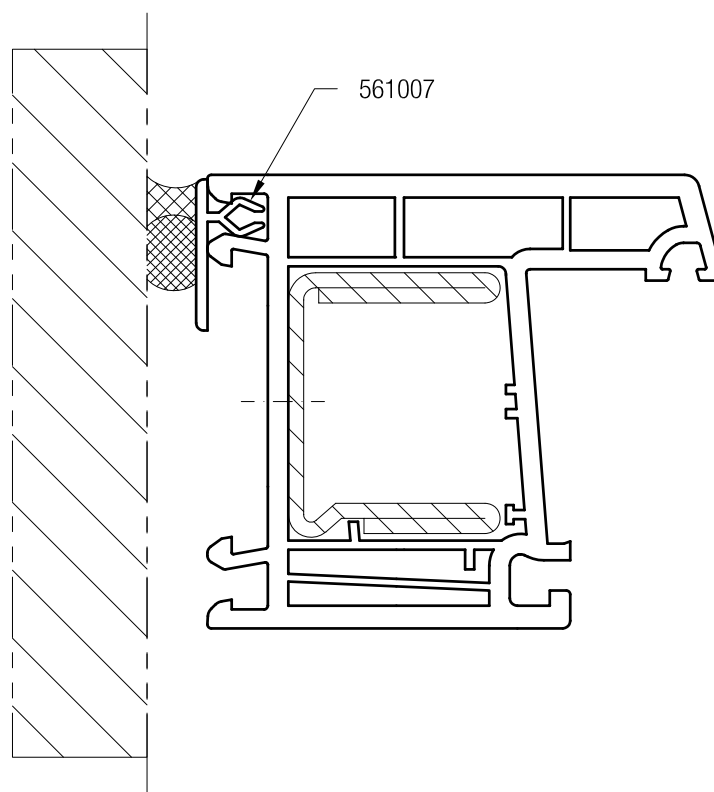
Drip Rail Application



REHAU WINDOW SYSTEM 4500

DETAIL DRAWINGS

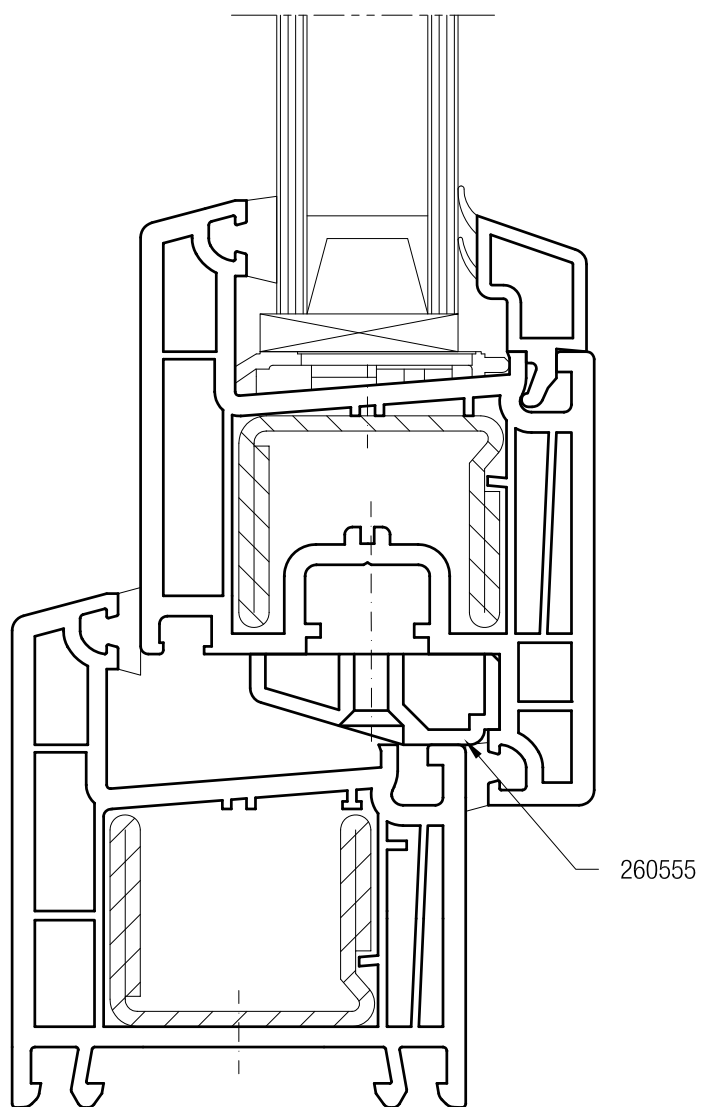
Sealing Support Application



REHAU WINDOW SYSTEM 4500

DETAIL DRAWINGS

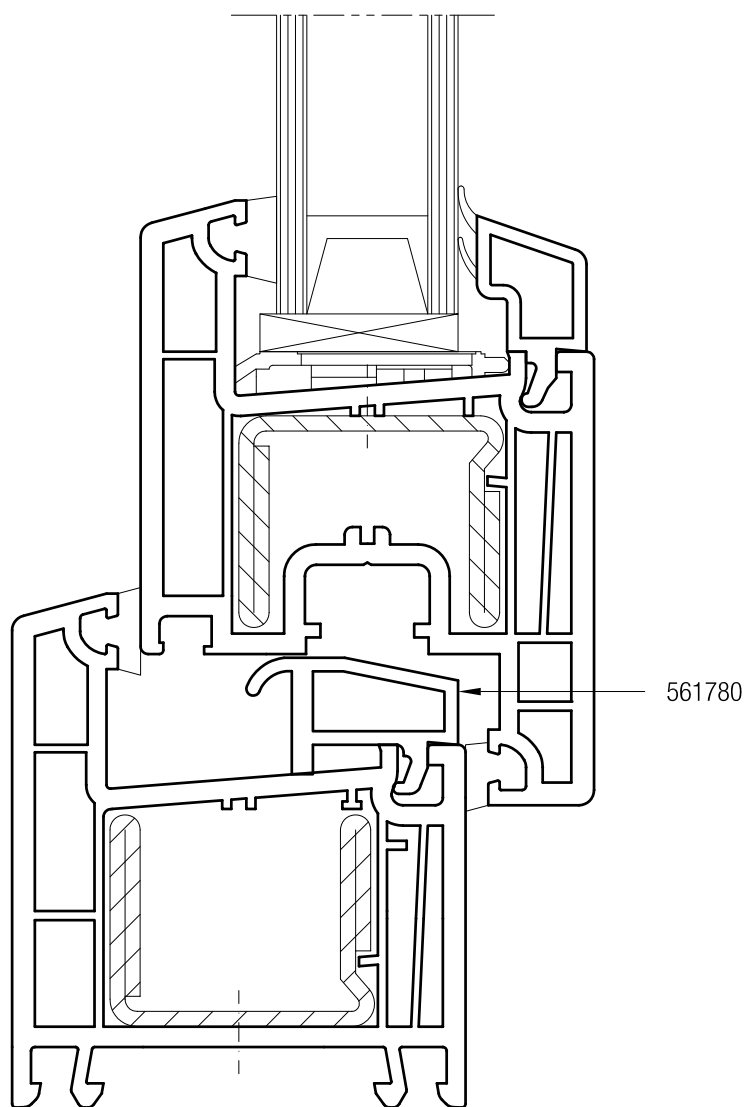
Sash Ramp Application



REHAU WINDOW SYSTEM 4500

DETAIL DRAWINGS

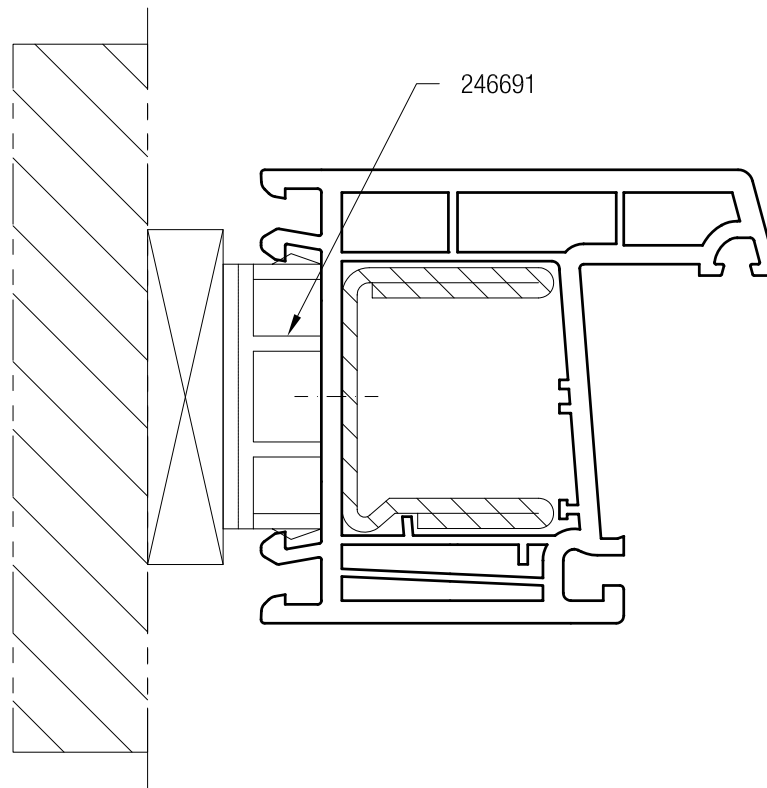
Transport Setting Block Application



REHAU WINDOW SYSTEM 4500

DETAIL DRAWINGS

Distance Block Application



The information contained herein is believed to be reliable, but no representations, guarantees or warranties of any kind are made as to its accuracy, suitability for particular applications or the results to be obtained therefrom. Before using, the user will determine suitability of the information for user's intended use and shall assume all risk and liability in connection therewith.

© 2016 REHAU