



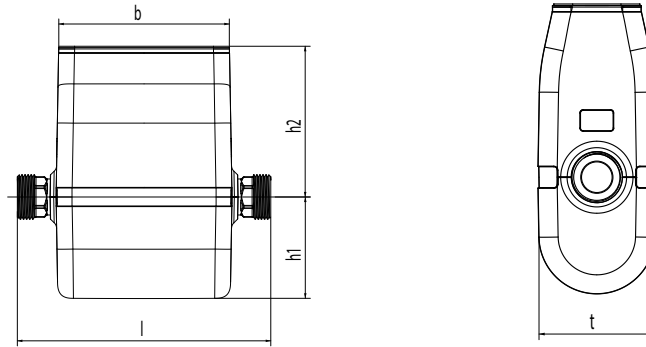
**Engineering progress
Enhancing lives**

RE.GUARD water control

Technical data sheet
Material number 14573031001



Dimensions



Length of casing (excluding thread connections)	b	141 mm
Total length of device (including thread connections)	l	190 mm
Vertical distance bottom to center of connections	h1	76 mm
Vertical distance top to center of connections	h2	113 mm
Total height	h1 + h2	189 mm
Width	t	77 mm

Product features

Dimensions and connections

Nominal diameter	DN 20
Screw connections	G1" external thread as per ISO 228 (flat-sealing)
Spanner size	SW27

Materials

Base body	Lead-free gunmetal as per DIN specification 2701
Casing	Acrylonitrile styrene acrylate copolymer (ASA)
Control panel	Plexiglas (PMMA – polymethyl methacrylate)

Flow rate/pressure loss (with built-in ball valve and sensors)

Nominal flow rate	2.5 m ³ /h
Pressure loss at nominal flow rate	10.5 kPa (105 mbar)
Maximum flow rate	5.0 m ³ /h
Pressure loss at maximum flow rate	36.0 kPa (360 mbar)
Flow rate coefficient	C _v 8.3 m ³ /h

Nominal pressure level

Nominal pressure level	PN 16
------------------------	-------

Maximum operating pressure

Maximum operating pressure	1 MPa (10 bar)
----------------------------	----------------

Operating temperatures

Drinking water temperature in use	5 °C–25 °C
Ambient temperature	5 °C–40 °C
Short-term in exceptional case	0 °C–50 °C (frost-free)

Noise characteristics incl. ball and sensors

Noise characteristics incl. ball and sensors	Fitting class I as per DIN EN 13828
--	-------------------------------------

Electrical data

Electrical supply	110–230 V/50–60 Hz
Mains adapter voltage	12 V=
Power consumption (when actuated)	10 W
Protection rating	IP 44
Protection class	Water control device III/Mains adapter II
Length of electrical lead	Approx. 1.2 m
Emergency power supply batteries ¹⁾	4 x AA

Weight (without mains adapter)

Weight (without mains adapter)	1545 g
--------------------------------	--------

Wireless protocol/radio frequency

Wireless protocol/radio frequency	Z-wave [®] Plus/868.42 MHz
-----------------------------------	-------------------------------------

Approval

Approval	compliant with DIN 3553 (issue 03-2019)
----------	---

¹⁾ not included in the delivery contents

Our verbal and written advice with regard to usage is based on years of experience and standardised assumptions and is provided to the best of our knowledge. The intended use of REHAU products is described comprehensively in the technical product information. The latest version can be viewed at www.rehau.com/TL. We have no control over the application, use or processing of the products. Responsibility for these activities therefore remains entirely with the respective user/processor. Where claims for liability nonetheless arise, they shall be governed exclusively according to our terms and conditions, available at www.rehau.com/conditions, insofar as nothing else has been agreed upon with REHAU in writing. This shall also apply for all warranty claims, with the warranty applying to the consistent quality of our products in accordance with our specifications. Subject to technical changes.