



HUNG-SLIDER WINDOW DESIGNS

REHAU SYSTEM 700

THE RE-ENGINEERED REHAU SYSTEM 700

A HIGHER-PERFORMING WINDOW WITH NEW OPTIONS FOR
STYLE AND VERSATILITY



A lot has changed in the window market over the last decade. More stringent energy and building codes coupled with increasing expectations about what windows can – and must – deliver, have changed the game.

Re-engineered to Meet the Highest Performance Standards

With more than 25 years of proven experience, an original REHAU window design has emerged anew with new configurations, added glazing options and the latest evolutions in thermal and structural technology.

The result is a greater experience; not just for the home or building owner but for every step of the supply chain, as well.

[Meet the re-engineered System 700.](#)

REHAU SYSTEM 700

VERSATILE ENOUGH TO ACCOMMODATE UPSCALE
RESIDENTIAL AND LIGHT COMMERCIAL APPLICATIONS

Achieve R-5 thermal performance ratings
with a stylish, versatile window system.



While many make the claim, only a few window systems are designed to truly go beyond the standard performance requirements in both commercial and residential environments while offering distinct fenestration solutions for each. The System 700 does.

Stronger Transom for Larger Sizes

Increased structural capacity and strength at meeting rails provide a more stable interlock for larger sizes.

More Versatility for Hardware

A design that can work with many different locking/tilting and balancing hardware options satisfies a greater variety of preferences and custom looks.

A Wider Range of Styles

Utilizing common internal and external sash platforms coupled with sloped and pocket sill options, the System 700 offers multiple styles.

- Single-hung
- Double-hung
- Single-slider
- Double-slider
- Fixed

REHAU SYSTEM 700

INTERNAL AND EXTERNAL GLAZING OPTIONS



Glazing stop on the exterior provides an aesthetic solution for the interior lines of the sash.



Double-hung window with an externally glazed sash and a welded slope sill.






Single-hung window with an internally glazed sash and a pocket sill.

Types	Fixed, Single-Hung, Single-Slider, Double-Hung, Double-Slider
Material	Cadmium and lead-free RAU-PVC
Sealing System	Weatherpile, roll-in glazing spline, flexible co-extrusions
System Depth	3 1/4 in (82.5 mm)
Max. Glass Thickness	1 in (25.4 mm)
Sightlines Frame / Sash	2.2 in (56 mm) up to 3.4 in (86 mm)
Colors	White, beige and clay
U-values	Down to 0.16*
STC	Up to 37 dB
Structural Tests	Single-hung: R-PG70
	Single-slider: R-PG55
	Double-hung: R-PG65
	Double-slider: R-PG60
	Fixed: CW-G70

* based on simulation

Testing on our window and door systems is ongoing. Contact your REHAU representative for the latest results.

Available Colors

	White
	Beige
	Clay

Ask about solid color and wood-grain foil options.

Features and Benefits

	Internal Glazing	External Glazing
1 Large capacity for reinforcements meets performance requirements for impact resistance in commercial applications		•
2 Steel reinforcements and foam inserts for main profiles boost thermal and structural performance	•	•
3 7/8 in (22 mm) and 1 in (25 mm) glazing options provide excellent acoustical and energy performance properties	•	•
4 Main profiles engineered with multiple chambers increase strength and energy performance while allowing efficient water drainage	•	•
5 3 1/4 in (83 mm) frame depth with internal/external accessory grooves suits a wide range of installation applications by using supplemental profiles for trims, mulling options and unique wall construction	•	•
6 Internal fixed lite on single-hung and single-slider windows enables easy glass replacement from inside the structure	•	•
7 Dry glazing reduces costs and eases glass replacement by not requiring tapes or sealants	•	
8 Welded sloped sill option on single- and double-hung windows allows for efficient water run-off and easy cleaning	•	•
9 Glazing stop located on the exterior offers a smooth sash surface – a “cleaner” look for the inside of the window		•

INNOVATIVE INSERT OPTIONS

TO SUIT EVERY PERFORMANCE REQUIREMENT



The multi-chambered design of the System 700 accommodates a variety of inserts that slide easily into the profile chambers, allowing the flexibility to create a window with structural integrity and thermal insulation values up to R-5.

These steel and foam inserts work alone or together. In combination with the added option for external glazing, you can create uPVC hung-slider windows capable of meeting the highest residential and light commercial ratings.



Insulating Foam

Boost the thermal performance and condensation resistance of a basic profile by adding this insulating foam material.



Steel Reinforcement

Build a profile with increased structural capacity and better interlock stability. Custom steel reinforcement shapes are available for increased maximum size potential.

Performance Summary¹

NAFS: up to Class R-PG60

ASTM E90 Acoustical (STC): up to 37 dB

U-factor down to 0.16*

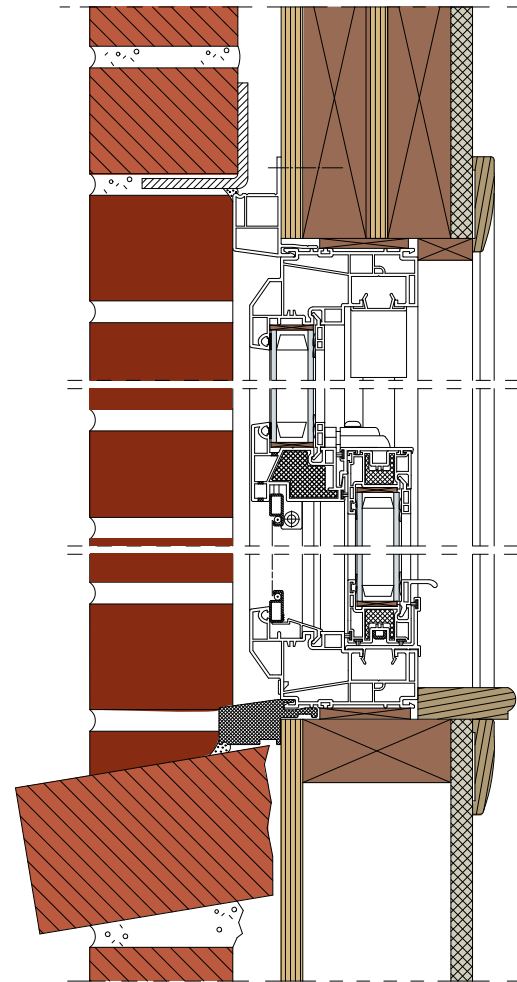
ASTM + TAS: Impact Resistant DP-60 (HVHZ)

¹ Testing is ongoing; contact your REHAU sales representative for the latest test results.

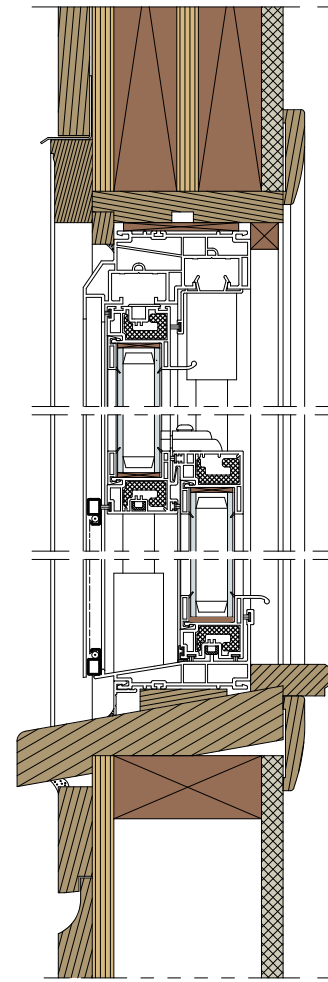
* Based on simulation

SYSTEM 700

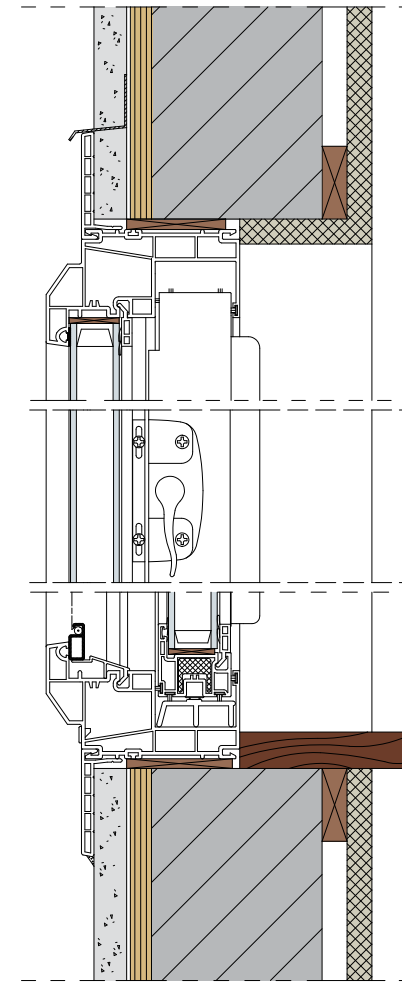
INSTALLATION DRAWINGS



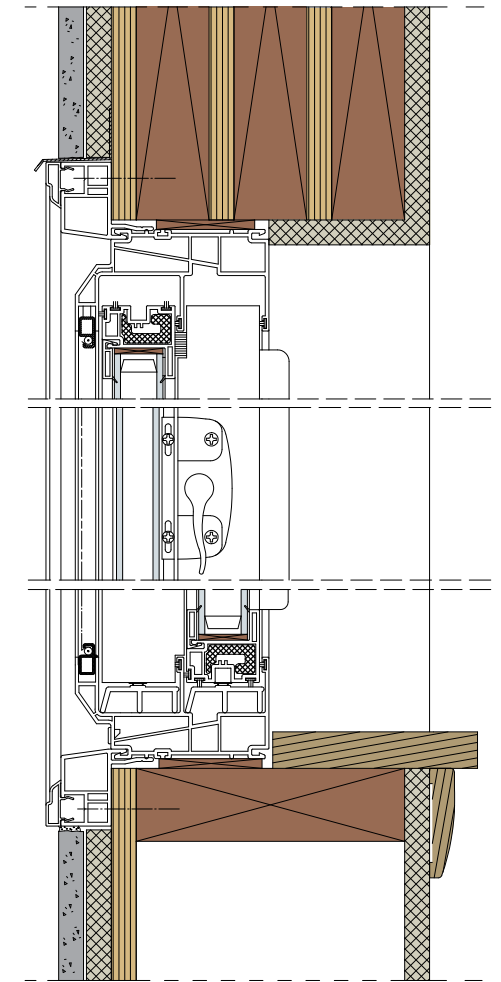
Not to scale



Not to scale



Not to scale



Not to scale

This illustration depicts suggested installation of REHAU System 700 single-hung window design with an internally glazed sash installed into a new construction 2 x 4 wood frame and brick veneer wall.

A brickmold with integral nailing flange combined with a cellular sill nosing are used for installation of the unit.

This illustration depicts suggested installation of REHAU System 700 double-hung window design with an externally glazed sash and a welded sloped sill, retrofitted into an existing wood frame wall, replacing a wood double-hung window.

This illustration depicts suggested installation of REHAU System 700 single-slider window design with an internally glazed sash retrofitted into a concrete block and stucco wall.

This shows the unit installed from the outside incorporating an applied 2 in (51 mm) stucco fin on the frame perimeter.

This illustration depicts suggested installation of REHAU System 700 double-slider window design with an externally glazed sash retrofitted into a 2 x 6 wood frame and stucco wall.

This shows the unit installed from the outside using a brickmold profile/decorative insert combination.

For updates to this publication, visit na.rehau.com/resourcecenter

The information contained herein is believed to be reliable, but no representations, guarantees or warranties of any kind are made as to its accuracy, suitability for particular applications or the results to be obtained therefrom. Before using, the user will determine suitability of the information for user's intended use and shall assume all risk and liability in connection therewith.

© REHAU 2014