



SILICONE HOSES
RAULAB FG SLIDETEC, RAUSILAM FG

RAULAB FG[®] SLIDETEC

Non talc-coated **silicone hoses** with special patented surface for improved tactile characteristics.

Suitable for applications in the food sector.

Properties:

BfR XV (Silicone), FDA Sec. 177.2600 and Regulation (EG) 1935/2004

RAU-SIK 8130, 60±5 Shore according to DIN 53505

Colour: 20900 transparent

Packaging: Coils in PE bag, 100 m per box

For packaging units see table.

Delivery time: This item can be delivered ex-works immediately.

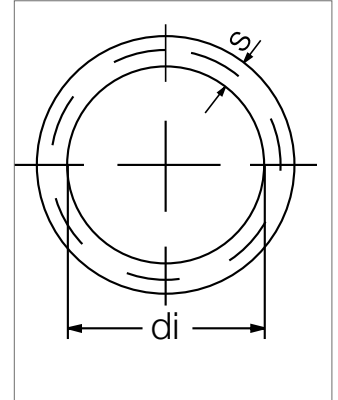
Note:

Please store hoses separately from rubber items!

Our technical delivery terms and conditions (685/109) apply. We would be happy to provide you with a copy.

Temperature range:

-60 °C to +200 °C

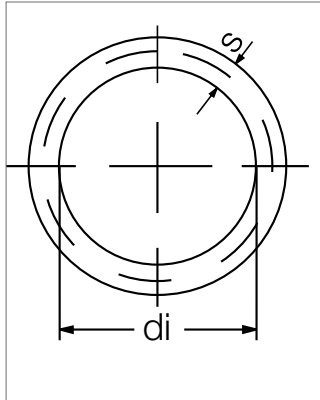


Mat. no.	di/s [mm]	Coil length [m]	Packaging unit [m]
18177011100	1/1	25	100
18177021100	2/1	25	100
18177031100	2/2	25	100
18177041100	3/1	25	100
18177051100	3/1.5	25	100
18177061100	3/2	25	100
18177071100	4/1	25	100
18177081100	4/1.5	25	100
18177091100	4/2	25	100
18177111100	5/1	25	100
18177121100	5/1.5	25	100
18177291100	5/2	25	100
18177311100	6/1	25	100
18177131100	6/1.5	25	100
18177141100	6/2	25	100
18177151100	7/1.5	25	100
18177391100	7/3	25	100
18177161100	8/1	25	100
18177171100	8/2	25	100
18177181100	8/3	25	100
18177191100	9/2	25	100
18177321100	10/1	25	100
18177211100	10/2	25	100
18177221100	10/2.5	25	100
18177451100	10/3	25	100
18177231100	12/2	25	100
18177241100	12/3	25	100
18177251100	15/3	25	100
18177361100	16/3	25	100
18177371100	20/3	25	50
18177381100	25/3	25	50

Tolerances

Inner diameter	
0.3 – 1.0 mm	± 0.1 mm
1.1 – 5.0 mm	± 0.2 mm
5.1 – 8.0 mm	± 0.3 mm
8.1 – 12.0 mm	± 0.4 mm
12.1 – 16.0 mm	± 0.5 mm
16.1 – 22.0 mm	± 0.6 mm
22.1 – 30.0 mm	± 1.0 mm
Wall thickness	
0.3 – 0.7 mm	± 0.1 mm
0.8 – 2.0 mm	± 0.2 mm
2.1 – 4.0 mm	± 0.3 mm
4.1 – 8.0 mm	± 0.4 mm

RAUSILAM FG®



Pressure hose made of silicone with reinforcement,

Suitable for applications in the food sector.

Properties:

BfR XV (Silicone), FDA Sec. 177.2600

RAU-SIK 8763 75 +/- 5 Shore A according to DIN 53505

Reinforcement: Polyester filament

Colour: Inner layers: 20900 transparent, outer layer: 15949 red

Packaging: Coils in boxes,

For packaging units see table below.

Delivery time: This item can be delivered ex-works immediately.

Note:

Please store hoses separately from rubber items! Our technical delivery terms and conditions (686/25) apply. We would be happy to provide you with a copy.

Temperature range:

-60 °C to +130 °C

Tolerances

Inner diameter	
6.0 mm	± 0.3 mm
8.0 – 9.5 mm	± 0.4 mm
12.5 mm	± 0.5 mm

Wall thickness	
3.0 – 4.0 mm	± 0.3 mm

Mat. no.	di/s [mm]	Coil length [m]	Packaging unit [m]	Burst pressure [bar/20 °C]
Typical values				
18070081100	6/3	25	100	62
18070181100	8/3.2	25	100	45
18070281100	9.5/3.7	25	100	60
18070381100	12.5/4	25	100	42

This document is protected by copyright. All rights based on this are reserved. No part of this publication may be translated, reproduced or transmitted in any form or by any similar means, electronic or mechanical, photocopying, recording or otherwise, or stored in a data retrieval system.

Our verbal and written advice with regard to usage is based on years of experience and standardised assumptions and is provided to the best of our knowledge. The intended use of REHAU products is described comprehensively in the technical product information. The latest version can be viewed at www.rehau.com/TL. We have no control over the application, use or processing of the products. Responsibility for these activities therefore remains entirely with the respective user/processor. Where claims for liability nonetheless arise, they shall be governed exclusively according to our terms and conditions, available at www.rehau.com/conditions, insofar as nothing else has been agreed upon with REHAU in writing. This shall also apply for all warranty claims, with the warranty applying to the consistent quality of our products in accordance with our specifications. Subject to technical changes.

© REHAU AG + Co
Rheniumhaus
95111 Rehau
www.rehau.com

18L700 EN 05.2018