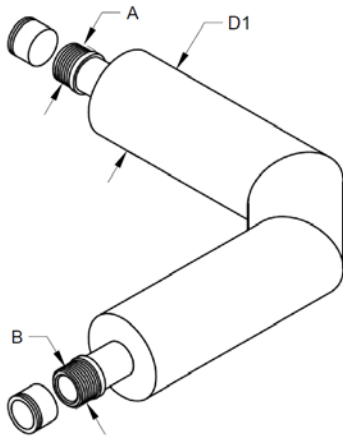


# PRODUCT SUBMITTAL 940

**Product:** INSULPEX SDR11 BEND

**Date:** 25 January 2018



Article No	Nominal Size (A x B) (mm)	Outer Jacket Outer Diameter, D1 in (mm)
209138-001	140 x 140	8.86 (225)

### TECHNICAL DESCRIPTION

Material – Carrier Pipe	Carbon steel
Material – Insulation	Closed cell polyurethane foam (PUR)
Material – Outer Jacket	HDPE black
Material – Sleeve	Bronze Rod

### FUNCTIONAL DESCRIPTION

INSULPEX bend consists of one steel pipe encased in closed-cell polyurethane (PUR) foam insulation, with a protective high-density polyethylene (HDPE) outer casing and includes sleeves. SDR11 compression-sleeve fittings are designed for hydronic distribution connections. Installation is performed with SDR11 compression-sleeve tools. Tapered end of sleeve installs toward fitting. Follow all published installation instructions. Not certified for potable water.

For updates to this publication, visit [na.rehau.com/resourcecenter](http://na.rehau.com/resourcecenter)

The information contained herein is believed to be reliable, but no representations, guarantees or warranties of any kind are made as to its accuracy, suitability for particular applications or the results to be obtained therefrom. Before using, the user will determine suitability of the information for user's intended use and shall assume all risk and liability in connection therewith.

© 2018 REHAU