

SL SLIM LINE TRUNKING

SOCKET INSTALLATION INSTRUCTIONS

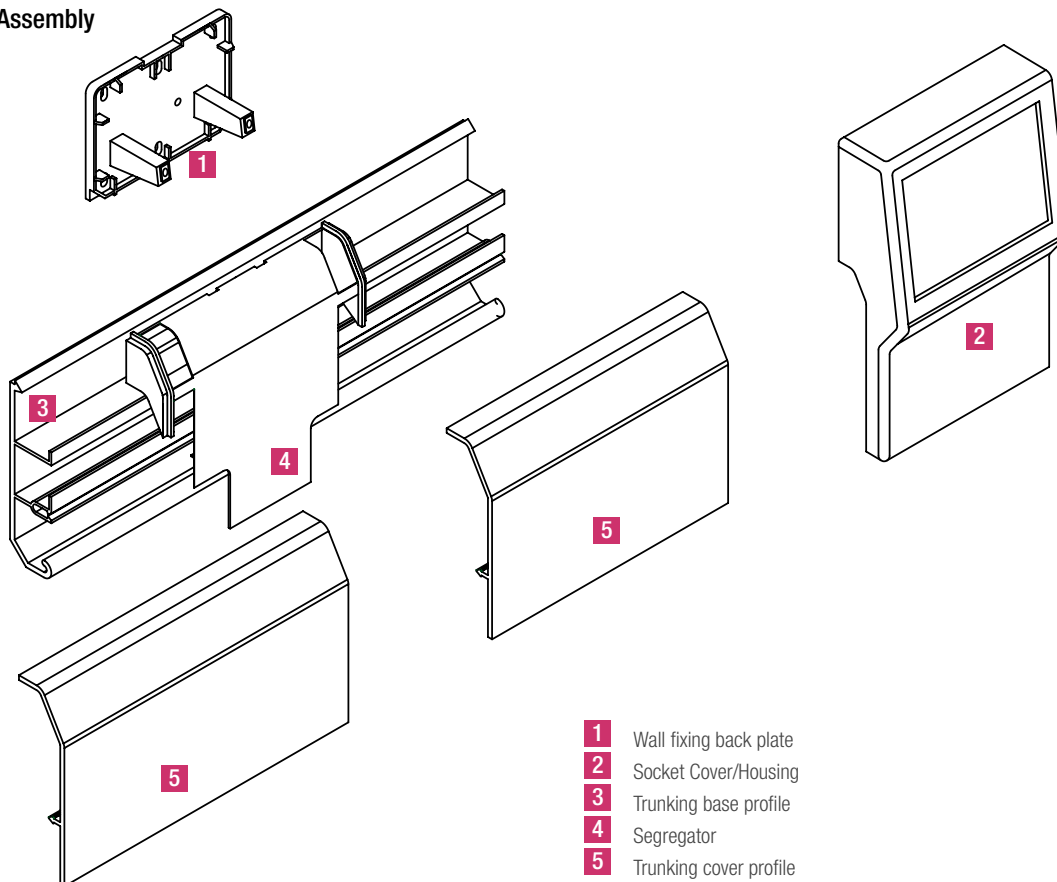
The following guidelines outline the procedure for installation of accessories as part of a SL Skirting trunking system.



To ensure a safe installation, this product must be installed and maintained by a competent person in accordance with requirements of the 16th Edition of the IEE Wiring Regulations (BS 7671). Before attempting any installation, it must be verified that all systems have been isolated.

- Determine the desired accessory location and clip the segregator onto the trunking base. (In the case of SL 70/20 the sides of the segregator must be snapped off prior to fitting). A minimum gap of 30mm should be left when installing accessories next to each other
- The wall fixing back plate can then be positioned by aligning the location pips with the holes in the top of the segregator. This allows marking of the wall fixing holes through the back plate
- Once marked the fixing holes may be drilled. Wall fixing using 6mm diameter rawlplugs and screws with a maximum diameter of 4.5mm is recommended
- Appropriate knockouts can then be removed to allow feeding of cables through the segregator. Ensure sufficient cable to allow proper termination of the accessory
- The socket housing may then be fitted. This clips to the trunking base and is retained by fixing the accessory faceplate
- Once accessory installation is complete the trunking covers may be fitted to complete the installation

SL Socket Assembly



- 1 Wall fixing back plate
- 2 Socket Cover/Housing
- 3 Trunking base profile
- 4 Segregator
- 5 Trunking cover profile